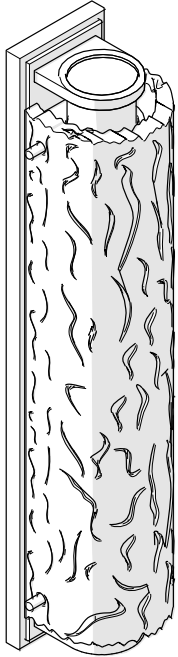
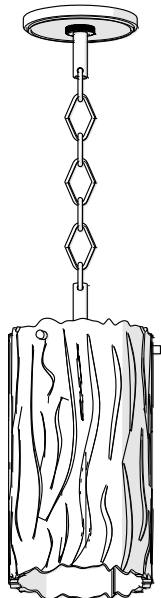


Style No. MNLTO1
[MNO1LT]
Wall Mounted Single
Sconce with Glass Shade

Style No. MNLTO2
[MNO2LT]
Wall Mounted Double
Sconce with Glass Shade



Style No. MNLTO3 [MNO3LT]
Ceiling Mounted Pendant with Glass Shade



* All items in [BRACKETS] refer to UK styles

SPECIFICATIONS:

Bulb Base Size: E26 [E27]

Bulb Type for MNLTO1 [MNO1LT]: 5.5" T10

Bulb Type for MNLTO2 [MNO2LT] / MNLTO3 [MNO3LT]:
8.5" T10

Junction Box Orientation: Any

Junction Box Size for MNLTO1 [MNO1LT] / MNLTO2
[MNO2LT]: Gem Box

Junction Box Size for MNLTO3 [MNO3LT]: Standard 3-1/2"

Max Wattage for MNLTO1 [MNO1LT] and MNLTO2
[MNO2LT]: 60 Watt

Max Wattage for MNLTO3 [MNO3LT]: 75 Watt

Orientation for MNLTO1 [MNO1LT] / MNLTO2 [MNO2LT]:
Wall Only

Orientation for MNLTO3 [MNO3LT]: Ceiling Only

Shade Material: Glass

Voltage: 120 [240]

Required Electrical Feeds:

US: Black "Hot" wire; White "Neutral" wire; Green or Bare
"Ground" wire

UK: [Brown "Line" wire; Blue "Neutral" wire; Green/Yellow
Striped or Bare "Earth" wire]

IMPORTANT:

- **WARNING:** The power supply must be turned off prior to installation. Turn off the main electrical supply to the junction box from the fuse box/circuit breaker. Turning power off at the switch is not sufficient.
- To ensure this product is installed properly, you must read and follow these guidelines.
- The owner/user of this product must keep this information for future reference.
- MNLTO1, MNLTO2, and MNLTO3 are U.L. certified and are suitable for damp or dry locations. The U.L. listing mark can be found on the inside of the cover plate.
- MNO1LT, MNO2LT, and MNO3LT are CE rated. Proof of CE compliance will be provided upon request.
- Be sure your installation conforms to all federal, state, and local codes.
- This product must be installed by a professional licensed electrical contractor.
- Refer to the specification and assembly drawings attached. Product is sold partially assembled but shown fully disassembled for illustrative and service purpose only.
- Max wattage for MNLTO1 [MNO1LT] and MNLTO2 [MNO2LT] is 60 watts for incandescent T10 base light bulbs. Max wattage for MNLTO3 [MNO3LT] is 75 watts for incandescent T10 base light bulbs.

These guidelines have been prepared for the professional contractor to aid in the installation of:
MARLON WALL MOUNTED SINGLE SCONCE / DOUBLE SCONCE WITH GLASS SHADE (STYLE# MNLTO1 / MNLTO2
[MNO1LT / MNO2LT]) & MARLON CEILING MOUNTED PENDANT WITH GLASS SHADE (STYLE# MNLTO3 [MNO3LT]).
All dimensions are based on original specification and are subject to change and variation.
Please consult your Design Associate for current specifications.

WATERWORKS

MNLT01 [MN01LT] SCONCE INSTALLATION:

- **REQUIRED:** Install a Gem Box electrical junction box at the desired height.
- See Figure - 01 for Steps 1 - 6.

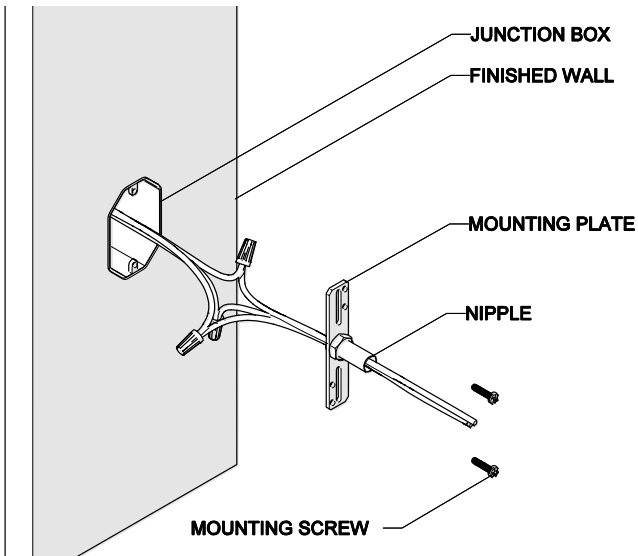


FIGURE - 01

1. Remove the MOUNTING PLATE by unthreading the MOUNTING CAP from the back plate.
 2. Pull the wires from the light through the center of the MOUNTING PLATE.
 3. Fasten the bare copper fixture wire to the green or bare copper wire in the box with a wire nut or fasten it to the MOUNTING PLATE with the ground screw provided.
 4. Fasten the white fixture wire to the white wire in the box with a wire nut. Tightly wrap the connection with electrical tape beginning 1" [25mm] below the wire nut to ensure the tape seals the end of the nut. Make sure that there are no exposed wires that could cause a short circuit.
 5. Repeat previous step with the black fixture wire and the black wire from the junction box. Make sure the wires are pushed into the junction box.
 6. Attach the MOUNTING PLATE to the JUNCTION BOX using the MOUNTING SCREWS making sure to keep the proper alignment of the plate.
- See Figure - 02 for Step 7.

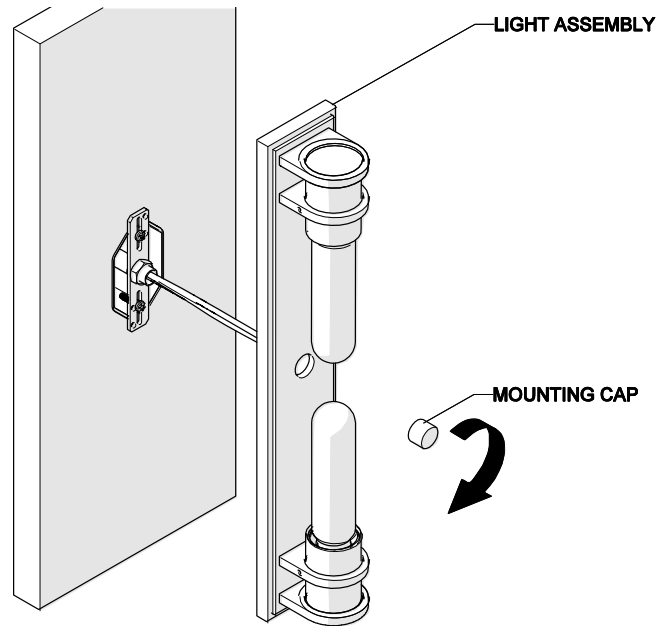


FIGURE - 02

7. Use the MOUNTING CAP to secure the LIGHT ASSEMBLY to the wall. Thread the MOUNTING CAP to the NIPPLE of the MOUNTING PLATE.
- See Figure - 03 for Step 8.

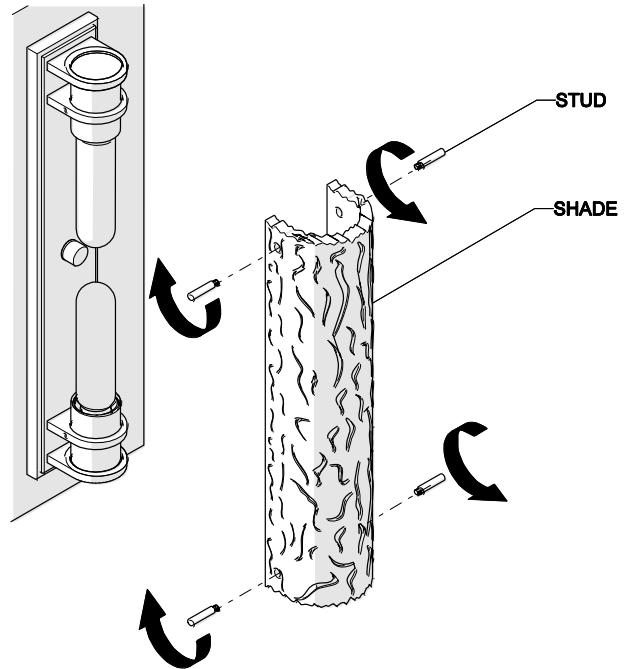


FIGURE - 03

8. Secure the SHADE to the LIGHT ASSEMBLY by screwing in the STUDS on either side of the SHADE.

These guidelines have been prepared for the professional contractor to aid in the installation of:
MARLON WALL MOUNTED SINGLE SCONCE / DOUBLE SCONCE WITH GLASS SHADE (STYLE# MNLT01 / MNLT02
[MN01LT / MN02LT]) & MARLON CEILING MOUNTED PENDANT WITH GLASS SHADE (STYLE# MNLT03 [MN03LT]).
All dimensions are based on original specification and are subject to change and variation.
Please consult your Design Associate for current specifications.

WATERWORKS

MNLT02 [MN02LT] SCONC INSTALLATION:

- **REQUIRED:** Install a Gem Box electrical junction box at the desired height.
- See Figure - 04 for Steps 9 - 14.

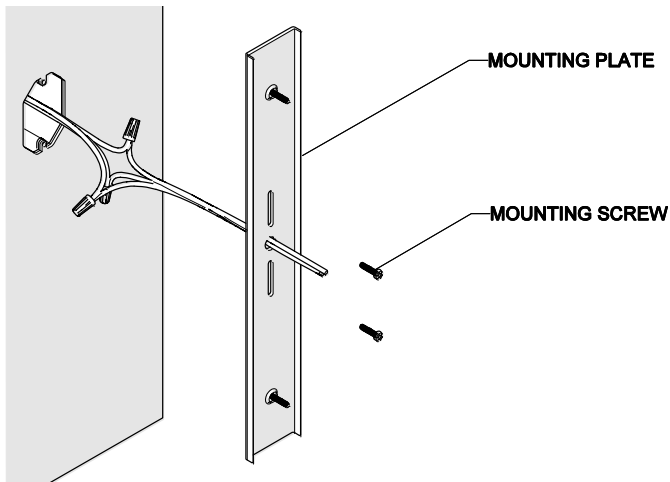


FIGURE - 04

9. Remove the MOUNTING PLATE by unthreading the STUD CAPS from the FRAME ASSEMBLY.
 10. Pull the wires from the light through the center of the MOUNTING PLATE.
 11. Fasten the bare copper fixture wire to the green or bare copper wire in the box with a wire nut or fasten it to the MOUNTING PLATE with the ground screw provided.
 12. Fasten the white fixture wire to the white wire in the box with a wire nut. Tightly wrap the connection with electrical tape beginning 1" [25mm] below the wire nut to ensure the tape seals the end of the nut. Make sure that there are no exposed wires that could cause a short circuit.
 13. Repeat previous step with the black fixture wire and the black wire from the junction box. Make sure the wires are pushed into the junction box.
 14. Attach the MOUNTING PLATE to the JUNCTION BOX using the MOUNTING SCREWS making sure to keep the proper alignment of the plate.
- See Figure - 05 for Step 15.

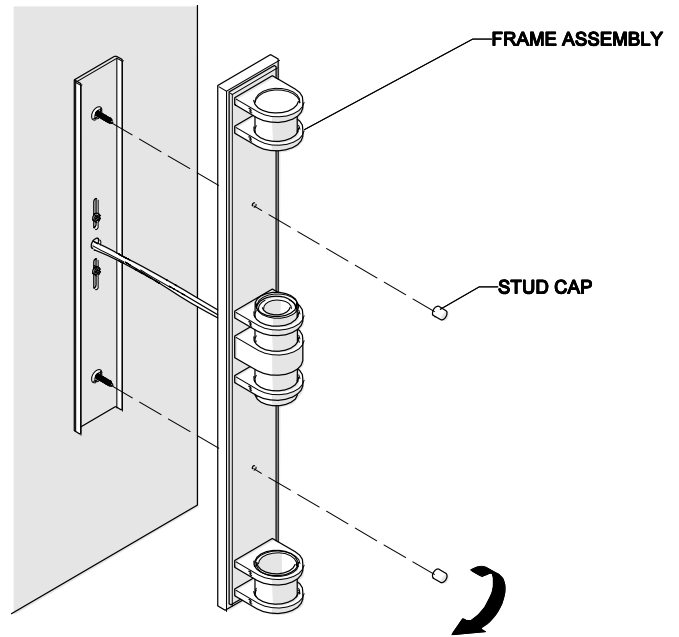


FIGURE - 05

15. Use the STUD CAPS to secure the FRAME ASSEMBLY to the MOUNTING PLATE.
- See Figure - 06 for Step 16.

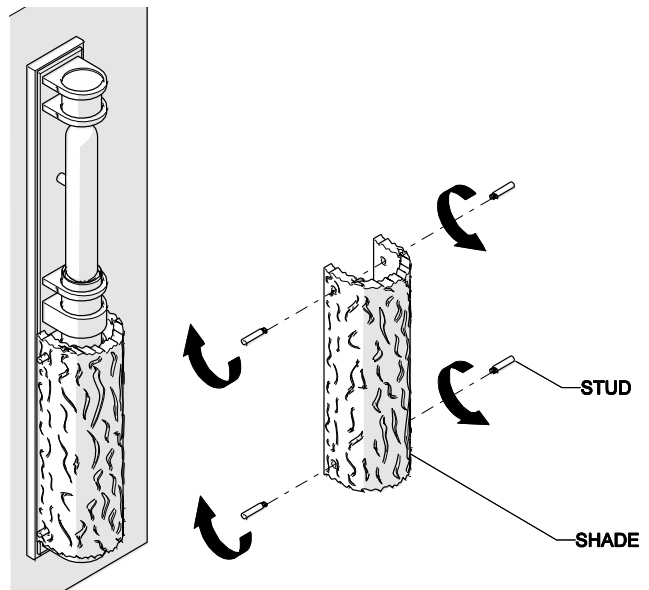


FIGURE - 06

16. Secure the SHADES to the LIGHT ASSEMBLY by screwing in the STUDS on either side of both SHADES.

These guidelines have been prepared for the professional contractor to aid in the installation of:
MARLON WALL MOUNTED SINGLE SCONCE / DOUBLE SCONCE WITH GLASS SHADE (STYLE# MNLT01 / MNLT02 [MN01LT / MN02LT]) & MARLON CEILING MOUNTED PENDANT WITH GLASS SHADE (STYLE# MNLT03 [MN03LT]).
 All dimensions are based on original specification and are subject to change and variation.
 Please consult your Design Associate for current specifications.

WATERWORKS

CEILING MOUNTED INSTALLATION:

- **REQUIRED:** Install a 3-1/2" octagonal electrical junction box at the desired location.
- See Figure - 07 for Steps 17 - 18.

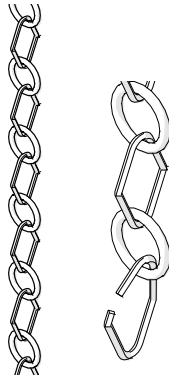


FIGURE - 07

17. To adjust the CHAIN to the desired height, spread open a link and remove excess links until the desired height is achieved.
 18. Reinstall links at desired height and cut any excess wire.
- See Figure - 08 for Steps 19 - 23.

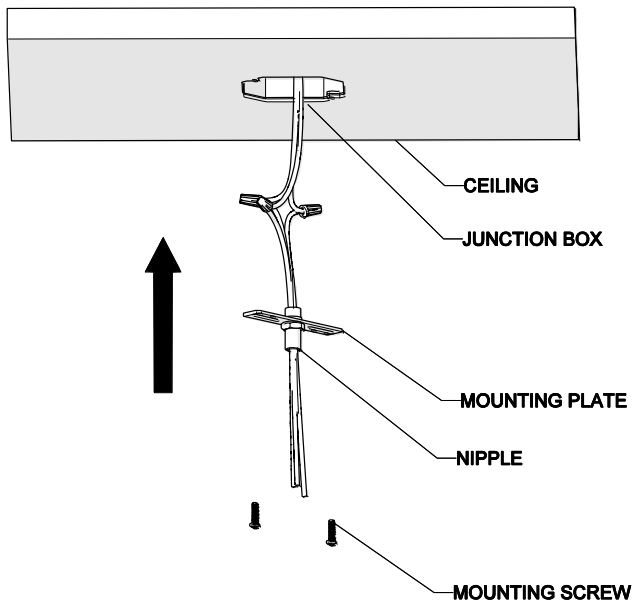


FIGURE - 08

19. Pull the wires from the light through the center of the MOUNTING PLATE.
20. Fasten the bare copper fixture wire to the green or bare copper wire in the box with a wire nut or fasten it to the MOUNTING PLATE with the ground screw provided.

21. Fasten the white fixture wire to the white wire in the box with a wire nut. Tightly wrap the connection with electrical tape beginning 1" [25mm] below the wire nut to ensure the tape seals the end of the nut. Make sure that there are no exposed wires that could cause a short circuit.
 22. Repeat previous step with the black fixture wire and the black wire from the junction box. Make sure the wires are pushed into the junction box.
 23. Attach the MOUNTING PLATE to the JUNCTION BOX using the MOUNTING SCREWS making sure to keep the proper alignment of the plate.
- See Figure - 09 for Step 24.

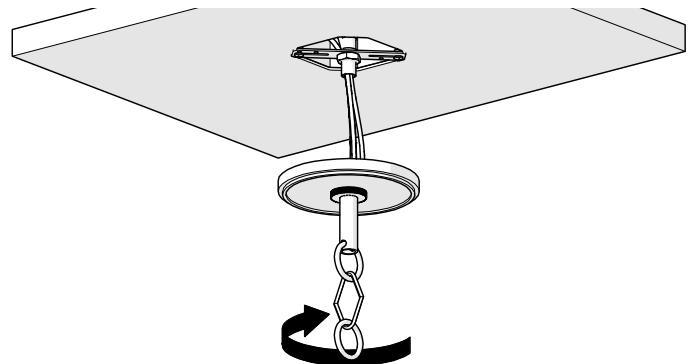


FIGURE - 09

24. Thread the LIGHT ASSEMBLY to the NIPPLE on the MOUNTING PLATE making sure it's secure.

These guidelines have been prepared for the professional contractor to aid in the installation of:
 MARLON WALL MOUNTED SINGLE SCONCE / DOUBLE SCONCE WITH GLASS SHADE (STYLE# MNLT01 / MNLT02
 [MN01LT / MN02LT]) & MARLON CEILING MOUNTED PENDANT WITH GLASS SHADE (STYLE# MNLT03 [MN03LT])
 All dimensions are based on original specification and are subject to change and variation.
 Please consult your Design Associate for current specifications.

WATERWORKS

SERVICING THE LIGHT:

- See Figure - 10 for Step 25.
- 25. Unscrew the THREADED TUBES or STUDS and remove the SHADE to gain access to the BULB for cleaning and servicing.
- If further assistance is required, please contact Product Support at 1-800-927-2120 (8am-6pm EST).

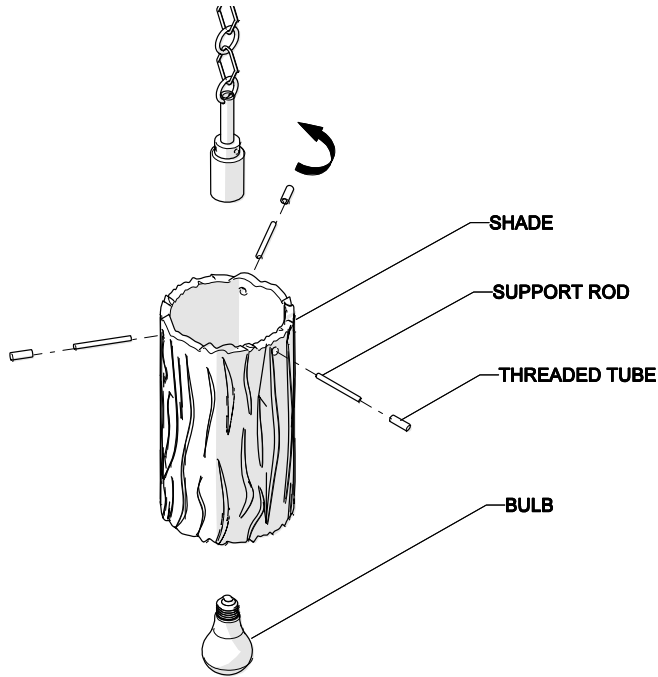


FIGURE - 10

These guidelines have been prepared for the professional contractor to aid in the installation of:
MARLON WALL MOUNTED SINGLE SCONCE / DOUBLE SCONCE WITH GLASS SHADE (STYLE# MNLTO1 / MNLTO2
(MNO1LT / MNO2LT)) & MARLON CEILING MOUNTED PENDANT WITH GLASS SHADE (STYLE# MNLTO3 (MNO3LT))
All dimensions are based on original specification and are subject to change and variation.
Please consult your Design Associate for current specifications.

W A T E R W O R K S