

## EASTON

EAST04

Easton Metal / Vinyl Rectangular Stool 18" x 10" x 16 1/2"



SHOWN IN EASTON METAL / VINYL RECTANGULAR STOOL 18" X 10" X 16 1/2" EAST04

### TECHNICAL DETAILS

Adjustable Levelers / Feet: N  
Depth / Width: 254 mm  
Height: 419 mm  
Length: 457 mm  
Primary Material: Metal / Vinyl  
Suggested Application: All Applications

### INSPIRATION

Drawing on Edwardian style, Easton is the most extensive Waterworks family; a range of moods and a selection of products from fittings to furniture.

### PRODUCT FEATURES

18" x 10" x 16 1/2"  
Brass Frame  
Nickel Finish  
Moisture Resistant

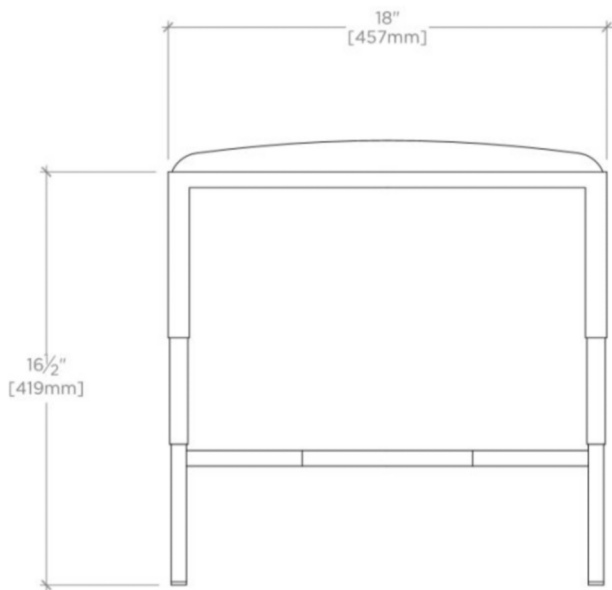
EASTON

EAST04

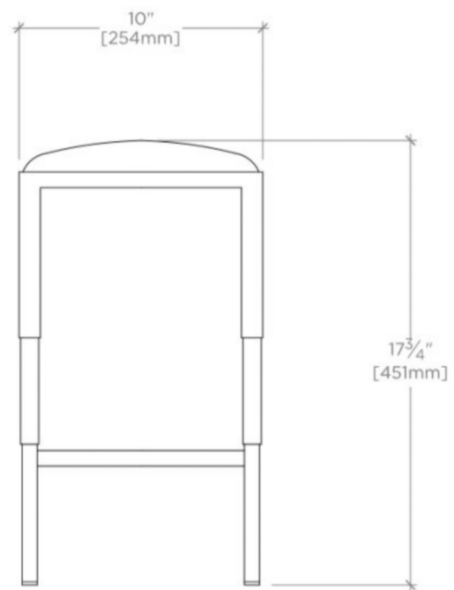
Easton Metal / Vinyl Rectangular Stool 18" x 10" x 16 1/2"



TOP VIEW SCALE: 1-1/2"=1'-0"



FRONT VIEW SCALE: 1-1/2"=1'-0"



SIDE VIEW SCALE: 1-1/2"=1'-0"