

AERO

Aero Wall Mounted Tub Spout

AE82TS



SHOWN IN AERO WALL MOUNTED TUB SPOUT | AETS82

TECHNICAL DETAILS

Adjustable versus Fixed Spray: Fixed Spray
Escutcheon Primary Material: Brass
Fittings Hole Diameter: 35 mm
Depth / Width: 203 mm
Height: 64 mm
Inlet Connection Size: 3/4"
Inlet Connection Type: Male G/BSPP
Installation Type: Wall Mounted
Length: 64 mm
Primary Material: Brass
Spout Swivel: N
Suggested Application: Bath
Water Pressure Maximum: 5.5 bar
Water Pressure Minimum: 1.5 bar
Water Pressure Recommended: 3.0 bar

INSPIRATION

Inspired by the stepped detail of 19th century telescopes, Aero is a combination of historical reference with a contemporary temperament. The result is original and modern, bringing a look of updated elegance.

CODES & STANDARDS

Code # : ASME A112.18.1, CSA B125, IAPMO, State of MA

PRODUCT FEATURES

Features signature stepped and gadrooned details on escutcheons and edge of spout

Stocked in Chrome and Nickel

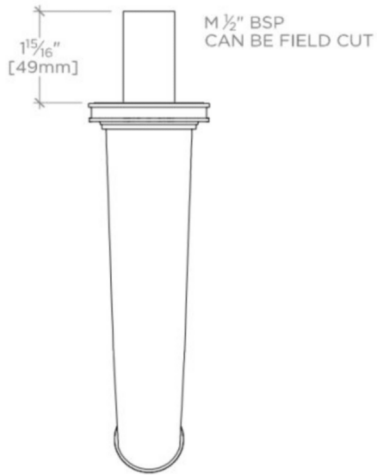
Unrestricted flow for quick filling of a bathtub

AERO

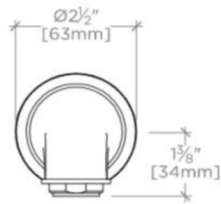
Aero Wall Mounted Tub Spout

AE82TS

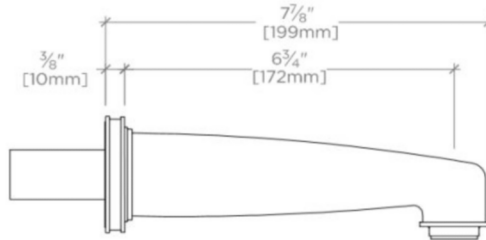
ADAPTER(S) PACKAGED SEPARATELY		
ADAPTER	DESCRIPTION	QTY
UNUK06	$\frac{3}{4}$ " NPT Male x $\frac{3}{4}$ " Male Nipple 50mm Long BSP	1



TOP VIEW SCALE: 3"=1'-0"



FRONT VIEW SCALE: 3"=1'-0"



SIDE VIEW SCALE: 3"=1'-0"