

CANDIDE

CDBT19

Candide 65" x 28" x 28" Freestanding Oval Cast Iron Bathtub



TECHNICAL DETAILS

ADA Compliance: No
Adjustable Levelers / Feet: N
Bathing Type: Bathing and Soaking
Drilling Option: None
Depth / Width: 28"
Height: 28"
Installation Type: Freestanding
Item Weight (Filled): 1067.0 pounds
Length: 65"
Number of Feet: Four
Outer Rim Shape: Oval
Overflow Opening: Yes
Primary Material: Cast Iron
Single or Double Ended: Double Ended
Sound Proofing: N
Stain Resistance: N
Suggested Application: Bath

INSPIRATION

The slender and streamlined curves of the Candide are accentuated as she stands on her molded base. Candide embodies the beauty of classic French boat tubs.

CODES & STANDARDS

Code # WWBT19:

PRODUCT FEATURES

Constructed of the finest cast iron with pure white enamel interior.

Double ended and wider for added comfort and easy installation.

Available with optional slip resistant bottom, a built in safety feature.

The exterior of primed bathtubs must be finished with a high quality paint before installation.

Due to the manual finishing process, burnished bathtubs will show variation in the amount of exterior finish distress.

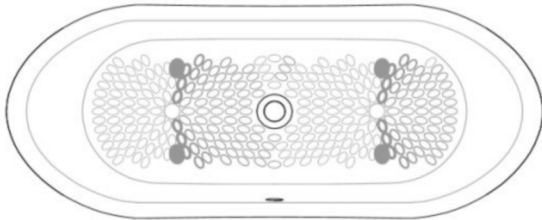
PRODUCT (NOTES)

Dimensions of fixtures are nominal. Measure your actual product for rough-in details.

CANDIDE

CDBT19

Candide 65" x 28" x 28" Freestanding Oval Cast Iron Bathtub



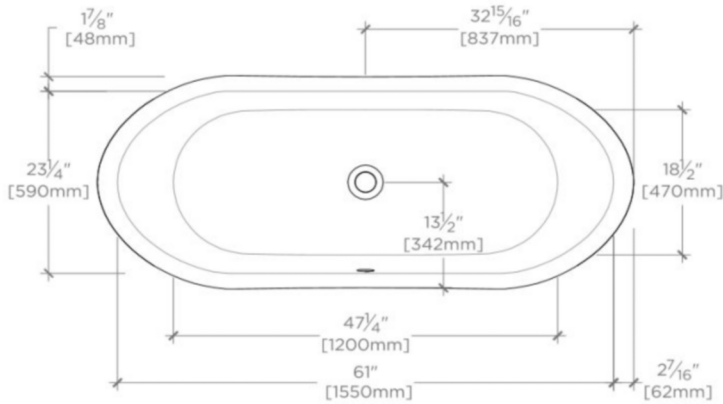
OPTIONAL SLIP RESISTANT

SCALE: 1/2"=1'-0"

RECOMMENDED WASTE & OVERFLOW STYLE #:

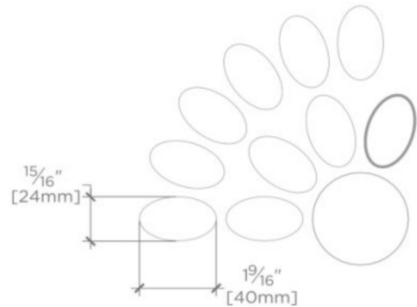
This Uses the UNWO10 Waste and Overflow

Dimensional Tolerance	
> 7/8"	± 0.8%
[200mm]	
< 7/8"	± 1.8%
[200mm]	



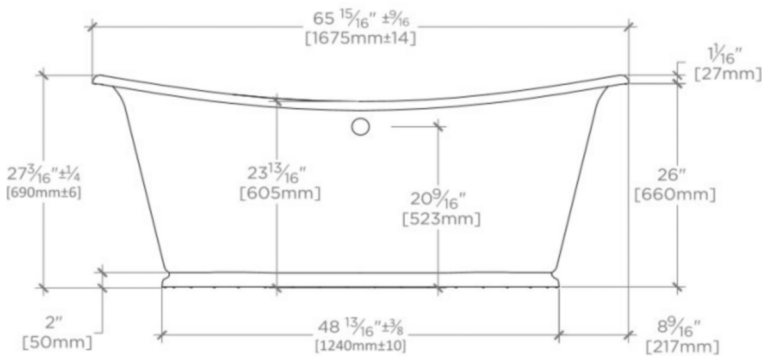
TOP VIEW

SCALE: 1/2"=1'-0"



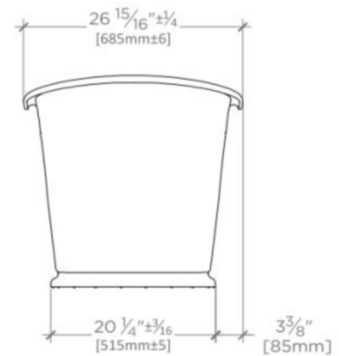
SLIP RESISTANCE PATTERN

SCALE: 3"=1'-0"



SIDE VIEW

SCALE: 1/2"=1'-0"



END VIEW

SCALE: 1/2"=1'-0"