

WATERWORKS

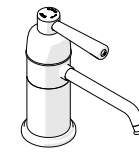
INSTALLATION GUIDELINES

IMPORTANT

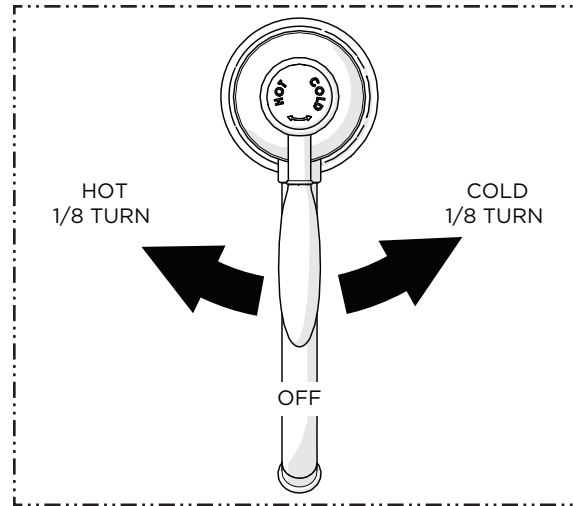
- To ensure this product is installed properly, you must read and follow these guidelines.
- The owner/user of this product must keep this information for future reference.
- This product must be installed by a professional licensed contractor.
- Be sure your installation conforms to federal, state, and local codes. In the State of Massachusetts, all installations must comply with the rules and regulations set forth within 248 CMR.
- Inspect this product to ensure you have all the parts required for proper installation. Product is sold partially assembled but shown fully disassembled for illustrative and service purposes only.
- Water may drip from the SPOUT for a few minutes after shut off due to the Hot Water Tank [SOLD SEPARATELY] bringing the water back to the set temperature.
- Use only a strap wrench or protected/smooth-jaw wrench on any finished surface.
- The use of certain plumber's putty may stain stone or tile surfaces.
- If further assistance is required, please contact Product Support at 1-800-927-2120 Monday through Friday, 8am - 6pm EST.
- Refer to the separate Service Parts Documents for available replacement parts.



STYLE No. UNWD10
Universal Traditional One Hole
Instant Hot and Filtered Cold
Water Dispenser with Metal
Lever Handle

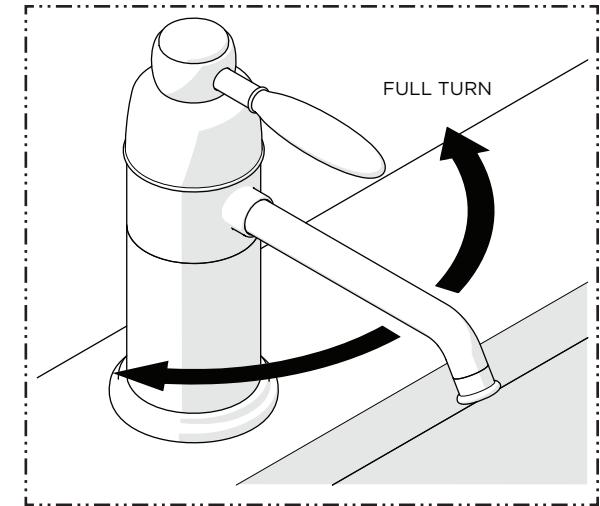


STYLE No. UNWD30
Universal Industrial One Hole
Instant Hot and Filtered Cold
Water Dispenser with Metal
Lever Handle

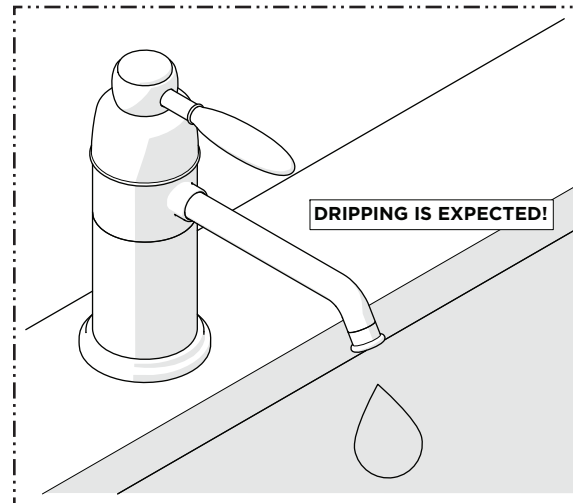


USER GUIDE

- **HANDLE:** with 1/8 turn each way

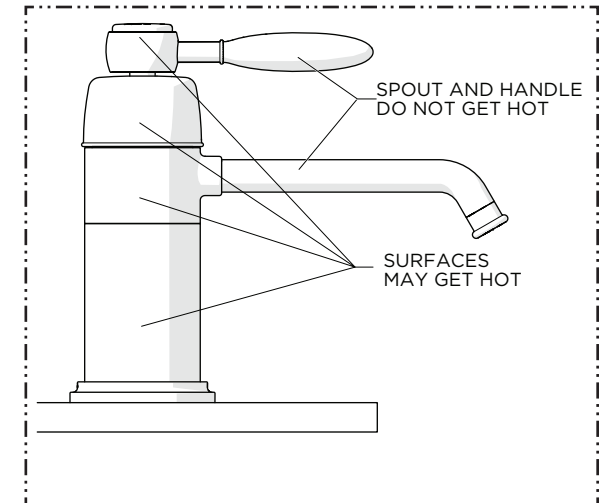


- **SPOUT** features full turn



- **DRIPPING IS EXPECTED!**

Occasional dripping from the spout is expected and is necessary safety feature to prevent pressure buildup in the hot water tank.



CAUTION!

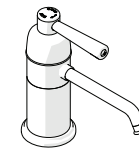
- **BODY MAY HEAT UP WHEN TAP IS CONTINUOUSLY RUNNING HOT WATER.**

WATERWORKS

INSTALLATION GUIDELINES



STYLE No. UNWD10
 Universal Traditional One Hole
 Instant Hot and Filtered Cold
 Water Dispenser with Metal
 Lever Handle



STYLE No. UNWD30
 Universal Industrial One Hole
 Instant Hot and Filtered Cold
 Water Dispenser with Metal
 Lever Handle

TECHNICAL DETAILS

DETAIL	SPECIFICATION
OUTLET CONNECTION (TO HOT WATER TANK)	1/4" TUBE O.D.
INLET CONNECTION (FROM HOT WATER TANK)	3/8" COMPRESSION BARB
INLET CONNECTION (FROM WATER FILTER)	1/4" TUBE O.D.
HANDLE TURN ANGLE	1/8 TURN EACH WAY
SPOUT REACH	5-5/8" [143mm]
SPOUT SWIVEL	YES
WATER PRESSURE RANGE	20psi [1.5 bar] MIN 85psi [6.0 bar] MAX
WATER PRESSURE RECOMMENDED	45psi [3.0 bar]

SOLD SEPARATELY

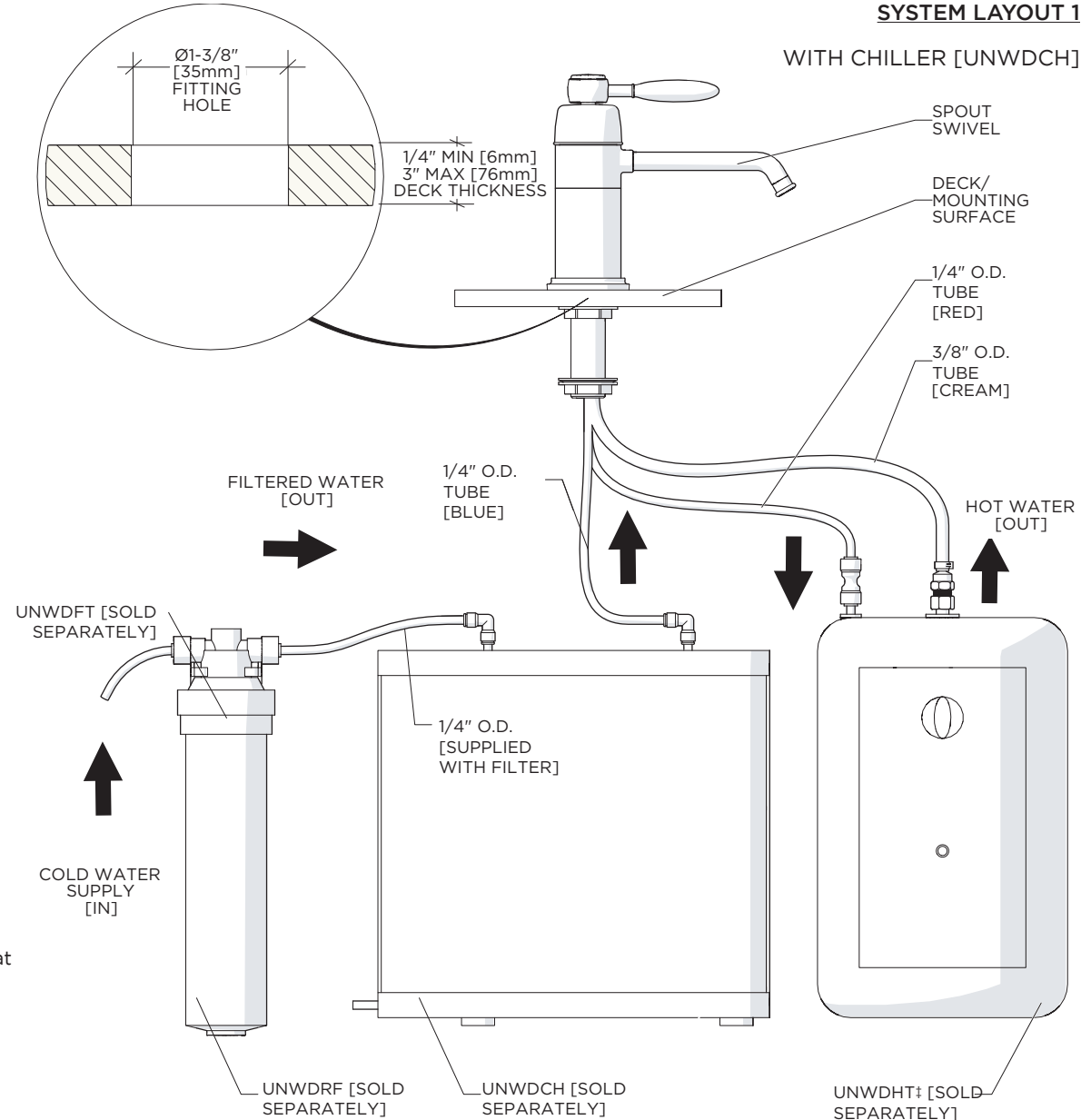
STYLE	DESCRIPTION
UNWDCH	Universal Water Chiller for Use With Water Dispenser
UNWDHT‡	Universal Hot Water Tank for Use With Water Dispenser
UNWDF‡	Universal Carbon Filtration System for Use With Water Dispenser

‡ WARNING: This product cannot be used with a Hot Water Tank that requires a dedicated vent tube. Use tanks with only 1 INLET and 1 OUTLET.

REPLACEMENT ITEMS

UNWDRF	Universal Pure Carbon Filter Replacement Cartridge
--------	--

SYSTEM LAYOUT 1

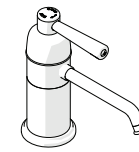


WATERWORKS

INSTALLATION GUIDELINES



STYLE No. UNWD10
 Universal Traditional One Hole
 Instant Hot and Filtered Cold
 Water Dispenser with Metal
 Lever Handle



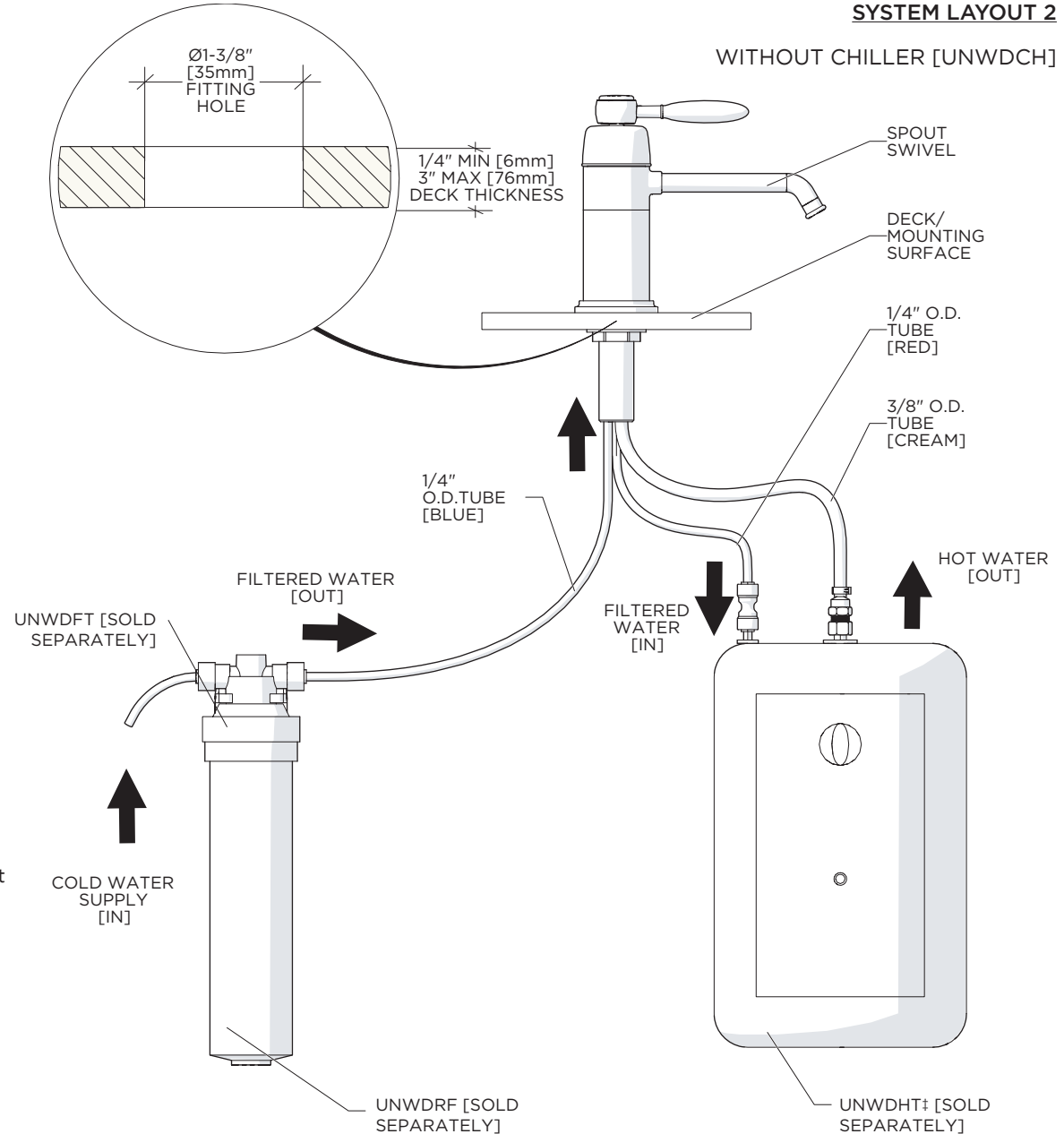
STYLE No. UNWD30
 Universal Industrial One Hole
 Instant Hot and Filtered Cold
 Water Dispenser with Metal
 Lever Handle

TECHNICAL DETAILS

DETAIL	SPECIFICATION
OUTLET CONNECTION (TO HOT WATER TANK)	1/4" TUBE O.D.
INLET CONNECTION (FROM HOT WATER TANK)	3/8" COMPRESSION BARB
INLET CONNECTION (FROM WATER FILTER)	1/4" TUBE O.D.
HANDLE TURN ANGLE	1/8 TURN EACH WAY
SPOUT REACH	5-5/8" [143mm]
SPOUT SWIVEL	YES
WATER PRESSURE RANGE	20psi [1.5 bar] MIN 85psi [6.0 bar] MAX
WATER PRESSURE RECOMMENDED	45psi [3.0 bar]

SYSTEM LAYOUT 2

WITHOUT CHILLER [UNWDCH]



SOLD SEPARATELY

STYLE	DESCRIPTION
UNWDHT‡	Universal Hot Water Tank for Use With Water Dispenser
UNWDF	Universal Carbon Filtration System for Use With Water Dispenser

‡ WARNING: This product cannot be used with a Hot Water Tank that requires a dedicated vent tube. Use Tanks with only 1 INLET and 1 OUTLET.

REPLACEMENT ITEMS

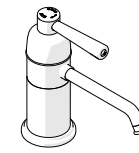
UNWDRF	Universal Pure Carbon Filter Replacement Cartridge
--------	--

WATERWORKS

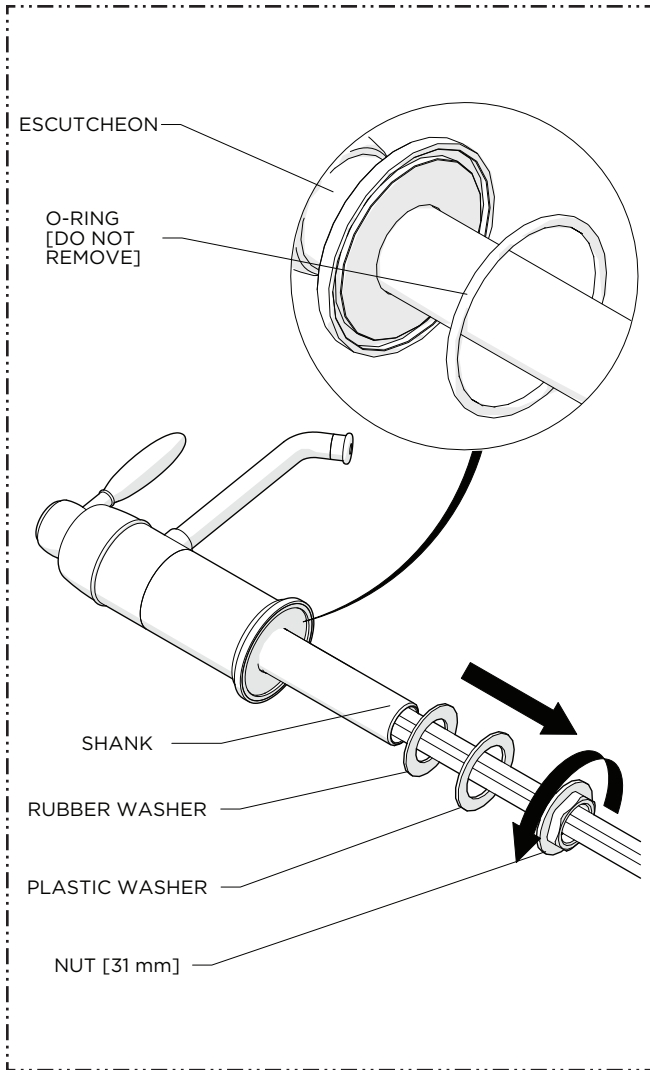
INSTALLATION GUIDELINES



STYLE No. UNWD10
 Universal Traditional One Hole
 Instant Hot and Filtered Cold
 Water Dispenser with Metal
 Lever Handle

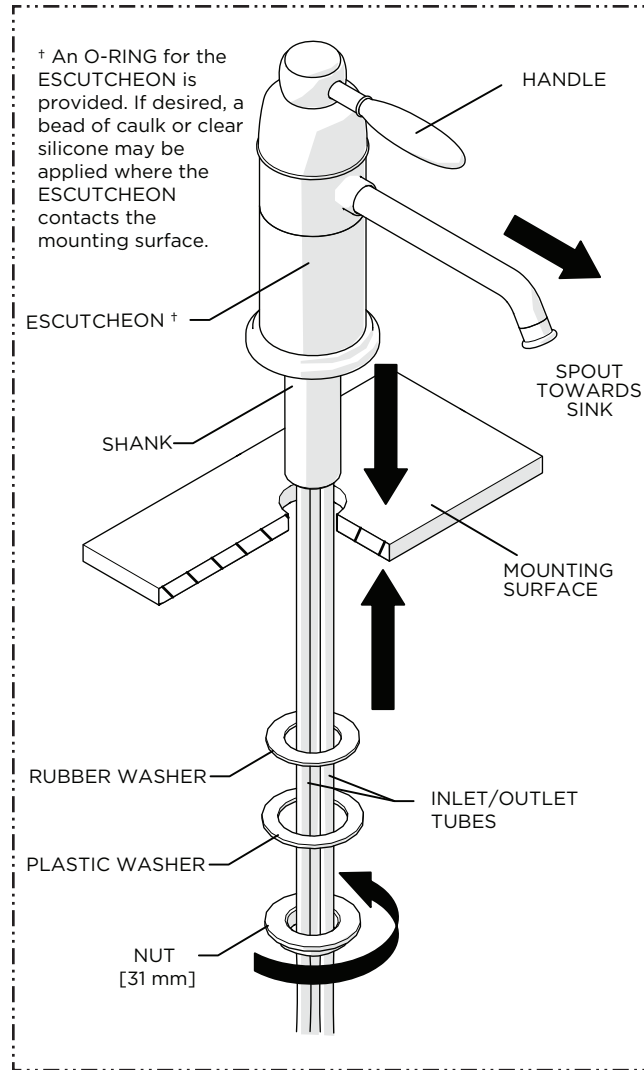


STYLE No. UNWD30
 Universal Industrial One Hole
 Instant Hot and Filtered Cold
 Water Dispenser with Metal
 Lever Handle



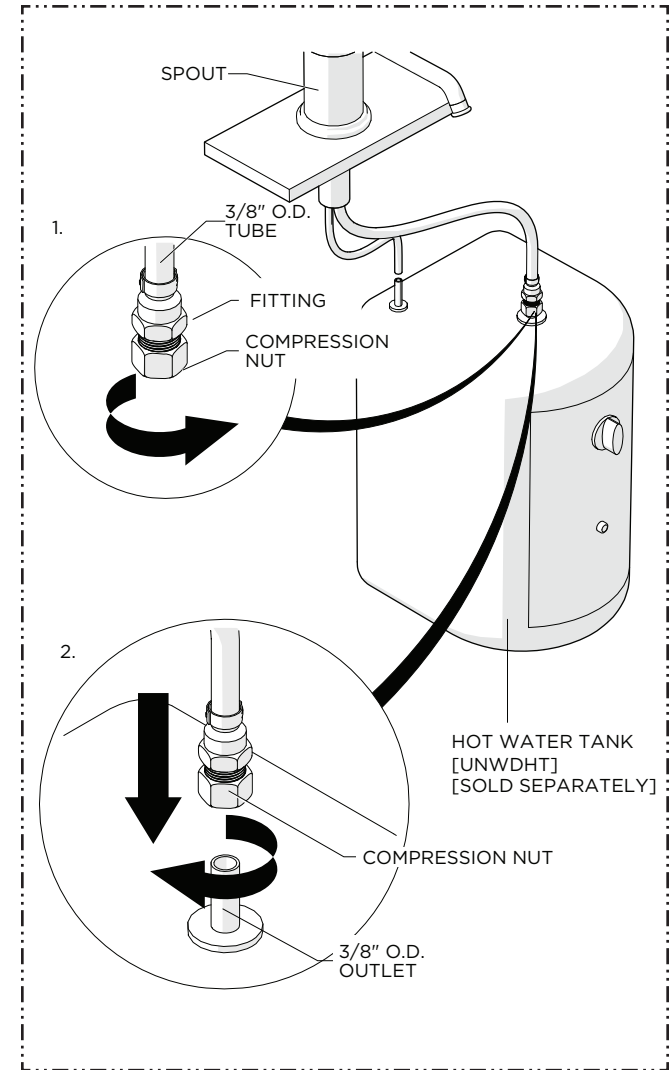
1. Unthread and remove the NUT, PLASTIC WASHER and RUBBER WASHER from the SHANK.

NOTE: Do **NOT** remove the O-RING beneath the ESCUTCHEON.



2. Insert the INLET/OUTLET TUBES and SHANK through the hole on the mounting surface. Place HANDLE in off position, line up SPOUT with HANDLE and position SPOUT over sink in desired location then re-attach the WASHERS and securely tighten the NUT.

NOTE: Do **NOT** remove the lower deck WASHERS.



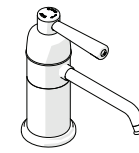
3. Untighten, but **DO NOT REMOVE**, the COMPRESSION NUT attached to the FITTING on the 3/8" O.D. TUBE. Slide the FITTING and COMPRESSION NUT over the 3/8" O.D. OUTLET from the HOT WATER TANK [SOLD SEPARATELY] and securely tighten the COMPRESSION NUT.

WATERWORKS

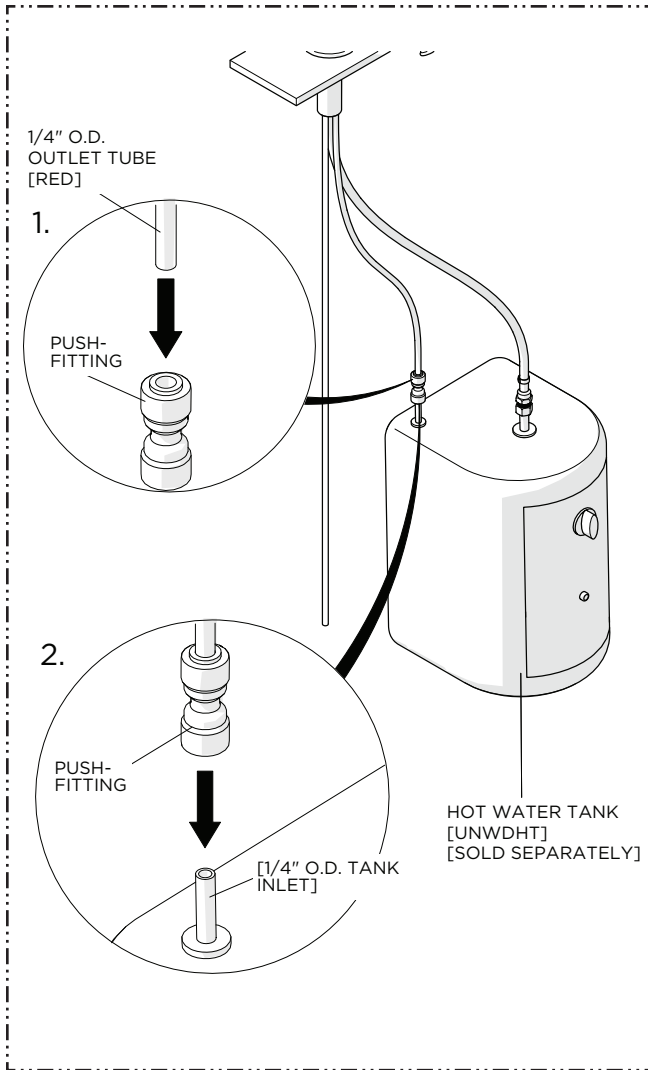
INSTALLATION GUIDELINES



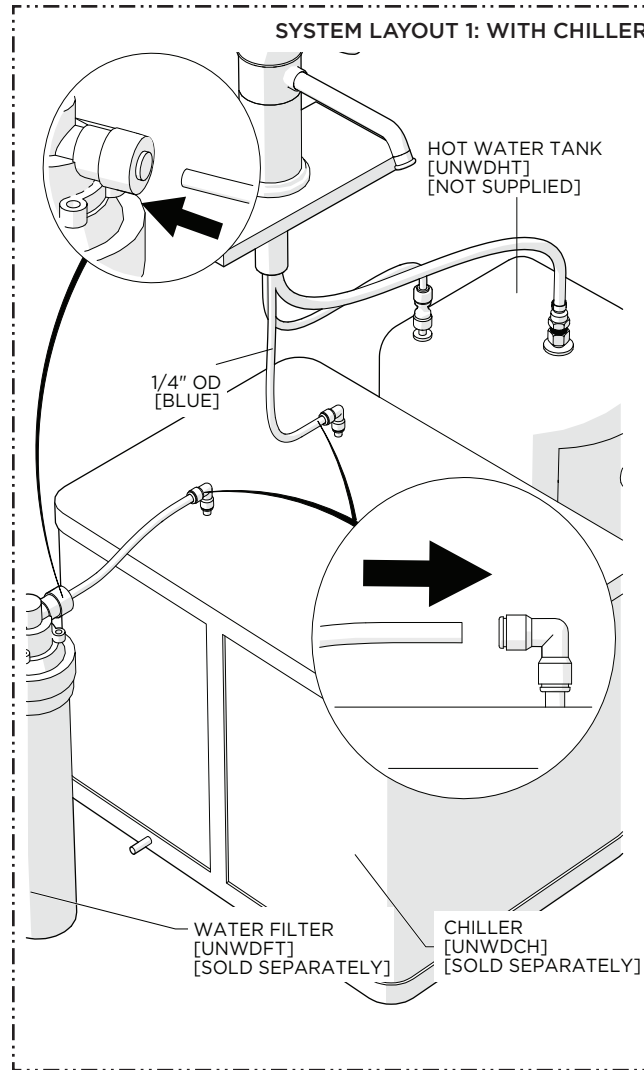
STYLE No. UNWD10
 Universal Traditional One Hole
 Instant Hot and Filtered Cold
 Water Dispenser with Metal
 Lever Handle



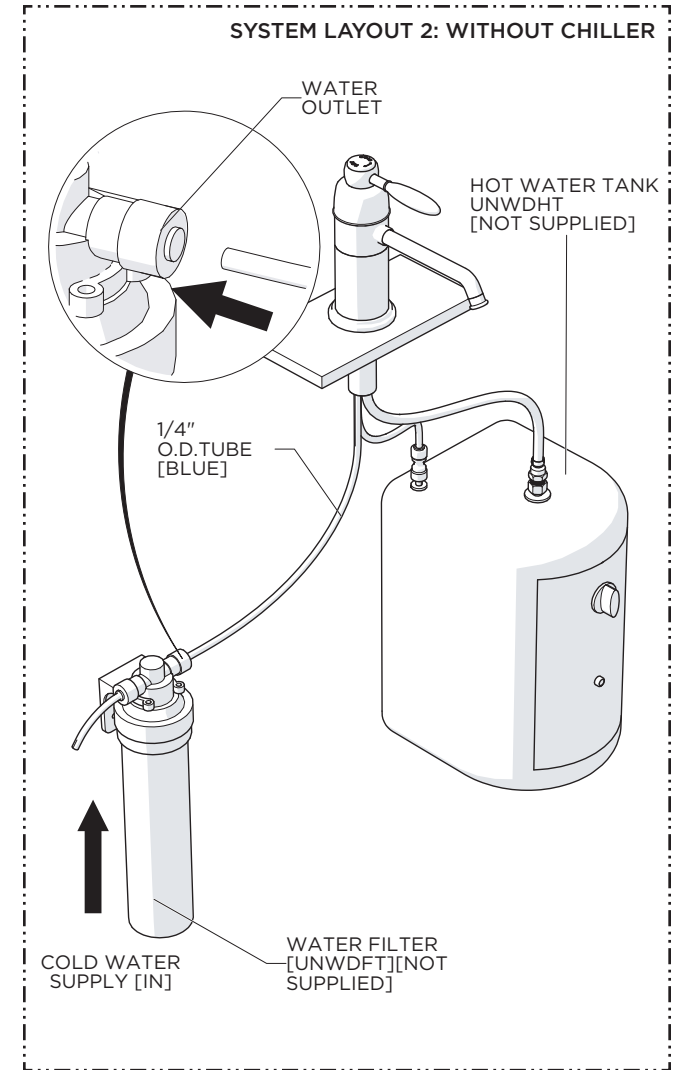
STYLE No. UNWD30
 Universal Industrial One Hole
 Instant Hot and Filtered Cold
 Water Dispenser with Metal
 Lever Handle



4. Insert the RED 1/4" O.D. OUTLET TUBE from the SPOUT into the PUSH-FITTING then connect the FITTING to the 1/4" O.D. TANK INLET.



5. **INSTALLING WITH CHILLER (SYSTEM LAYOUT 1)** Insert the BLUE 1/4" O.D. TUBE from the SPOUT into the CHILLER [SOLD SEPARATELY] 1/4" OUTLET. Insert " O.D TUBE [SUPPLIED WITH THE FILTER] from the WATER FILTER OUTLET [SOLD SEPARATELY] into the CHILLER INLET.



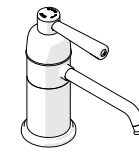
6. **INSTALLING WITHOUT CHILLER (SYSTEM LAYOUT 2)** Insert the BLUE 1/4" O.D. INLET TUBE from the SPOUT into the WATER FILTER OUTLET [SOLD SEPARATELY]

WATERWORKS

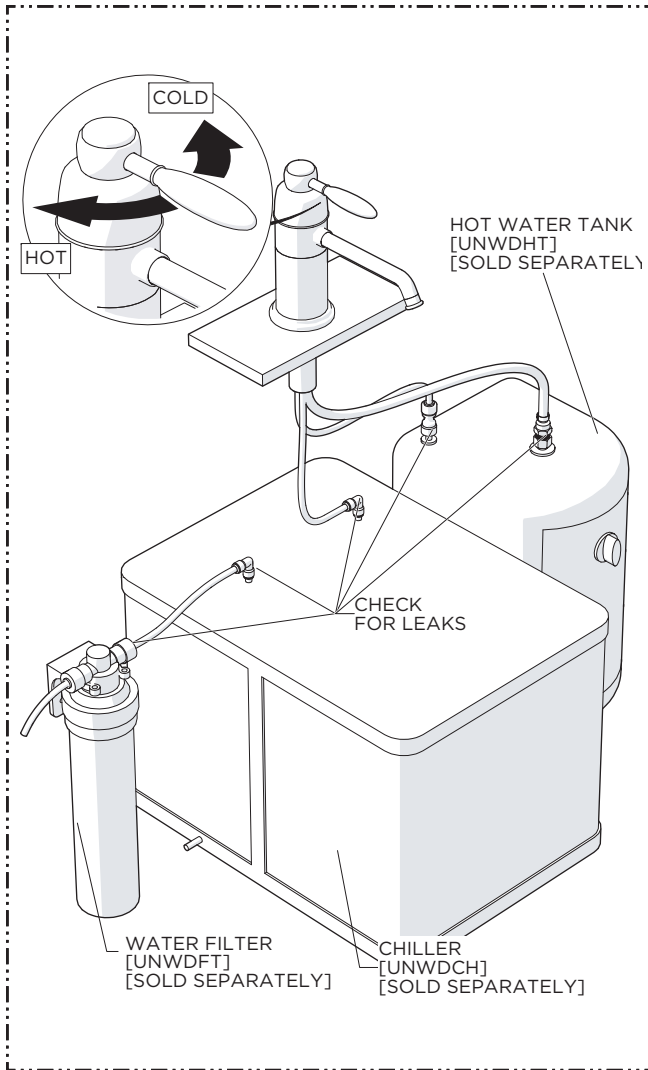
INSTALLATION GUIDELINES



STYLE No. UNWD10
 Universal Traditional One Hole
 Instant Hot and Filtered Cold
 Water Dispenser with Metal
 Lever Handle

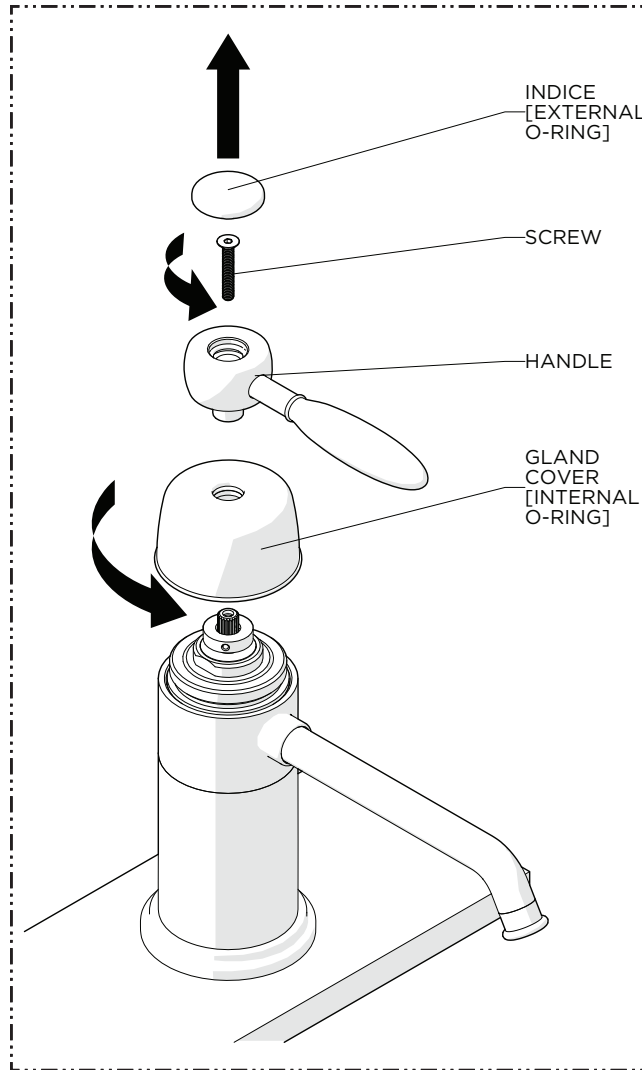


STYLE No. UNWD30
 Universal Industrial One Hole
 Instant Hot and Filtered Cold
 Water Dispenser with Metal
 Lever Handle



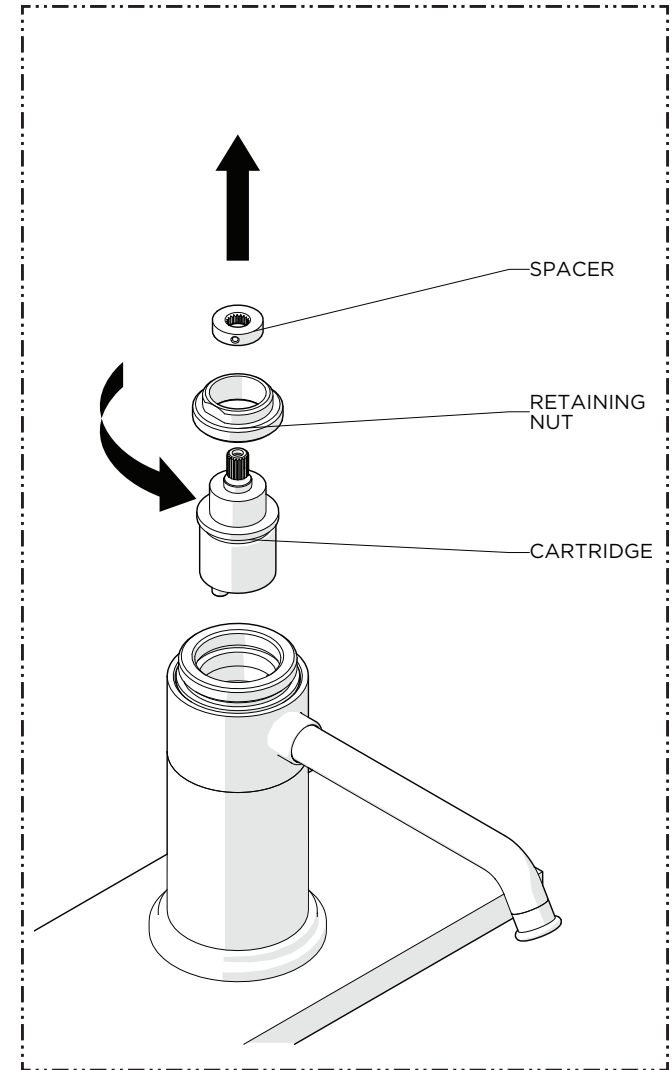
7. Turn on the water to flush out any debris in the supply lines, operate the HANDLE and SPOUT to ensure they function properly and inspect all connection for leaks.

NOTE: Water may drip from the SPOUT for a few minutes after shut off due to the HOT WATER TANK [SOLD SEPARATELY] bringing the water back to the set temperature.



SERVICING THE CARTRIDGE:

1. Remove the INDICE then unthread the SCREW, pull off the HANDLE and unthread the GLAND COVER.



2. Remove the SPACER then unthread the RETAINING NUT and remove the CARTRIDGE.

NOTE: Do **NOT** discard the SPACER.