

WATT

WLLT02

Watt Wall Mounted Single Arm Sconce with Ribbed Glass Shade



SHOWN IN WATT WALL MOUNTED SINGLE ARM SCONCE WITH RIBBED GLASS SHADE | WLLT02

TECHNICAL DETAILS

Ambient Task: Ambient
 Bulb Base Size: E26
 Bulb Type: 8.5" T10
 Depth/Width: 6 13/16"
 Escutcheon Primary Material: Brass
 Height: 15 7/16"
 Installation Type: Wall Mounted
 Interior Exterior Application: Interior Only
 Junction Box Orientation: Any
 Length: 6 7/16"
 Number Of Bulbs: One
 Primary Material: Made of Brass
 Safety Warnings: Do not exceed max wattage(75).
 Shade Material: Glass
 Suggested Application: All Applications
 Voltage: 120V
 Wet/Dry: Damp or Dry

INSPIRATION

Inspired by the countless shapes and colors of telephone pole insulator covers, the Watt collection features two styles of large scale boron molded glass shades in clear, amber or blue. The Watt II collection features a smaller scale molded glass shade available in clear. They are an original interpretation of a vintage form and available in sconces or pendants.

CODES & STANDARDS

UL and CUL

PRODUCT FEATURES

Solid brass and boron molded glass

Bulb Not Included

Proprietary design

CERTIFICATIONS



PRODUCT (NOTES)

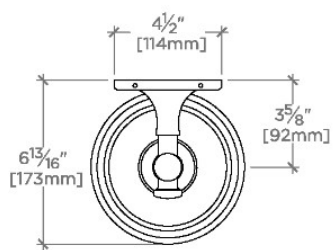
Replacement Plain Glass Shade Style #999156.
 Replacement Ribbed Glass Shade Style #999157.
 Replacement Knob for Wall Plate (Nickel, Unlacquered Brass, Old Bronze) Style #998703.

WATERWORKS

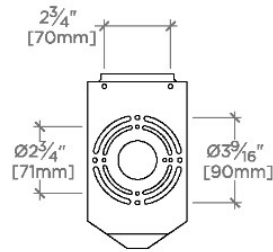
WATT

WLLT02

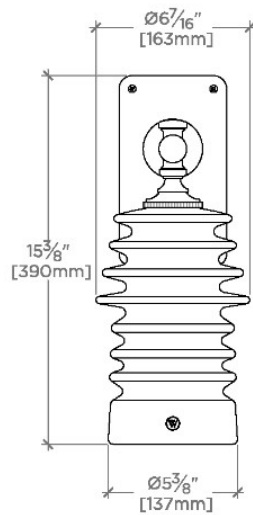
Watt Wall Mounted Single Arm Sconce with Ribbed Glass Shade



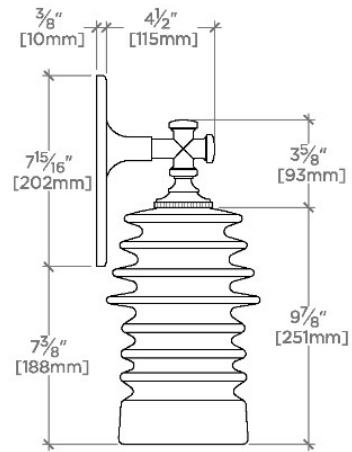
TOP VIEW SCALE: 1 1/2"=1'-0"



MOUNTING PLATE SCALE: 1 1/2"=1'-0"



FRONT VIEW SCALE: 1 1/2"=1'-0"



SIDE VIEW SCALE: 1 1/2"=1'-0"