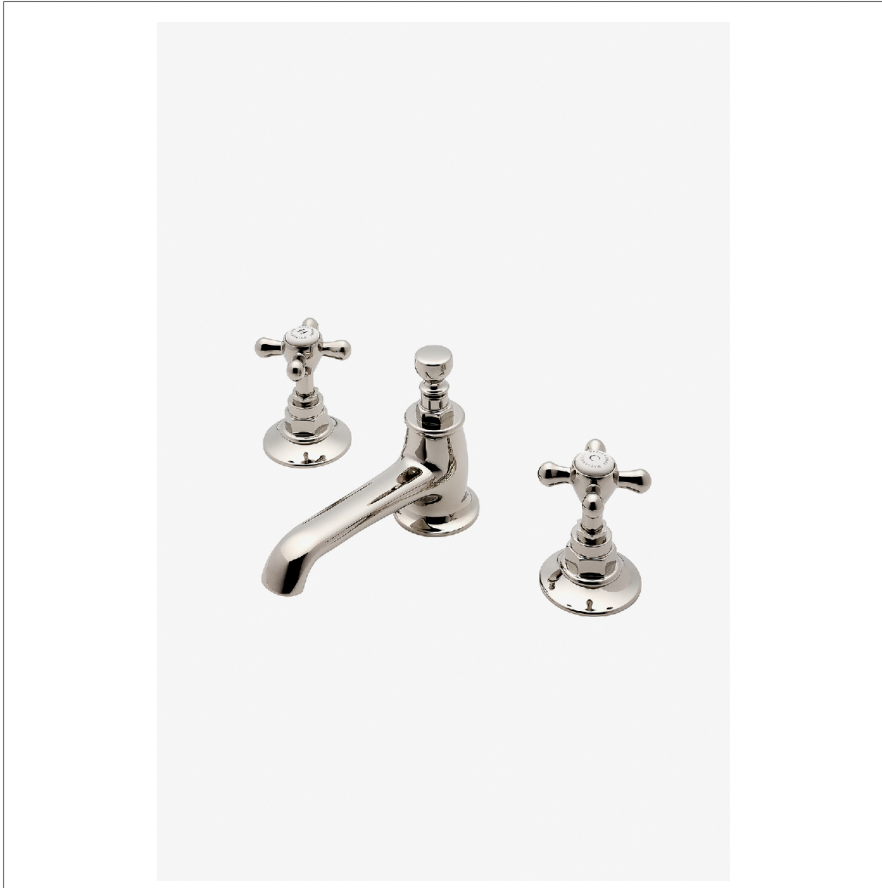


HIGHGATE

HGLS01

Highgate Lavatory Faucet with Cross Handles



SHOWN IN HIGHGATE LAVATORY FAUCET WITH CROSS HANDLES | HGLS01

TECHNICAL DETAILS

ADA Compliance: Yes
 Adjustable Versus Fixed Spray: Fixed Spray
 Deck Thickness Maximum: 1 7/8"
 Deck Thickness Minimum: 3/8"
 Depth/Width: 6 11/16"
 Drain Depth Maximum: 2"
 Drain Depth Minimum: 1 1/4"
 Drain Hole Diameter: 1 1/2"
 Escutcheon Primary Material: Brass
 Fittings Hole Diameter: 1 3/8"
 Flow Restriction Options: 1.2
 Handle Spread Maximum: 12"
 Handle Spread Minimum: 8"
 Handle Turn Angle: Quarter Turn
 Height: 4 3/8"
 Index Color Finish And Material: White Porcelain
 Index Marking: H/C
 Inlet Connection Size: 1/2"
 Inlet Connection Type: Male with Supply Nut
 Inlet Supply Spread Maximum: 12"
 Inlet Supply Spread Minimum: 8"
 Installation Type: Deck Mounted
 Integrated Diverter: N
 Integrated Spray: N
 Number Of Handles: Two
 Number Of Holes: Three Hole
 Primary Material: Brass
 Restricted Maximum Flow Rate: 1.2 gpm
 Spout Swivel: N
 Spray Included In Unit: N
 Suggested Application: Bath
 Valve Material: Ceramic
 Water Pressure Maximum: 85.0 psi
 Water Pressure Minimum: 20.0 psi
 Water Pressure Recommended: 45.0 psi

INSPIRATION

Our take on old English style: simple, functional shapes, detailed with white porcelain indices and hexagonal accents for a timeless feel.

CODES & STANDARDS

HGLS01X, NSF/ANSI/CAN 61:Q < 1, NSF/ANSI/CAN 372, ASME A112.18.1/CSA B125.1, CEC, State of MA

PRODUCT FEATURES

Cross Handles

Includes Universal Lift and Turn Drain (UNLD30) which fits 1-1/2" through 1-3/4" drain hole openings

Stocked in Chrome, Nickel and Brass

Available in 1.2gpm (4.5L/min) flow rate

CERTIFICATIONS



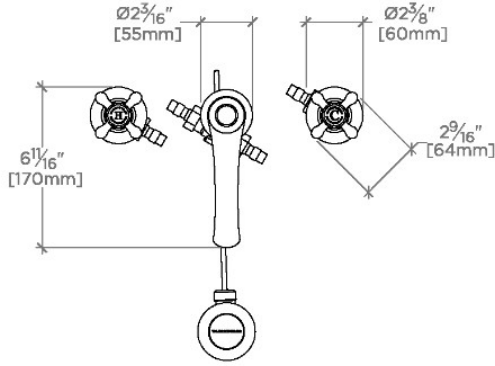
PRODUCT (NOTES)

USA style drain included.

HIGHGATE

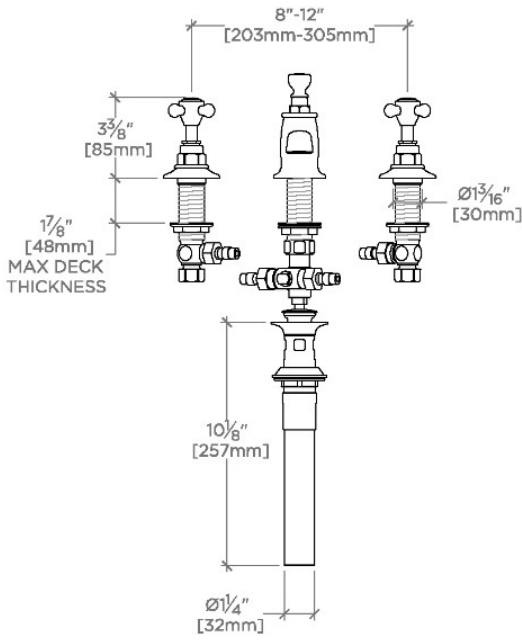
HGLS01

Highgate Lavatory Faucet with Cross Handles



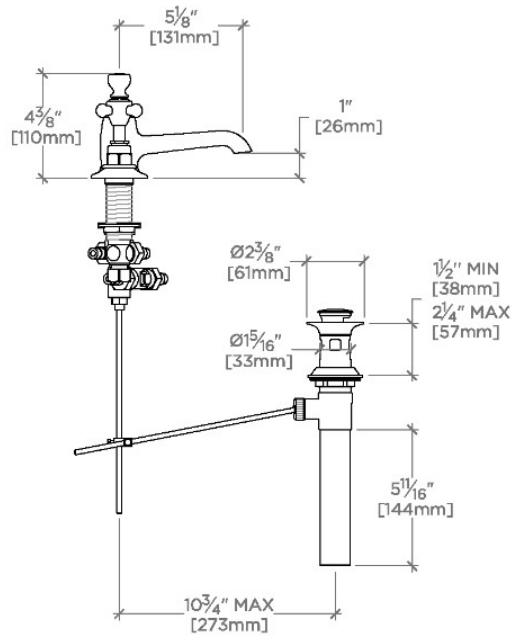
TOP VIEW

SCALE: 1/2"=1'-0"



FRONT VIEW

SCALE: 1/2"=1'-0"



SIDE VIEW

SCALE: 1/2"=1'-0"