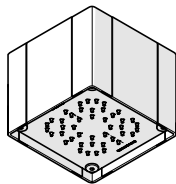


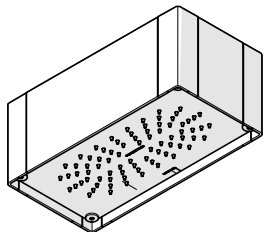
INSTALLATION GUIDELINES

SHOWERHEAD

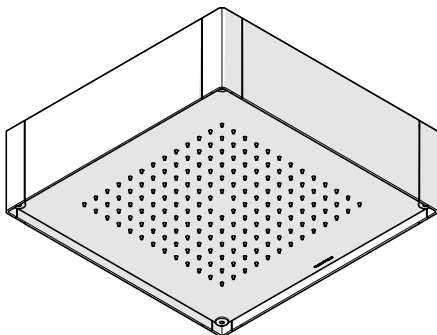
UNIVERSAL FLUSH MOUNT CUBE SHOWERHEAD



STYLE
USHF06



STYLE
USHF12



STYLE
USHF15

WATERWORKS

WARNING:

- This product is heavy and large. It is **STRONGLY** recommended that 2 persons install this product.
- Verify the location of ceiling joists prior to installation. Access from above the finished ceiling is recommended. **TETHERS** are provided and **must be** installed directly to ceiling joists or adequate blocking.

IMPORTANT:

- To ensure this product is installed properly, you must read and follow these guidelines.
- The owner/user of this product must keep this information for future reference.
- This product must be installed by a professional licensed contractor and must be on-site prior to rough-in. This allows the installer to visualize the installation.
- Be sure your installation conforms to all federal, state, and local codes. In the State of Massachusetts, all installations must comply with the rules and regulations set forth within 248 CMR.
- This product is intended for use with VALVES rated at 1.3gpm [4.9L/min] or higher.
- This product is sold partially assembled but shown fully disassembled for illustrative and service purposes only.
- Inspect this product to ensure you have all the parts required for proper installation.
- A CUTTING TEMPLATE is provided with the SHOWERHEAD.
- Use only a strap wrench or protected/smooth-jaw wrench on any finished surface.
- The use of certain plumber's putty may stain stone or tile surfaces.
- If further assistance is required, please contact Product Support at 1-800-927-2120 Monday through Friday, 8am - 6pm EST.
- Refer to the separate Service Parts Documents for available replacement parts.

TECHNICAL DETAILS:

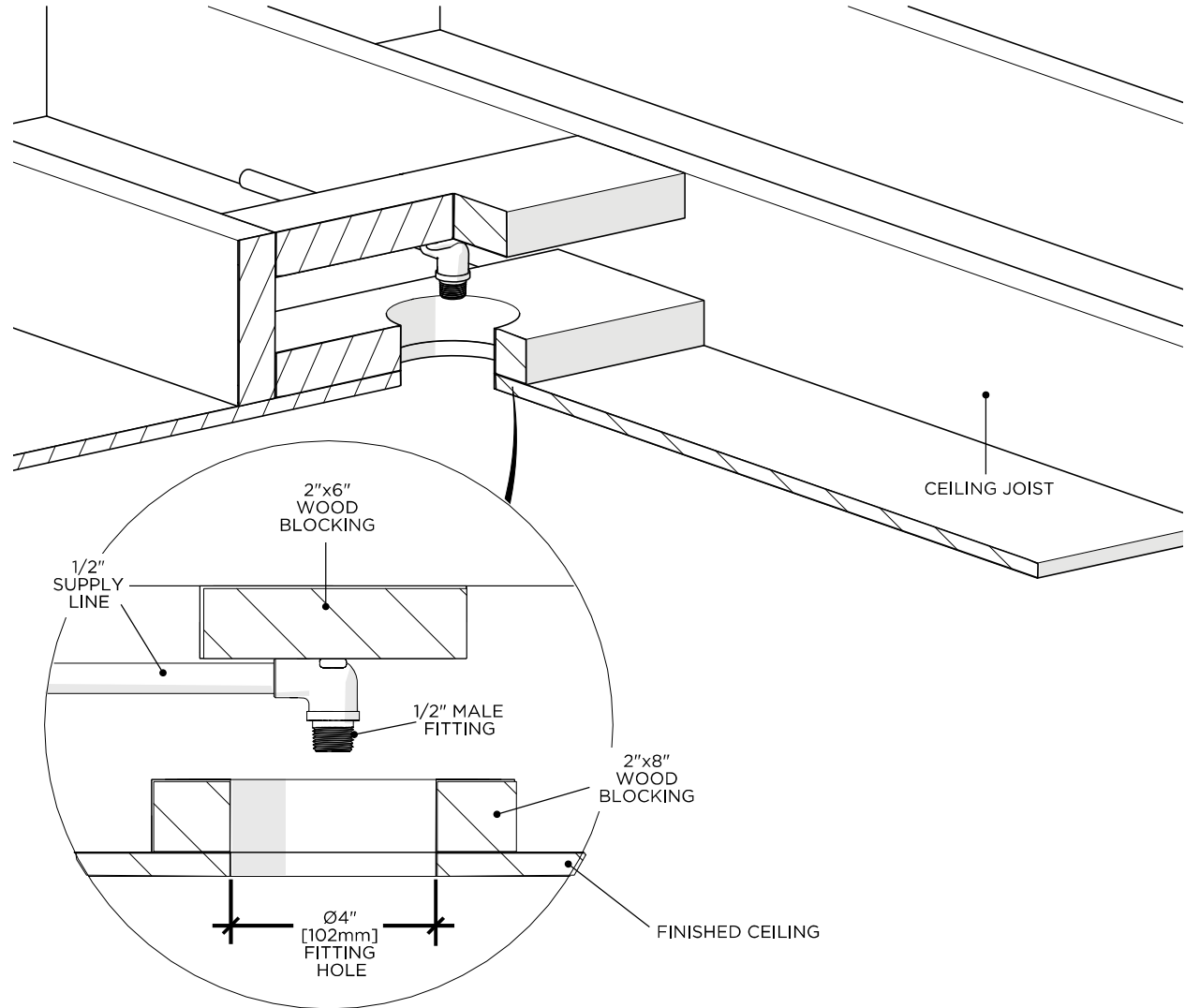
DETAIL	SPECIFICATION
INLET CONNECTION	1/2" FEMALE HOSE CONNECTION
INTEGRATED DIVERTER	NO
PIVOT	NO
WATER PRESSURE RANGE	20psi [1.5 bar] MIN , 85psi [6.0 bar] MAX
WATER PRESSURE RECOMMENDED	45psi [3.0 bar]
WEIGHT	USHF06: 7.5 lbs [3.37 Kg] USHF12: 11.4 lbs [5.18 Kg] USHF15: 24 lbs [10.88Kg]

INSTALLATION GUIDELINES

SHOWERHEAD

ROUGH-IN FOR USHF06 AND USHF12:

- **WARNING:** Access from above the finished ceiling is recommended.
- **WARNING:** Adequate wood blocking (e.g. a piece of 2"x8" on its side) is required and must be installed to properly support the weight of the SHOWERHEAD.
- If blocking to support the SHOWERHEAD is not installed, TOGGLE BOLTS and TETHERS are provided.
- The TETHERS must be installed directly to a ceiling joist or a solid wall using the MASONRY ANCHORS provided.
- Run a well supported 1/2" supply line from the control valve (**sold separately**) to the ceiling directly above the desired SHOWERHEAD location.
- The ideal location for the SHOWERHEAD is between 2 ceiling joists and centered in the shower.

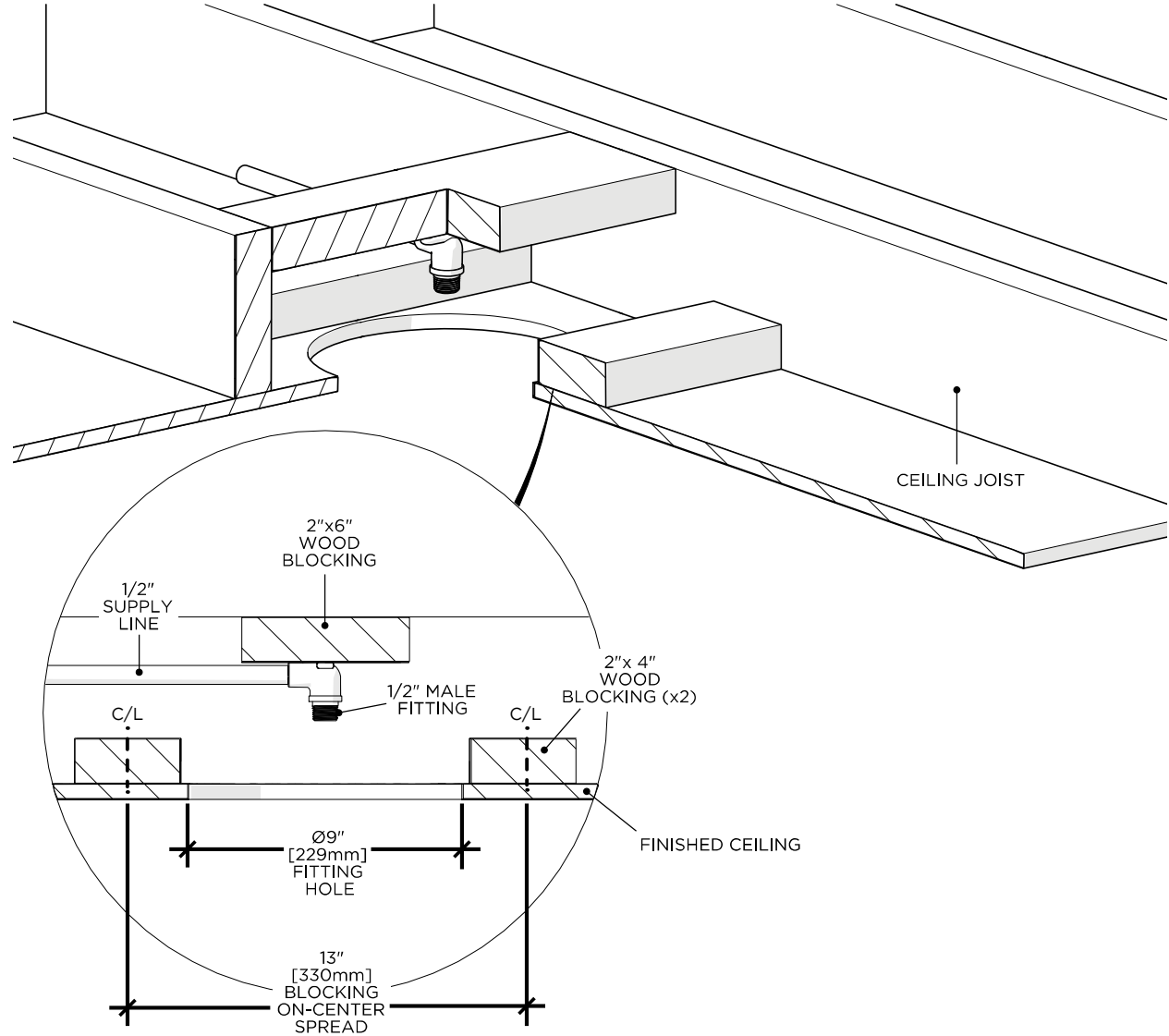


INSTALLATION GUIDELINES

SHOWERHEAD

ROUGH-IN FOR USHF15:

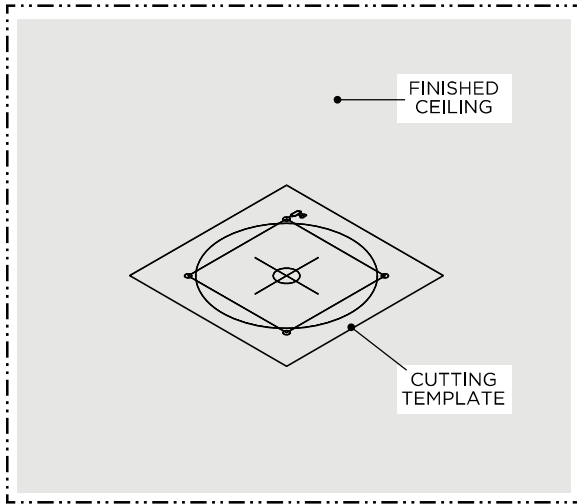
- **WARNING:** Access from above the finished ceiling is recommended.
- **WARNING:** Adequate wood blocking (e.g. 2 pieces of 2"x4" on their side) is required and must be installed to properly support the weight of the SHOWERHEAD.
- If blocking to support the SHOWERHEAD is not installed, TOGGLE BOLTS and TETHERS are provided.
- The TETHERS must be installed directly to a ceiling joist or a solid wall using the MASONRY ANCHORS provided.
- Run a well supported 1/2" supply line from the control valve (**sold separately**) to the ceiling directly above the desired SHOWERHEAD location.
- The ideal location for the SHOWERHEAD is between 2 ceiling joists and centered in the shower.



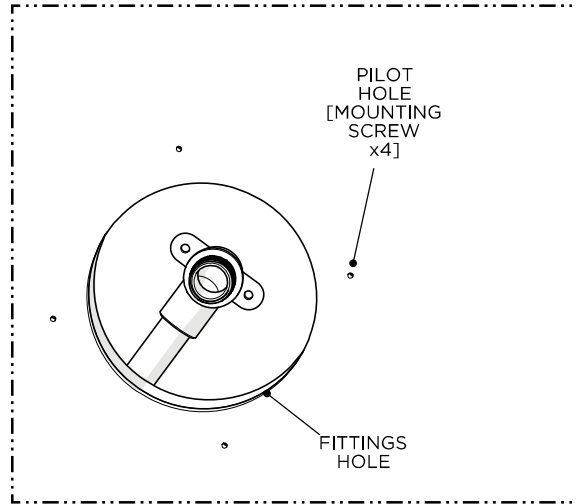
INSTALLATION GUIDELINES

SHOWERHEAD

WATERWORKS

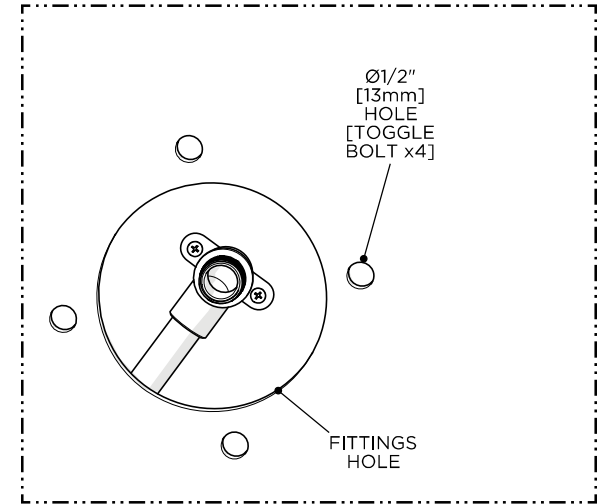


1. Locate the blocking material then position the CUTTING TEMPLATE appropriately and mark the hole locations.



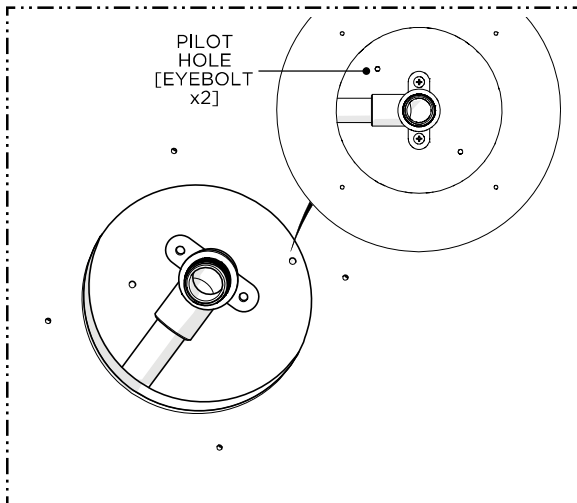
2. Using the previous marks, cut the required fittings hole and drill the pilot holes necessary for the mounting screws [not provided] being used.

NOTE: Pilot hole size is based on the screw being used. No. 10 wood screws are recommended.



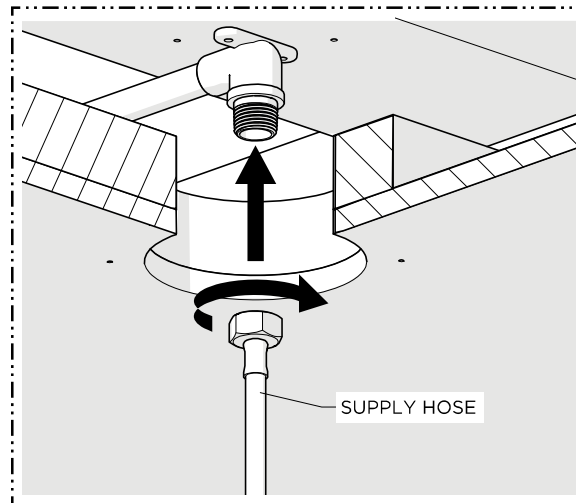
DRYWALL CEILING INSTALLATIONS ONLY:

3. Using the previous marks, cut the required fittings hole, drill the holes necessary to fit the TOGGLE BOLTS provided.

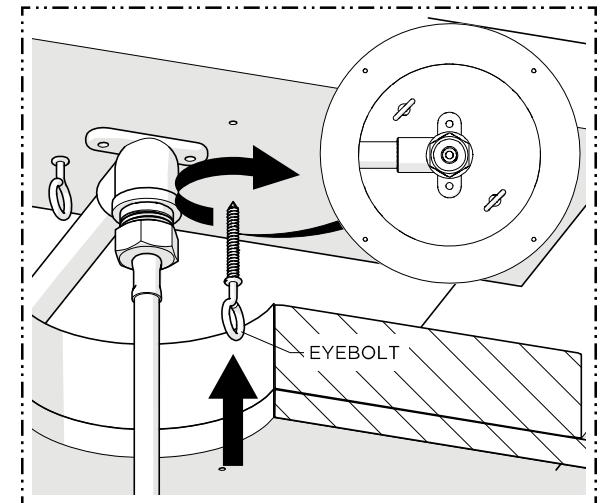


4. Drill pilot holes to accommodate the EYEBOLTS provided.

NOTE: EYEBOLTS must be directly threaded into blocking or ceiling joist. MASONRY ANCHORS are provided for solid wall installation.



5. Thread the SUPPLY HOSE onto the 1/2" supply fitting (not provided) until snug.

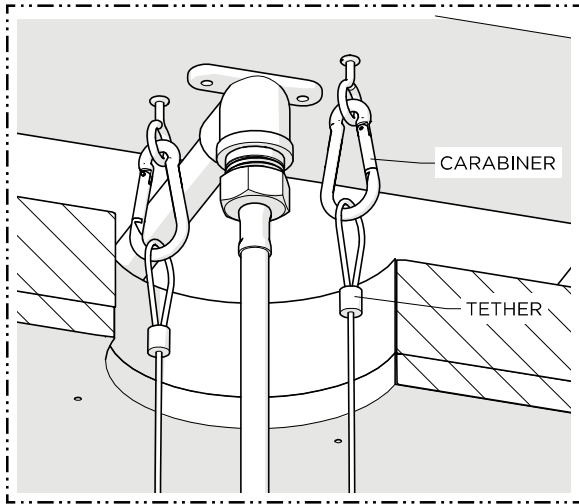


6. Thread the EYEBOLTS into blocking or ceiling joist.

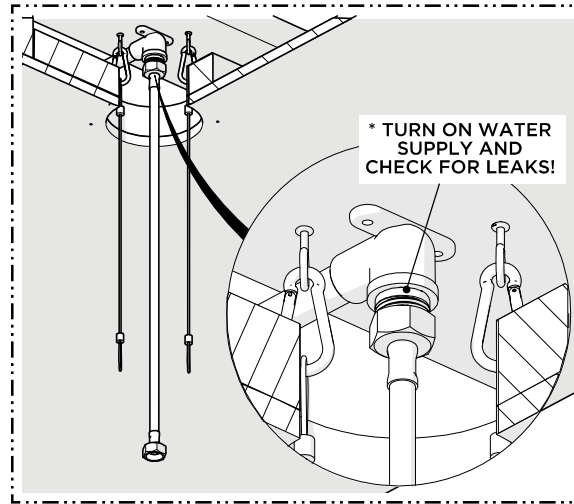
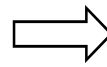
NOTE: Masonry anchors are provided for installations where wood framing is not used.

INSTALLATION GUIDELINES

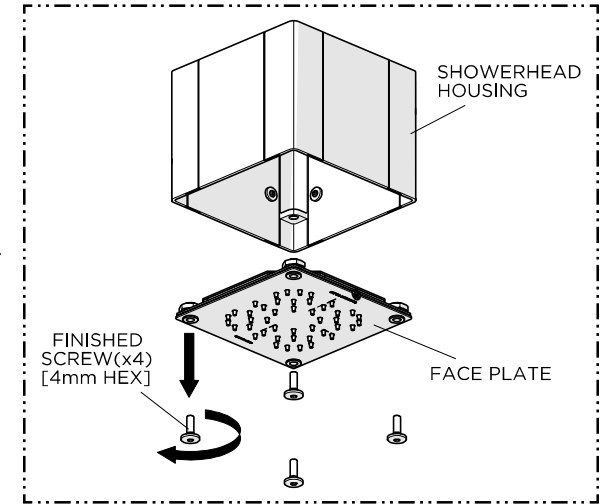
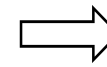
SHOWERHEAD



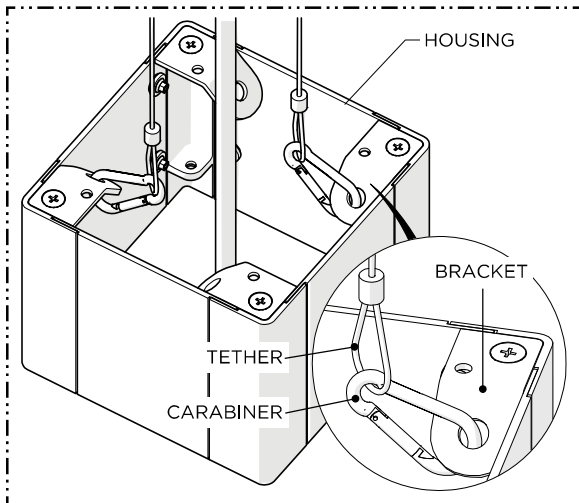
7. Attach the TETHERS using the CARABINERS provided.



8. Turn on the water supply to flush out the supply lines and check all connections for leaks then turn the water off.

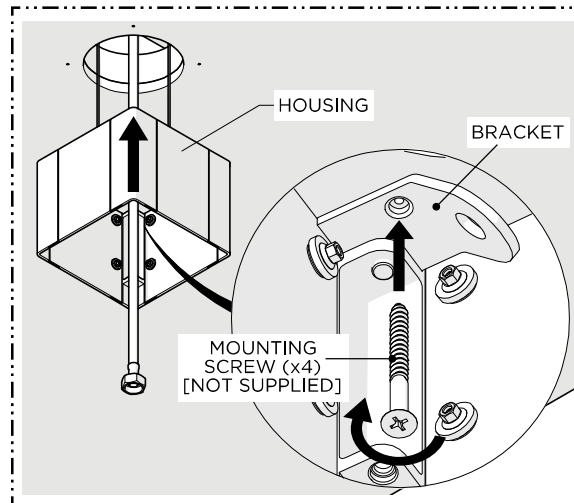
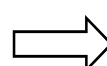


9. Remove the FINISHED SCREWS and FACE PLATE from the SHOWERHEAD HOUSING.



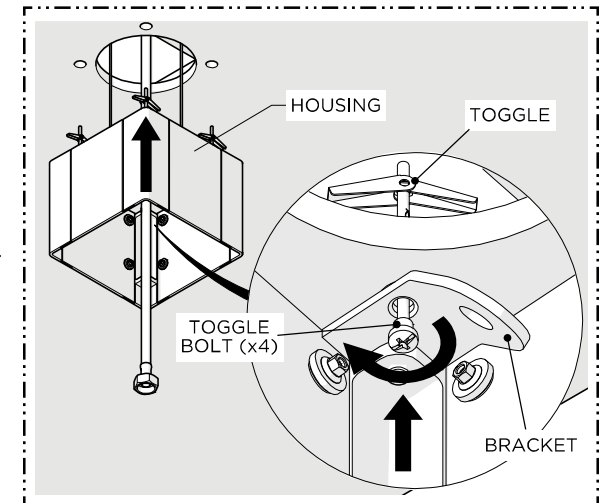
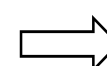
10. Attach the TETHERS to the BRACKETS on the HOUSING using the CARABINERS provided.

NOTE: The TETHERS should be attached to opposite corners on the HOUSING.



11. Hold the HOUSING up against the ceiling and align the BRACKETS with the pilot holes then thread the mounting screws (not provided) through the BRACKETS and securely tighten.

NOTE: Ensure the HOUSING is flush against the ceiling.



DRYWALL CEILING INSTALLATIONS ONLY:

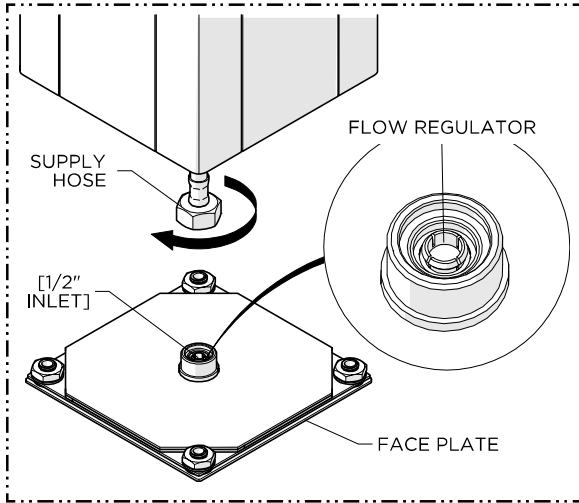
12. Pre-install the BOLTS and TOGGLES to the HOUSING then hold the HOUSING up against the ceiling, insert the TOGGLES through the pre-drilled holes, and thread the BOLTS until snug.

NOTE: Ensure the HOUSING is flush against the ceiling.

INSTALLATION GUIDELINES

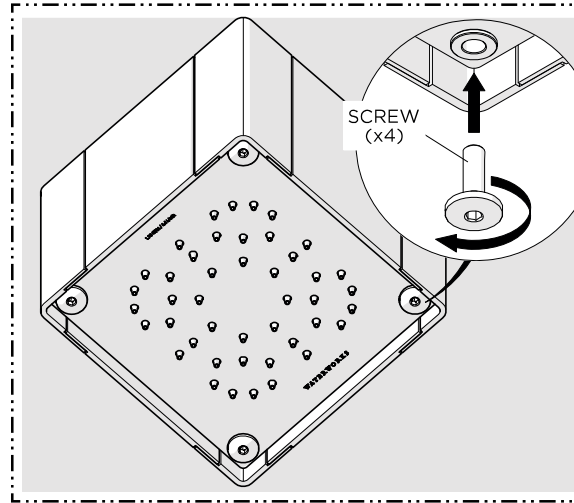
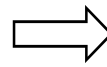
SHOWERHEAD

WATERWORKS



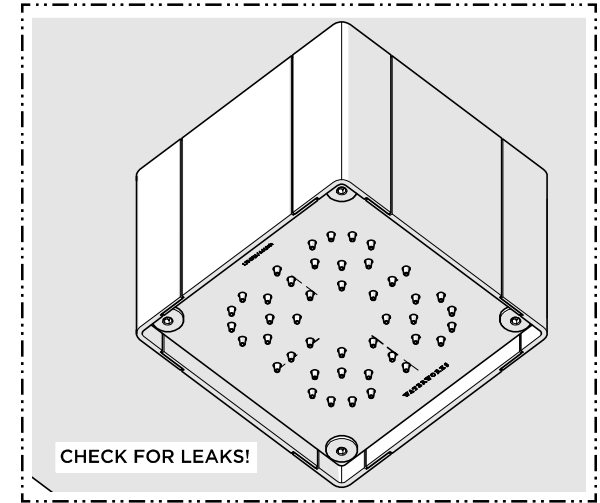
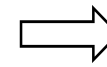
13. With the FACEPLATE in the desired orientation, thread the SUPPLY HOSE to the FACE PLATE until snug.

NOTE: A FLOW REGULATOR is located in the inlet of the FACE PLATE. A replacement REGULATOR can be ordered separately, STYLE No. 104285.



14. Making sure the HOSE is not pinched or kinked, **carefully** insert the FACE PLATE into the HOUSING until fully seated. Thread the FINISHED SCREWS into the HOUSING until snug starting with opposite corners to avoid mis-alignment.

NOTE: Do **NOT** over-tighten the SCREWS.



15. Turn on the water supply and check for leaks!