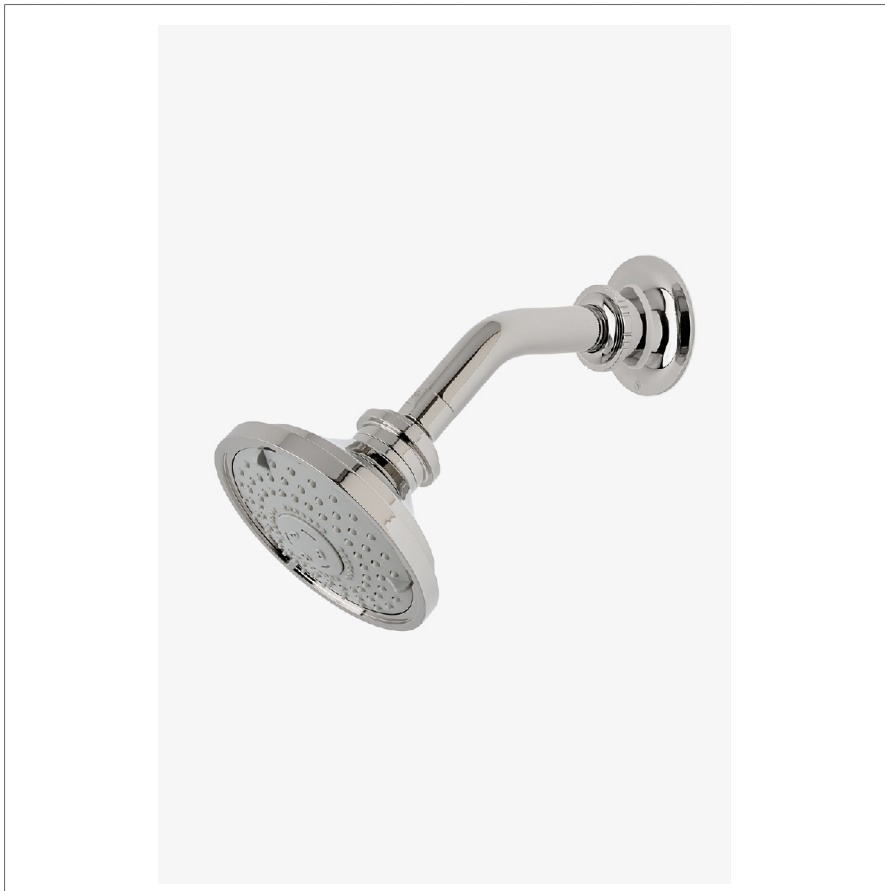


HENRY CHRONOS

CNS354

Henry Chronos 5" Showerhead with Adjustable Spray with 6" Wall Mounted 45 Degree Shower Arm



SHOWN IN HENRY CHRONOS 5" SHOWERHEAD WITH ADJUSTABLE SPRAY WITH 6" WALL MOUNTED 45 DEGREE SHOWER ARM | CNS354

TECHNICAL DETAILS

Fittings Hole Diameter: 1 3/8"
Inlet Connection Size: 1/2"
Inlet Connection Type: Male NPT
Pivot: Y
Restricted Maximum Flow Rate: 1.75 gpm
Water Pressure Maximum: 85.0 psi
Water Pressure Minimum: 20.0 psi
Water Pressure Recommended: 45.0 psi

INSPIRATION

Inspired by dive watches, Henry Chronos radiates design prowess and technical precision. Chronos retains the design integrity of our original, iconic Henry collection, while imbuing it with modern details and exquisite materials.

CODES & STANDARDS

CNS354X, ASME A112.18.1/CSA B125.1, CEC(1.5GPM & 1.75GPM Only), DOE, State of MA

PRODUCT FEATURES

Made of Brass

Features a swivel 5" showerhead with three adjustable spray patterns

Features a swivel 5" showerhead with three adjustable spray patterns

Stocked in Brass, Chrome and Nickel

Showerhead available in 1.75gpm (6.6L/min) flow rate

CERTIFICATIONS

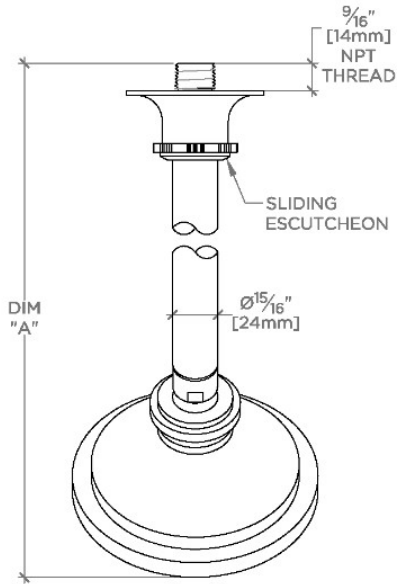


PRODUCT (NOTES)

HENRY CHRONOS

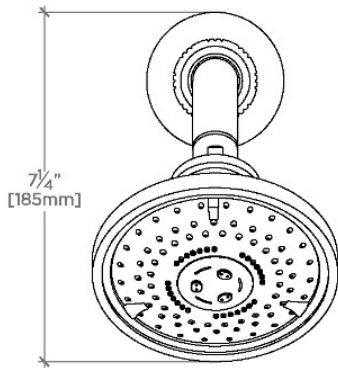
CNS354

Henry Chronos 5" Showerhead with Adjustable Spray with 6" Wall Mounted 45 Degree Shower Arm

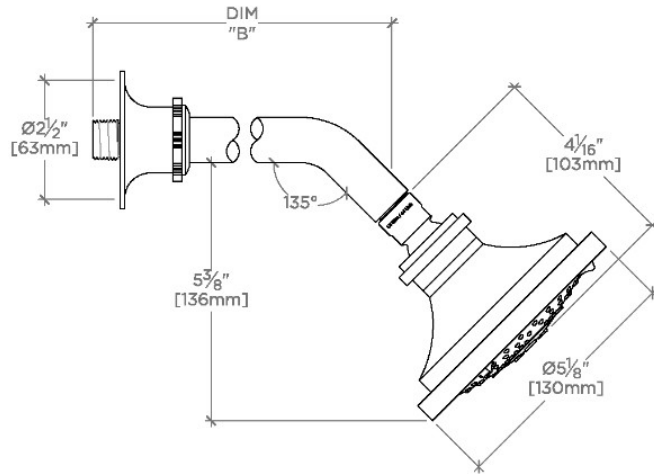


TOP VIEW SCALE: 3"=1'-0"

| STYLE NO. | DIM "A" | DIM "B" |
|-----------|---------------------|-------------------|
| CNS354 | 10 1/16" [271mm] | 6 1/4" [158mm] |
| CNS355 | 12 1/16" [322mm] | 8 1/4" [209mm] |



FRONT VIEW SCALE: 3"=1'-0"



SIDE VIEW SCALE: 3"=1'-0"