

HENRY CHRONOS

CLS414

Henry Chronos One Hole Lavatory Faucet with Walnut Lever Handle



SHOWN IN HENRY CHRONOS ONE HOLE LAVATORY FAUCET WITH WALNUT LEVER HANDLE | CLS414

TECHNICAL DETAILS

ADA Compliance: Yes
 Deck Thickness Maximum: 2 5/8"
 Deck Thickness Minimum: 1/4"
 Drain Depth Maximum: 2"
 Drain Depth Minimum: 3/8"
 Drain Hole Diameter: 1 1/2"
 Drain Style: Push Touch
 Fittings Hole Diameter: 1 3/8"
 Handle Turn Angle: Quarter Turn
 Inlet Connection Size: 3/8"
 Inlet Connection Type: Compression Connection Hoses
 Number Of Holes: One Hole
 Primary Material: Brass
 Restricted Maximum Flow Rate: 1.2 gpm
 Spout Swivel: N
 Valve Material: Brass and Ceramic
 Water Pressure Maximum: 85.0 psi
 Water Pressure Minimum: 20.0 psi
 Water Pressure Recommended: 45.0 psi

INSPIRATION

Inspired by dive watches, Henry Chronos radiates design prowess and technical precision. Chronos retains the design integrity of our original, iconic Henry collection, while imbuing it with modern details and exquisite materials.

CODES & STANDARDS

CLS414X, NSF/ANSI/CAN 61:Q < 1, NSF/ANSI/CAN 372, ASME A112.18.1/CSA B125.1, CEC, DOE, State of MA

PRODUCT FEATURES

Features Walnut Lever Handles

Includes a Universal Push Touch Drain Sized to Fit US and Euro Sink Drain Openings

Stocked in Brass, Chrome and Nickel

Available in 1.2gpm (4.5L/min) Flow Rate

CERTIFICATIONS



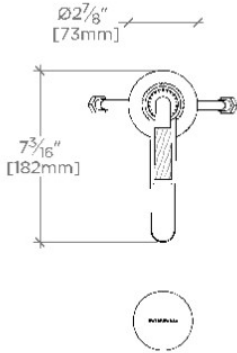
PRODUCT (NOTES)

WATERWORKS

HENRY CHRONOS

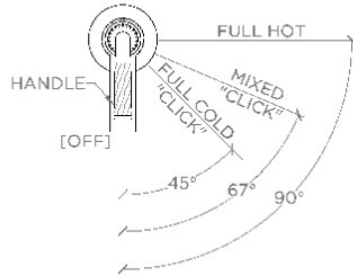
CLS414

Henry Chronos One Hole Lavatory Faucet with Walnut Lever Handle



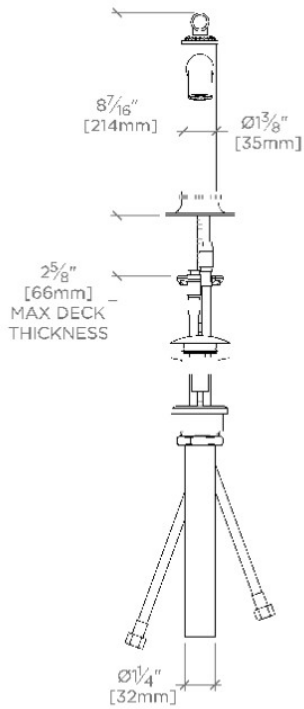
TOP VIEW

SCALE: 1½"=1'-0"



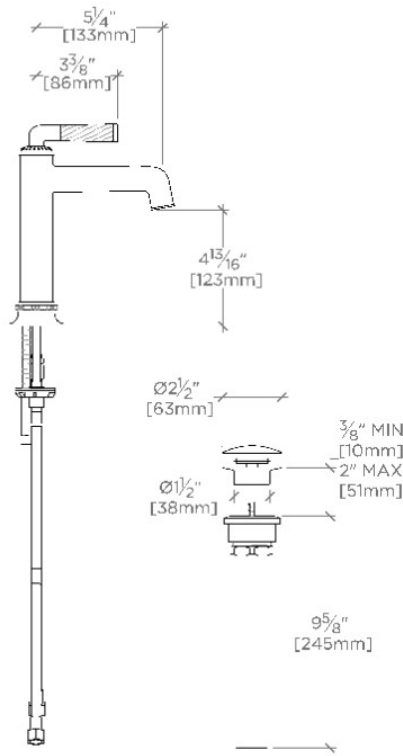
HANDLE OPERATION

SCALE: 1½"=1'-0"



FRONT VIEW

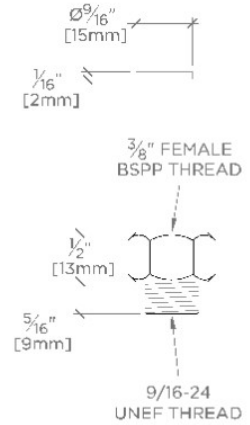
SCALE: 1½"=1'-0"



SIDE VIEW

SCALE: 1½"=1'-0"

NOTE:
ADAPTER AND GASKET (x2)
INCLUDED - INTERNATIONAL
USE ONLY



NOT TO SCALE