

Julia

JUS109

Julia 10" Rain Showerhead with 22" Wall Mounted 90 Degree Shower Arm



SHOWN IN JULIA 10" RAIN SHOWERHEAD WITH 22" WALL MOUNTED 90 DEGREE SHOWER ARM | JUS109

TECHNICAL DETAILS

Adjustable Versus Fixed Spray: Fixed
Fittings Hole Diameter: 32 mm
Flow Restriction Options: 1.5, 1.75, 2.0
Inlet Connection Size: 1/2"
Inlet Connection Type: Male NPT
Pivot: Y
Primary Material: Brass
Restricted Maximum Flow Rate: 6.6 liters/min
Water Pressure Maximum: 6.0 bar
Water Pressure Minimum: 1.5 bar
Water Pressure Recommended: 3.0 bar

INSPIRATION

An interpretation of 1920s French country, Julia speaks to decoration and intricate design displayed through beautifully composed turnings. These details embody the robust, signature high profile spout enabling Julia to transition fluidly from informal to formal environments.

CODES & STANDARDS

JUS109X, ASME A112.18.1/CSA B125.1, CEC(1.5GPM & 1.75GPM Only), WaterSense(1.5GPM, 1.75GPM & 2.0GPM Only), DOE, State of MA

PRODUCT FEATURES

Made of Brass

Features a swivel 10" rain showerhead with easy clean rubber nozzles

Includes a 22" wall mounted 90 degree shower arm

Stocked in Brass, Chrome, Nickel and Matte Nickel

Rain showerhead available in 1.75gpm (6.6L/min) flow rate

CERTIFICATIONS



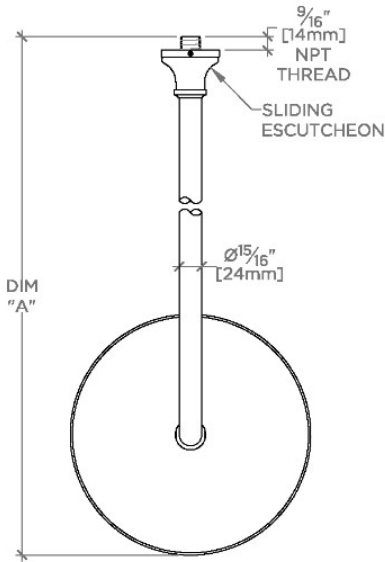
PRODUCT (NOTES)

WATERWORKS

Julia

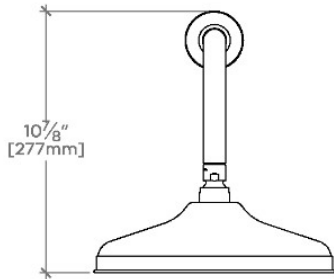
JUS109

Julia 10" Rain Showerhead with 22" Wall Mounted 90 Degree Shower Arm

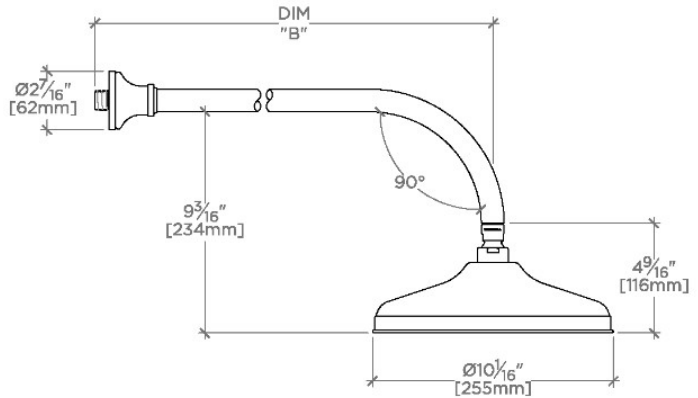


TOP VIEW SCALE: 1½"=1'-0"

STYLE NO.	DIM "A"	DIM "B"
ETS108		
FRS108	23 ⁹ / ₁₆ " [599mm]	18 ⁹ / ₁₆ " [472mm]
JUS108		
ETS109		
FRS109	27 ⁹ / ₁₆ " [699mm]	22 ⁹ / ₁₆ " [573mm]
JUS109		



FRONT VIEW SCALE: 1½"=1'-0"



SIDE VIEW SCALE: 1½"=1'-0"