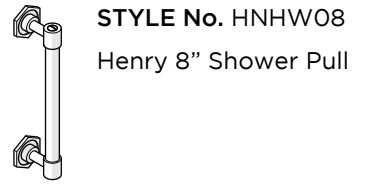


INSTALLATION GUIDELINES

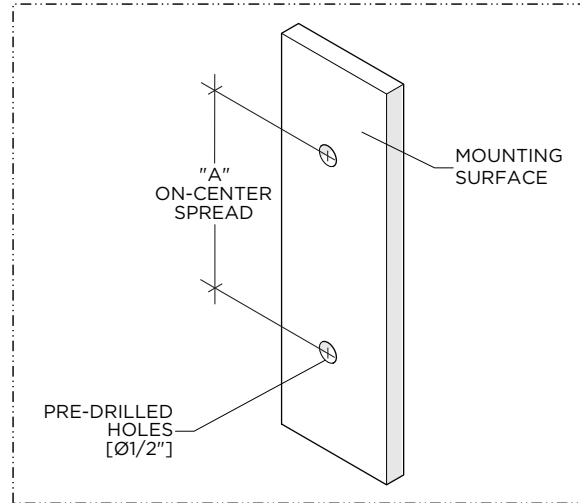


IMPORTANT:

- To ensure this product is installed properly, you must read and follow these guidelines.
- The owner/user of this product must keep this information for further reference.
- This product must be installed by a professional licensed contractor.
- Inspect this product to ensure you have all the parts required for proper installation.
- To avoid damaging the product, do **NOT** use power tools during installation.
- If further assistance is required, please contact Product Support at 1-800-927-2120 Monday through Friday, 8am - 6pm EST.

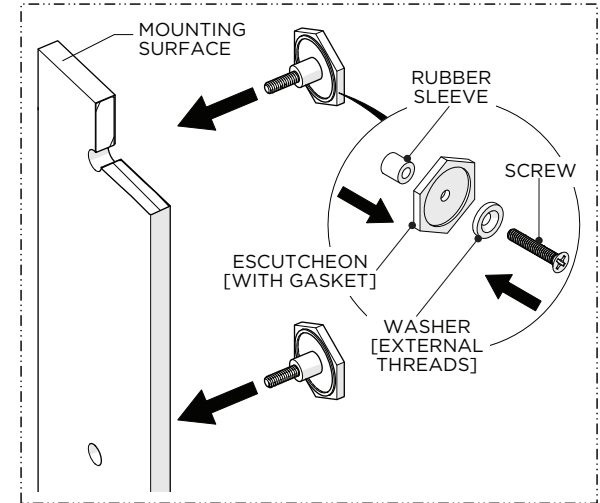
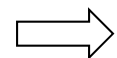
TECHNICAL DETAILS:

DIM	VALUE
A	8" [203mm]

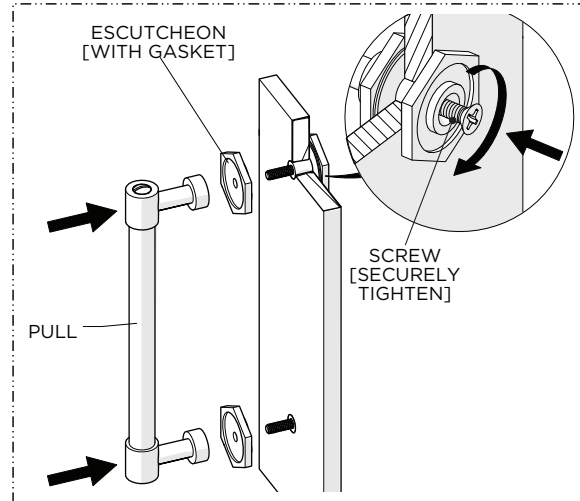


1. Drill two 1/2" diameter holes on the mounting surface at the required on-center spread (DIM A).

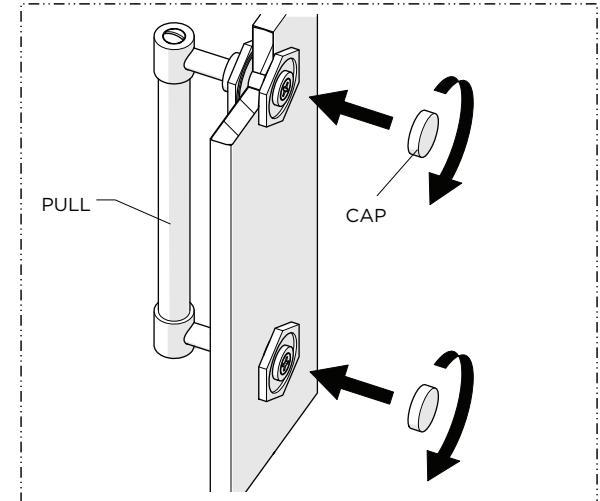
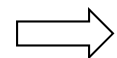
NOTE: Ensure the holes are level and verify the on-center spread (DIM A).



2. Pre-assemble the WASHERS, ESCUTCHEONS, and RUBBER SLEEVES onto the SCREWS then insert the RUBBER SLEEVES into the pre-drilled holes.



3. Slide the ESCUTCHEONS onto the SCREWS and align the holes on the PULL then thread and securely tighten the SCREWS into the PULL.



4. Thread the CAPS onto the WASHERS to conceal the SCREWS.