

.25

PTBT52

.25 70" x 40" x 29" Reverse Freestanding Oval Bathtub



SHOWN IN .25 70" X 40" X 29" REVERSE FREESTANDING OVAL BATHTUB | PTBT52

TECHNICAL DETAILS

ADA Compliance: No
Adjustable Levelers / Feet: N
Assembly / Configuration: One Piece
Bathing Type: Bathing and Soaking
Bottom Angle / Pitch: 6.5 degree_angle
Drilling Option: None
Depth / Width: 40"
Height: 29"
Installation Type: Freestanding
Item Weight (Filled): 916.0 pounds
Length: 70"
Material / Wall Thickness: 1/4"
Number of Holes: Two Hole
Overflow Opening: Yes
Primary Material: Fiberglass
Single or Double Ended: Single Ended
Suggested Application: Bath

INSPIRATION

.25 is the ultimate in utilitarian elegance: A simple and understated design that is equally functional and beautiful.

PRODUCT FEATURES

The .25 bathtub brings a sculptural sensibility and an aesthetic purity to the bath. Our .25 tubs are made of fiberglass materials; the exact materials are a trade secret. Designed to comfortably fit the contours and length of any body.

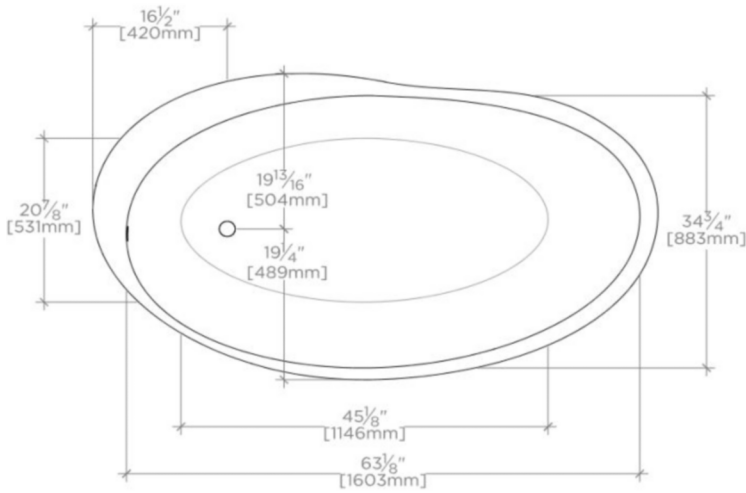
PRODUCT (NOTES)

Dimensions of fixtures are nominal. Measure your actual product for rough-in details.

.25

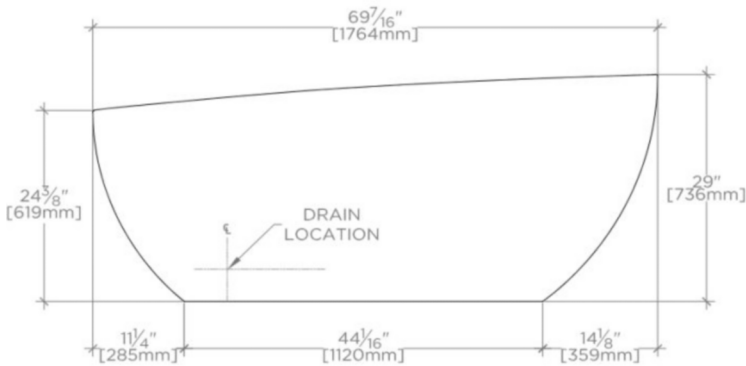
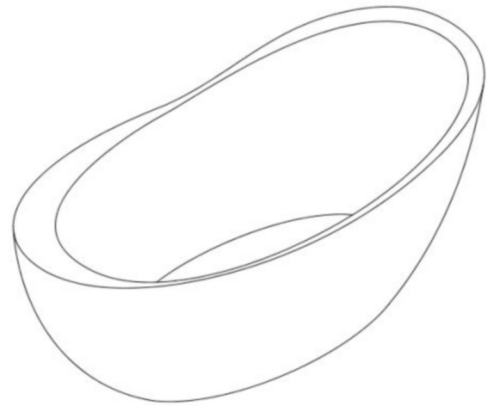
PTBT52

.25 70" x 40" x 29" Reverse Freestanding Oval Bathtub



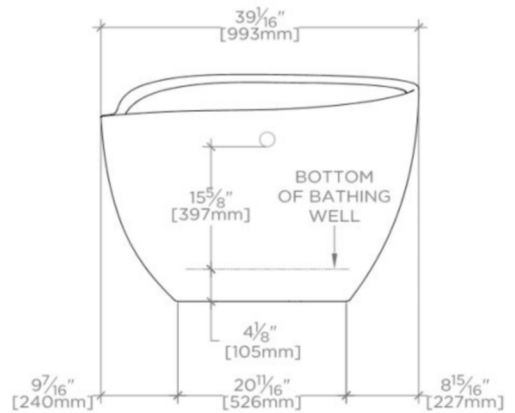
TOP VIEW

SCALE: 1/2"=1'-0"



SIDE VIEW

SCALE: 1/2"=1'-0"



END VIEW

SCALE: 1/2"=1'-0"