

# WATERWORKS

## UNIVERSAL

UNWS22

Universal Metal Round Two Leg Single Washstand 28" x 19 15/16" x 31 1/2"



SHOWN IN UNIVERSAL METAL ROUND TWO LEG SINGLE WASHSTAND 28" X 19 15/16" X 31 1/2" UNWS22

### TECHNICAL DETAILS

Adjustable Levelers / Feet: Y  
Diameter of Legs / Tubes: 1 1/4"  
Horizontal Rail Material: Metal  
Depth / Width: 19 15/16"  
Height: 31 1/2"  
Installation Type: Wall Mounted  
Leg Material: Metal  
Length: 28"  
Number of Holes: Zero Holes  
Number of Legs: Two  
Outer Rim Shape: Rectangular  
Primary Material: 20 SWG Brass  
Rough-in Supply Height Recommended: 21"  
Rough-in Waste Height Recommended: 19"  
Sink Visibility: Y  
Storage Capacity: 0.0 cubic\_foot  
Suggested Application: Bath  
Top Attachment Method: The top is attached to the washstand by fastening 3 screws on the top flange of each leg, making sure to use the anchors provided.

### INSPIRATION

Our Universal collection features timeless designs complementing any of our Waterworks. With a wide range of product, from fittings to accessories, Universal adds exquisite proportion and balance to any environment.

### CODES & STANDARDS

Code # WWWS22:

### PRODUCT FEATURES

Crafted in England this washstand draws on a historic form from the early 1900's and an updated aesthetic choice. This item is stocked in a Chrome and Nickel finishes and additional made-to-order finish options are available in 12 weeks from purchase

A distinct category and unique to the bath, washstands and pedestals breathe a sense of openness and light into the room.

Slab countertop and sink sold separately from washstand. Custom options available.



### PRODUCT (NOTES)

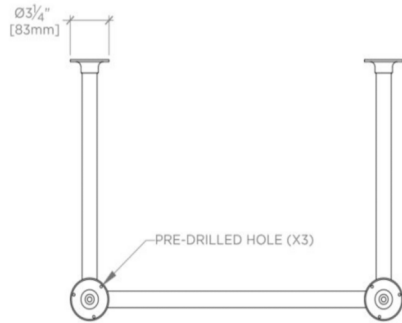
Slab countertop and lavatory sink sold separately. Order with a Universal Slab Support, item UNSS91.

# WATERWORKS

## UNIVERSAL

## UNWS22

Universal Metal Round Two Leg Single Washstand 28" x 19 15/16" x 31 1/2"

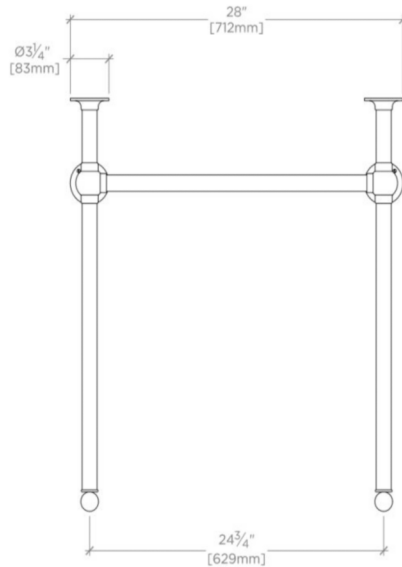


TOP VIEW

SCALE: 1"=1'-0"

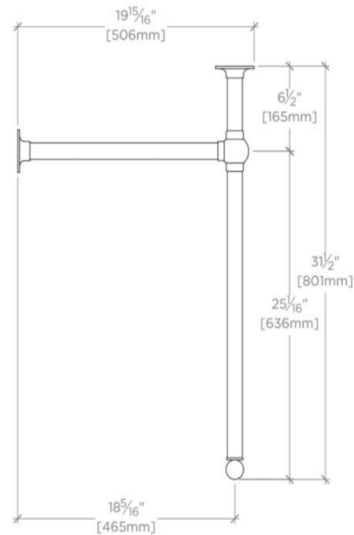
### NOTES:

1. ADHESIVE SILICONE IS RECOMMENDED FOR ATTACHING LEGS TO SLAB TOP.
2. PRE-DRILLED HOLES ARE PROVIDED FOR ATTACHING TOPS WHERE DRILLING AND THE USE OF TYPICAL FASTENERS IS APPROVED BY THE MANUFACTURER OF THE TOP.
3. ADEQUATE BLOCKING IS REQUIRED TO ATTACH THE LEGS TO THE WALL.



FRONT VIEW

SCALE: 1"=1'-0"



SIDE VIEW

SCALE: 1"=1'-0"