

Easton

EAPB83

Easton Classic Pressure Balance Control Valve Trim with White Porcelain Lever Handle



SHOWN IN EASTON CLASSIC PRESSURE BALANCE CONTROL VALVE TRIM WITH WHITE PORCELAIN LEVER HANDLE | EAPB83

TECHNICAL DETAILS

ADA Compliance: Yes
 Index Color Finish And Material: White Porcelain
 Integrated Diverter: N
 Primary Material: Brass
 Suggested Application: Bath

INSPIRATION

Rooted in classical Edwardian design, Easton is our most expansive collection—offering a comprehensive family of pieces that bring polished detail and timeless tradition to any setting. Revered for its exquisite proportions and impeccable scale, Easton is a trusted choice among designers.

CODES & STANDARDS

ASME A112.18.1/CSA B125.1, State of MA

PRODUCT FEATURES

Brass metal is used for all trim and valve components.

The manufacturing process encompasses casting, turning, forging, hand-fitting and hand polishing.

Easton is our most comprehensive fittings family.

Easton has a clean-lined utilitarian profile, with a slightly elongated spout.

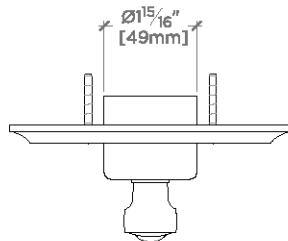
CERTIFICATIONS



PRODUCT (NOTES)

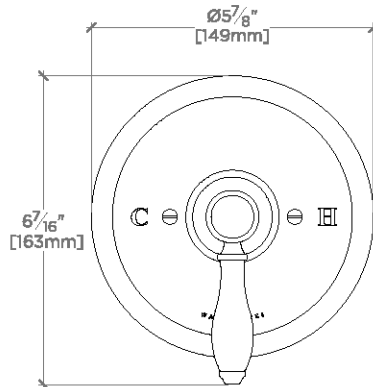
Valve sold separately.

Easton Classic Pressure Balance Control Valve Trim with
White Porcelain Lever Handle



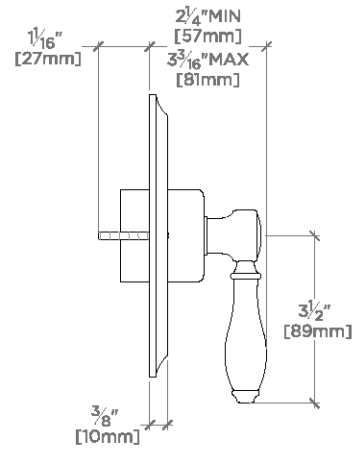
TOP VIEW

SCALE: 3"=1'-0"



FRONT VIEW

SCALE: 3"=1'-0"



SIDE VIEW

SCALE: 3"=1'-0"