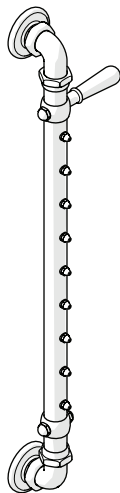


# INSTALLATION GUIDELINES

## BODY SPRAY BAR

### REGULATOR BODY SPRAY BAR WITH LEVER HANDLE



STYLES	
RGBS01	RGBS02 [SHOWN]

#### **IMPORTANT:**

- To ensure this product is installed properly, you must read and follow these guidelines.
- The owner/user of this product must keep this information for future reference.
- This product must be installed by a professional licensed contractor and must be on-site prior to rough-in. This allows the installer to visualize the installation and verify the 25-5/8" ± 1/8" [651mm ± 3mm] inlet supply on-center spread.
- Be sure your installation conforms to all federal, state, and local codes.
  - Anti-scald protection is the responsibility of the installer and according to applicable codes.
  - A water temperature limiting device is the responsibility of the installer and must be in accordance with ASSE 1070.
  - In the State of Massachusetts, all installations must comply with the rules and regulations set forth within 248 CMR.
- Inspect this product to ensure it is the correct model and you have all the parts required for proper installation.
- Product is sold partially assembled but shown fully disassembled for illustrative and service purposes only.

- Use only a strap wrench or protected/smooth-jaw wrench on any finished surface.
- The use of certain plumber's putty may stain stone or tile surfaces.
- If further assistance is required, please contact Product Support at 1-800-927-2120 Monday through Friday, 8am - 6pm EST.
- Refer to the separate Service Parts Documents for available replacement parts.

#### **TECHNICAL DETAILS:**

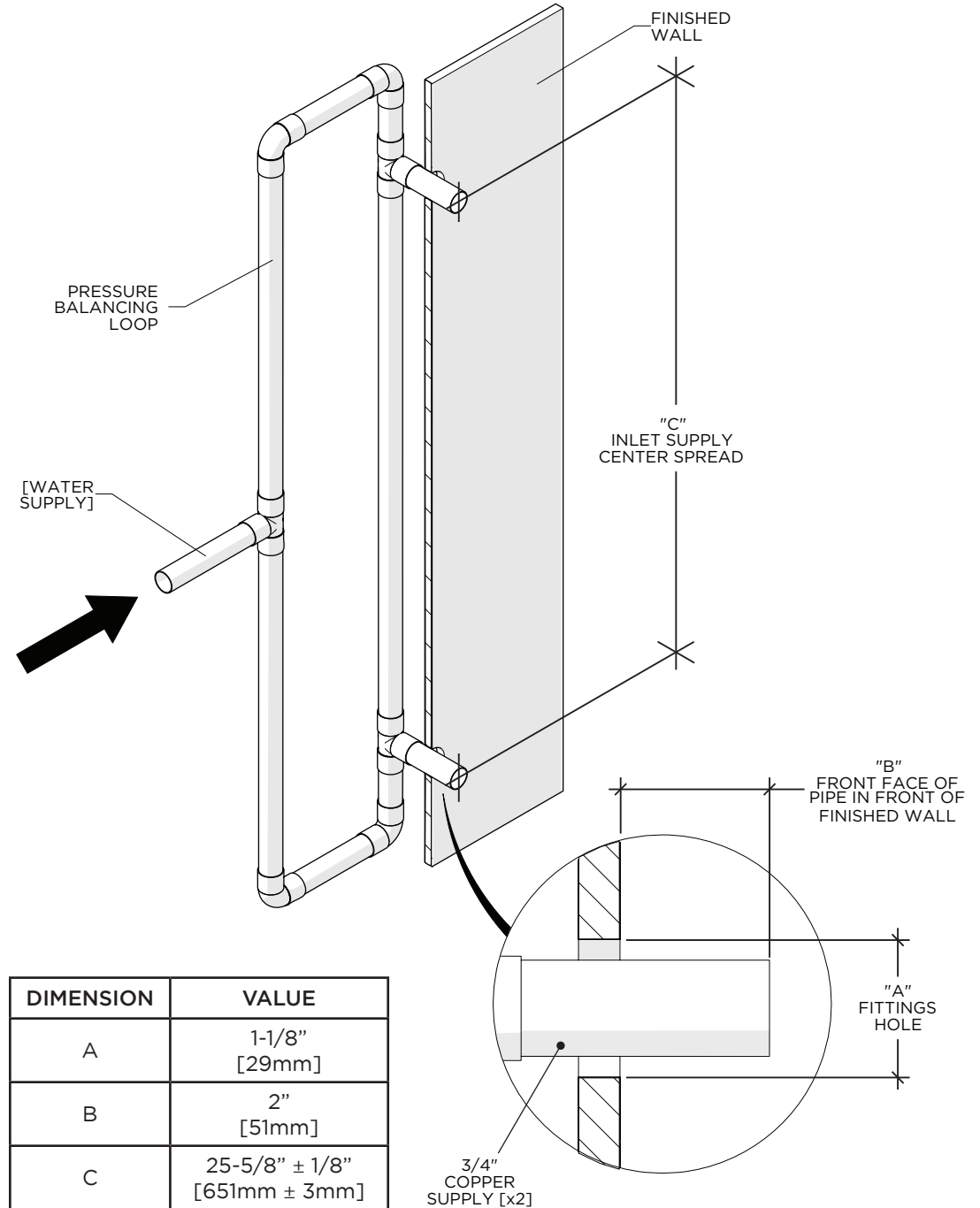
DETAIL	SPECIFICATION
ADJUSTABLE VERSUS FIXED SPRAY	FIXED
INLET CONNECTION	3/4" COPPER COMPRESSION
INTEGRATED DIVERTER	NO
PIVOT	YES
WATER PRESSURE RANGE	20psi [1.5 bar] <b>MIN</b> , 85psi [6.0 bar] <b>MAX</b>
WATER PRESSURE RECOMMENDED	45psi [3.0 bar]

# INSTALLATION GUIDELINES

## BODY SPRAY BAR

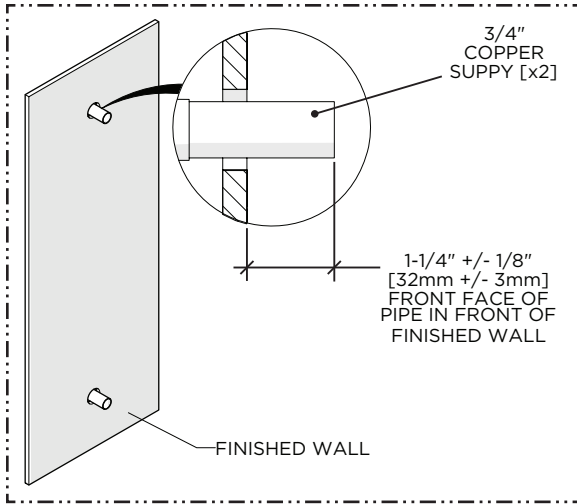
### ROUGH-IN:

- Determine the ideal location for the SPRAY BAR, run well supported 3/4" copper supply lines for **MAXIMUM** water flow, plumb a pressure balancing loop, and flush out supply lines to clear out any debris.
- **WARNING:** If the rough-in is not accurate it will make installation difficult or impossible. Verify the supply lines are secure, level, perpendicular to the finished wall, parallel to each other, at the proper spread of  $25\text{-}5/8" \pm 1/8"$  [651mm  $\pm$  3mm], and at equal depths.
- **IMPORTANT:** The supply lines **MUST** project a **MINIMUM** of 2" [51mm] from the surface of the finished wall.

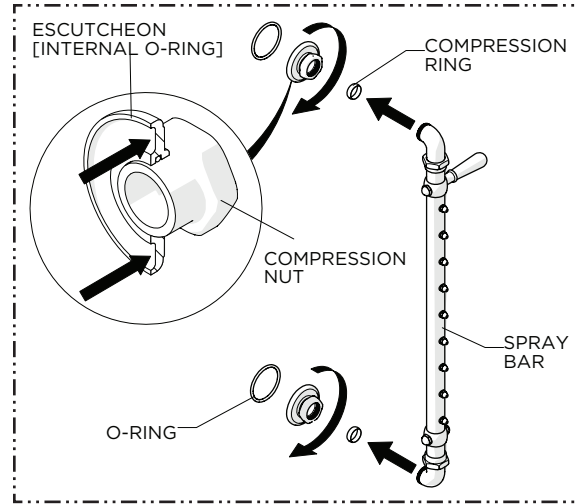


# INSTALLATION GUIDELINES

## BODY SPRAY BAR

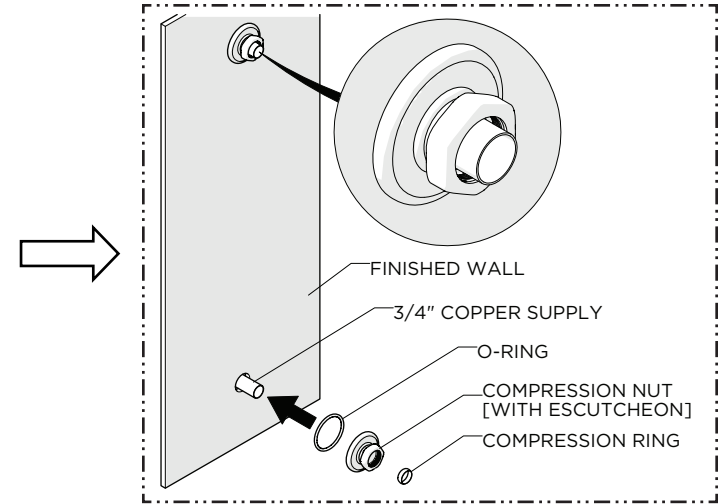


1. Ensure the SUPPLIES project a final length of 1-1/4" ± 1/8" [32mm ± 3mm] from the surface of the finished wall.

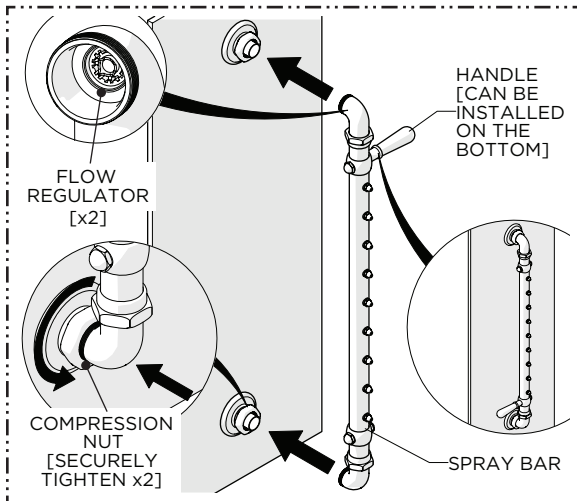


2. Slide the ESCUTCHEONS up the COMPRESSION NUTS then unthread and remove the NUTS from the SPRAY BAR.

**NOTE:** Do **NOT** discard the O-RINGS or COMPRESSION RINGS.

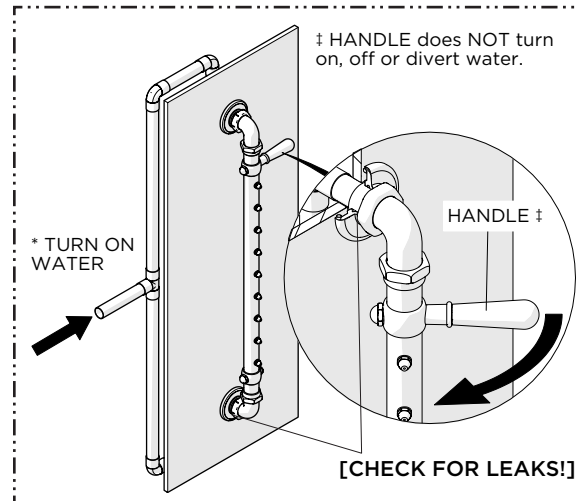


3. Slide the O-RING, COMPRESSION NUTS with the ESCUTCHEONS, and COMPRESSION RINGS onto the SUPPLIES.



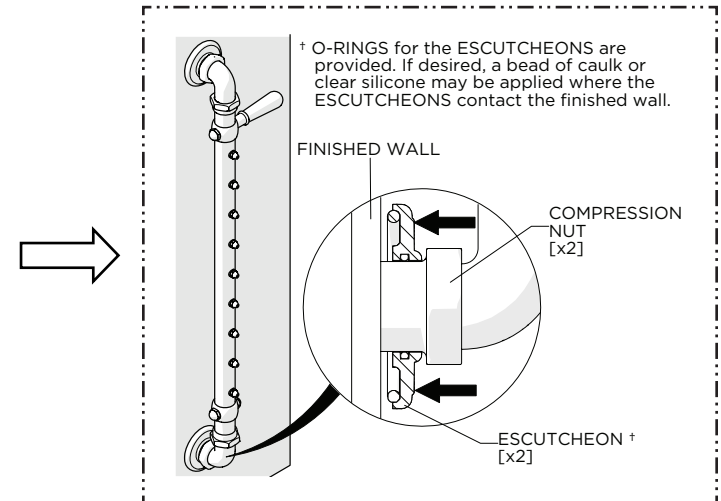
4. Slide the BAR over the SUPPLIES then thread and securely tighten the COMPRESSION NUTS onto the BAR. The SPRAY BAR can be installed with the HANDLE on the top or bottom.

**NOTE:** FLOW REGULATORS are located in the inlets of the SPRAY BAR. Replacement REGULATORS (STYLE No. 100343) can be ordered separately.



5. Turn on the water and a diverter/wall valve (sold separately), operate the HANDLE to ensure it functions properly, and inspect all connections for leaks then turn the water off.

**NOTE:** The HANDLE does **NOT** turn on, off, or divert water. It **ONLY** adjusts the spray direction.



6. Slide the ESCUTCHEONS down the COMPRESSION NUTS until they contact the finished wall.