

ALTA

ALVN12

Alta Double Vanity with Square Legs with SALV26 Sinks and Slab 67" x 22 1/2" x 34 1/2" with 4" x 3/4" Backsplash



SHOWN IN ALTA DOUBLE VANITY WITH SQUARE LEGS WITH SALV26 SINKS AND SLAB 67" X 22 1/2" X 34 1/2" WITH 4" X 3/4" BACKSPASH | ALVN12

TECHNICAL DETAILS

ADA Compliance: No
Adjustable Levelers Feet: N
Bowl Shape: Oval
Depth To Overflow: 4 1/2"
Drain Hole Depth: 1 3/4"
Drain Hole Diameter: 1 3/4"
Fittings Hole Depth: 1 1/4"
Fittings Hole Diameter: 1 3/8"
Overflow Opening: Yes
Primary Material: Wood
Sink Visibility: N

INSPIRATION

Modern & minimalist. Alta incorporates mid-century elements with notable architectural & industrial influences.

CODES & STANDARDS

PRODUCT FEATURES

Designed by and exclusive to Waterworks

Vanity with three drawers; Hardware sold separately

Stocked in Clear Oak Finish

Includes Saxby sinks and choice of stocked stone tops in Carrara or Arabescato

Install with or without backsplash (included)

CERTIFICATIONS

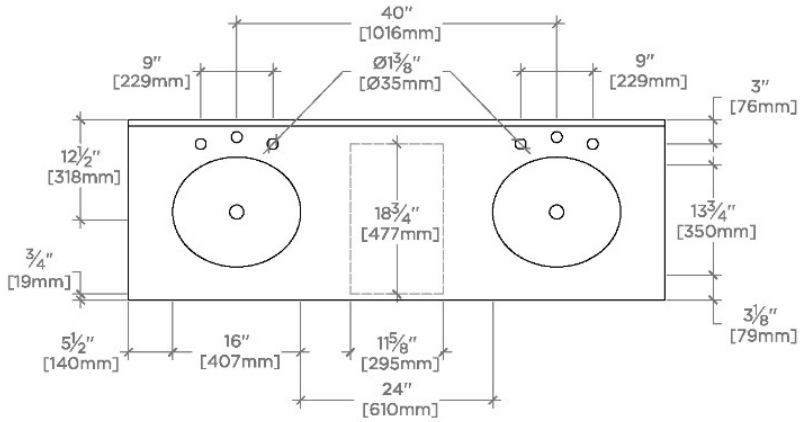
PRODUCT (NOTES)

WATERWORKS

ALTA

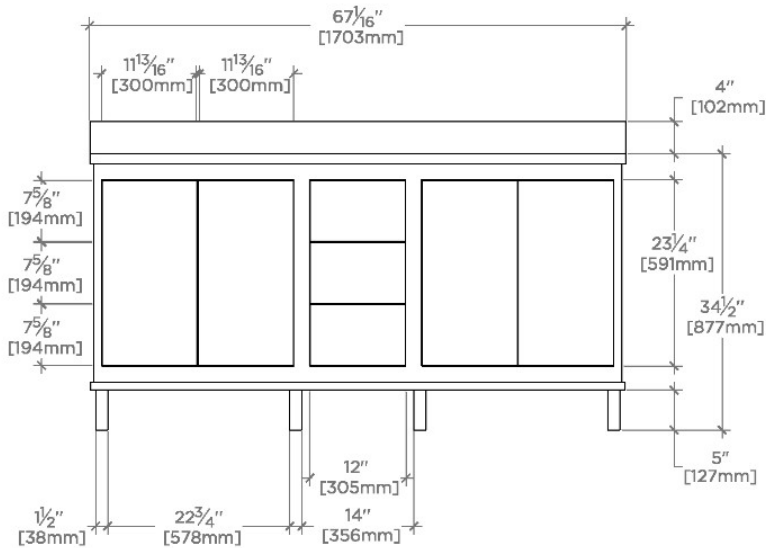
ALVN12

Alta Double Vanity with Square Legs with SALV26 Sinks and Slab 67" x 22 1/2" x 34 1/2" with 4" x 3/4" Backsplash



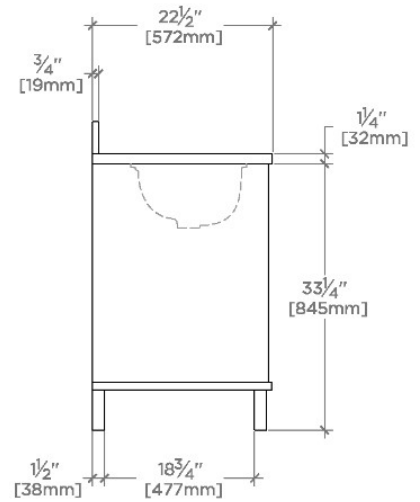
TOP VIEW

SCALE: 1/2"=1'-0"



FRONT VIEW

SCALE: 1/2"=1'-0"



SIDE VIEW

SCALE: 1/2"=1'-0"