

## FLYTE

## FL50LS

Flyte Low Profile One Hole Deck Mounted Lavatory Faucet with Metal Lever Handles



SHOWN IN FLYTE LOW PROFILE ONE HOLE DECK MOUNTED LAVATORY FAUCET WITH METAL LEVER HANDLES| FLL50

### TECHNICAL DETAILS

ADA Compliance: Yes  
Adjustable versus Fixed Spray: Fixed Spray  
Deck Thickness Maximum: 97 mm  
Deck Thickness Minimum: 0 mm  
Drain Depth Maximum: 51 mm  
Drain Hole Diameter: 38 mm  
Escutcheon Primary Material: Brass  
Fittings Hole Diameter: 35 mm  
Flow Restriction Options: 1.0 , 1.2 , 1.5 , 1.75 , 2.2  
Handle Turn Angle: Half Turn  
Depth / Width: 194 mm  
Drain Depth Minimum: 32 mm  
Height: 105 mm  
Inlet Connection Size: 3/8"  
Inlet Connection Type: Female G/BSPP  
Installation Type: Deck Mounted  
Integrated Diverter: N  
Integrated Spray: N  
Length: 387 mm  
Number of Handles: One  
Number of Holes: One Hole  
Primary Material: Brass  
Spout Swivel: N  
Spray Included in Unit: N  
Suggested Application: Bath  
Valve Material: Ceramic  
Water Pressure Maximum: 6.0 bar  
Water Pressure Minimum: 1.5 bar  
Water Pressure Recommended: 3.0 bar

### INSPIRATION

Pure Modernism. Like minimalist works of art, the elegant proportions of these light, fluid elements bring sculptural reference to a room.

### PRODUCT FEATURES

Push touch Euro style drain included.

This item is stocked in a Chrome and Nickel finishes.

Lever Handle

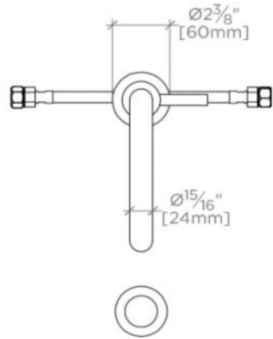
Standard flow rate is 1.2gpm (4.5 L/min) and meets State of California requirements. Also available in other flow options. Contact a sales associate for details.

# WATERWORKS

## FLYTE

## FL50LS

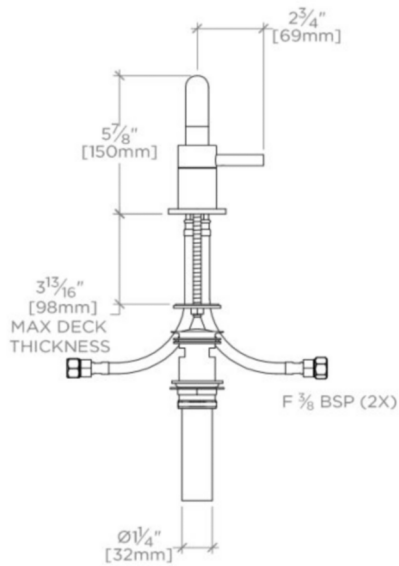
Flyte Low Profile One Hole Deck Mounted Lavatory Faucet with Metal Lever Handles



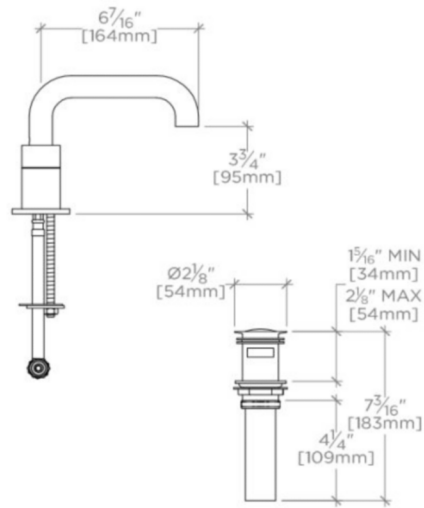
TOP VIEW SCALE: 1/2"=1'-0"



ISO VIEW SCALE: 1/2"=1'-0"



FRONT VIEW SCALE: 1/2"=1'-0"



SIDE VIEW SCALE: 1/2"=1'-0"