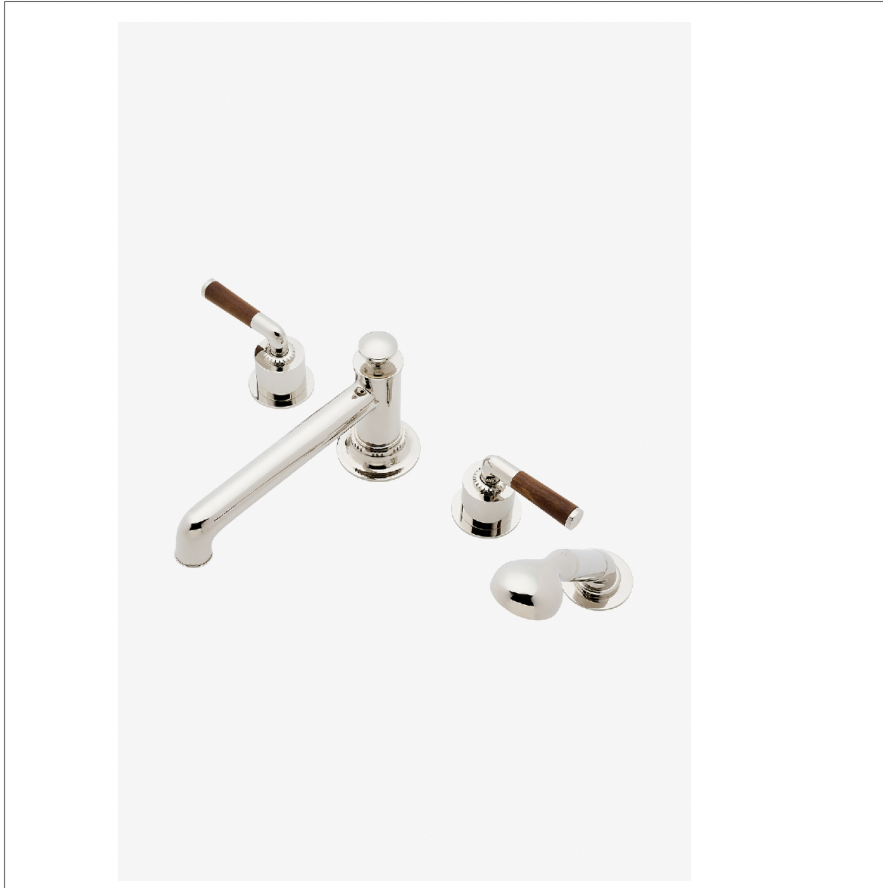


## Henry Chronos

CTF114

Henry Chronos Concealed Tub Filler with Handshower and Walnut Lever Handles



SHOWN IN HENRY CHRONOS CONCEALED TUB FILLER WITH HANDSHOWER AND WALNUT LEVER HANDLES | CTF114

### TECHNICAL DETAILS

ADA Compliance: No  
 Deck Thickness Maximum: 54 mm  
 Deck Thickness Minimum: 13 mm  
 Fittings Hole Diameter: 35 mm  
 Handle Spread Minimum: 203 mm  
 Handle Turn Angle: Quarter Turn  
 Handshower Spray Hose Length: 1.5 m  
 Inlet Connection Size: 3/4"  
 Inlet Connection Type: Male NPT  
 Integrated Diverter: Y  
 Number Of Holes: Four Hole  
 Primary Material: Brass  
 Restricted Maximum Flow Rate: 6.6 liters/min  
 Spout Swivel: N  
 Spray Included In Unit: Y  
 Valve Material: Brass and Ceramic  
 Water Pressure Maximum: 6.0 bar  
 Water Pressure Minimum: 1.5 bar  
 Water Pressure Recommended: 3.0 bar

### INSPIRATION

Inspired by dive watches, Henry Chronos radiates design prowess and technical precision. Chronos retains the design integrity of our original, iconic Henry collection, while imbuing it with modern details and exquisite materials.

### CODES & STANDARDS

CTF114-F.RX, ASME A112.18.1/CSA B125.1, CEC(1.5GPM & 1.75GPM Only), WaterSense(1.5GPM & 1.75GPM Only), DOE, State of MA

### PRODUCT FEATURES

Features Walnut Lever Handles

Solid Brass Construction

Diverter Knob Allows Bather to Move Water From Spout to Handshower

Stocked in Brass, Chrome and Nickel

Unrestricted Flow for Tub Spout. Handshower Available in 1.75gpm (4.5L/min) Flow Rate

### CERTIFICATIONS

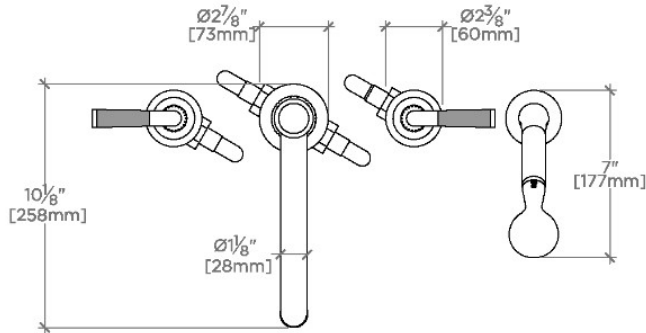


### PRODUCT (NOTES)

## Henry Chronos

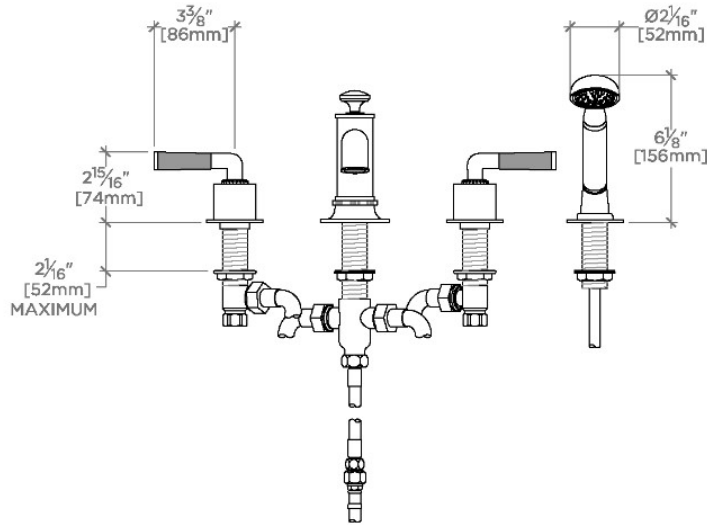
CTF114

Henry Chronos Concealed Tub Filler with Handshower and Walnut Lever Handles



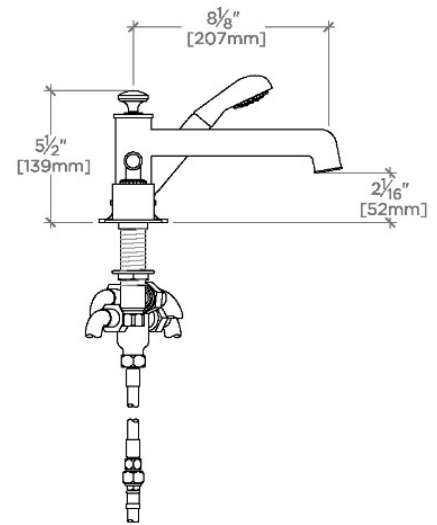
TOP VIEW

SCALE: 1/2"=1'-0"



FRONT VIEW

SCALE: 1/2"=1'-0"



SIDE VIEW

SCALE: 1/2"=1'-0"