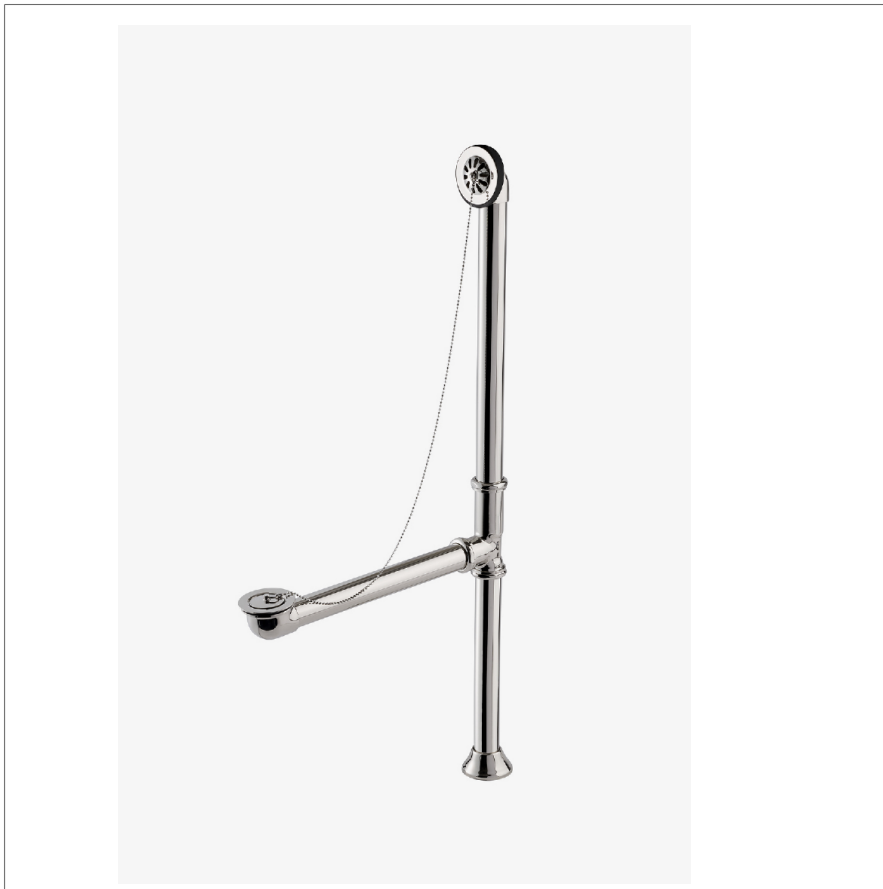


Universal

UNWO76

Universal Drain Plug Waste and Overflow Drain



SHOWN IN UNIVERSAL DRAIN PLUG WASTE AND OVERFLOW DRAIN | UNWO76

TECHNICAL DETAILS

Depth/Width: 394 mm
 Drain Assembly Materials: Brass
 Drain Depth Maximum: 32 mm
 Drain Depth Minimum: 0 mm
 Drain Hole Diameter: 51 mm
 Drain Style: Pull-out Stopper with Chain
 Escutcheon Primary Material: Brass
 Height: 699 mm
 Length: 81 mm
 Outlet Connection Size: 1 1/2"
 Outlet Connection Type: Tailpiece with Slip Fit Gasket
 Overflow Depth Maximum: 23 mm
 Overflow Depth Minimum: 0 mm
 Overflow Hole Diameter: 51 mm
 Primary Material: Brass
 Suggested Application: Bath
 Waste And Overflow Horizontal Spread Maximum: 318 mm
 Waste And Overflow Horizontal Spread Minimum: 133 mm
 Waste And Overflow Vertical Spread Maximum: 559 mm
 Waste And Overflow Vertical Spread Minimum: 152 mm

INSPIRATION

Our Universal collection features timeless designs complementing any of our Waterworks. With a wide range of product, from fittings to accessories, Universal adds exquisite proportion and balance to any environment.

CODES & STANDARDS

Code # FDWO76: ASME A112.18.2 / CSA B125.2

PRODUCT FEATURES

This plug and chain design complements a traditional environment

Stocked in Chrome, Nickel, Matte Nickel and Unlacquered Brass finishes

For use with Waterworks Beveledere, Saxby, Claremont and Classic bathtubs

CERTIFICATIONS

PRODUCT (NOTES)

WATERWORKS

Universal

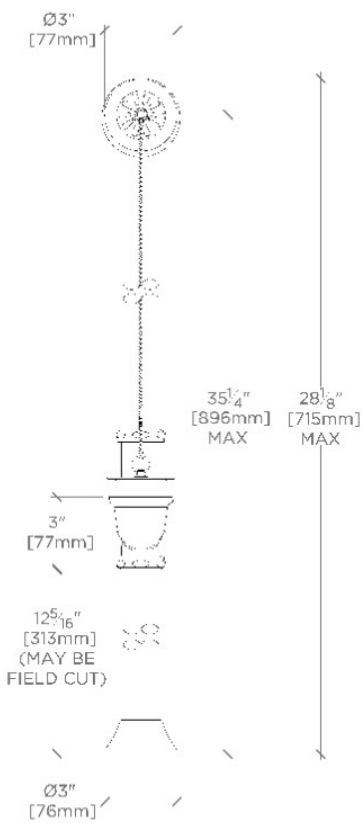
UNWO76

Universal Drain Plug Waste and Overflow Drain



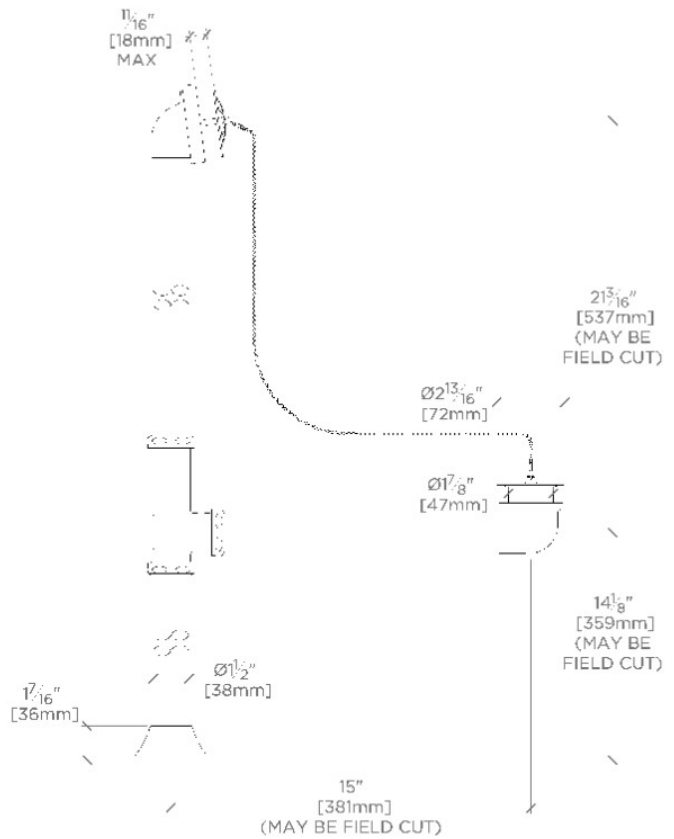
TOP VIEW

SCALE: 1 1/2" = 1'-0"



FRONT VIEW

SCALE: 1 1/2" = 1'-0"



SIDE VIEW

SCALE: 1 1/2" = 1'-0"