

BOND

BPB120

Bond Solo Series Square Pressure Balance Control Valve with Straight Lever Handle



SHOWN IN BOND SOLO SERIES SQUARE PRESSURE BALANCE CONTROL VALVE WITH STRAIGHT LEVER HANDLE | BPB120

TECHNICAL DETAILS

ADA Compliance: Yes
Fittings Hole Diameter: 3 1/2"
Number Of Holes: One Hole
Primary Material: Brass

INSPIRATION

Modern designs infused with rare soul and artistry. Explore our wide range of Bond bath and kitchen elements, from fittings to fixtures to hardware.

CODES & STANDARDS

ASME A112.18.1/CSA B125.1, State of MA

PRODUCT FEATURES

Lever Handle

Stocked in Chrome, Nickel, Brass and Dark Nickel

Requires valve, sold separately, GUPB01 (USA) or GU01PB (UK/International)

CERTIFICATIONS

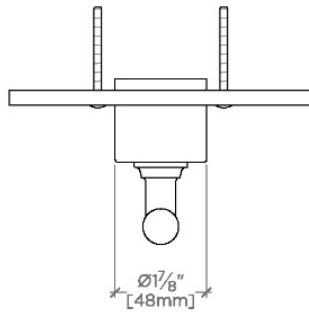


PRODUCT (NOTES)

BOND

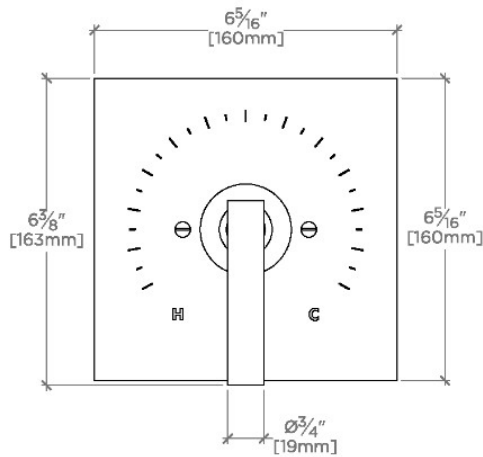
BPB120

Bond Solo Series Square Pressure Balance Control Valve with
Straight Lever Handle



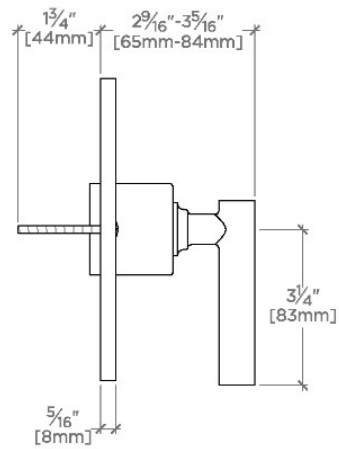
TOP VIEW

SCALE: 3"=1'-0"



FRONT VIEW

SCALE: 3"=1'-0"



SIDE VIEW

SCALE: 3"=1'-0"