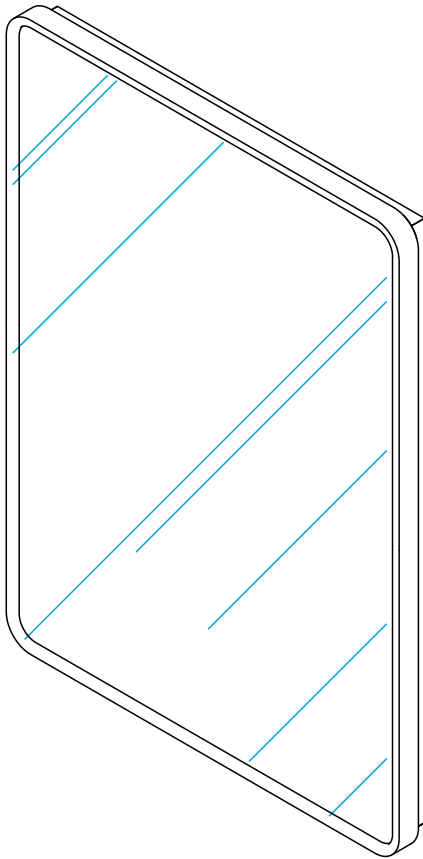


WATERWORKS

INSTALLATION GUIDELINES

STYLE NO.: BNCB01

Bond Recessed Rectangular Wall Mounted Medicine Cabinet 24" x 33
9/16" x 5 5/8"



PART LIST

- [1] Medicine Cabinet
- [2] Glass Shelves

HARDWARE LIST

- [8 Pcs.] Screw
- [8 Pcs.] Shelf Pin
- [8 Pcs.] Wooden Cap

! IMPORTANT

Please read all instructions before starting the installation. To ensure complete customer satisfaction, and installation by a professional installer is recommended.

! CAUTION

This installation type is NOT applicable for solid-wall applications.

TECHNICAL DETAILS :

DETAIL	SPECIFICATION
NUMBER OF SHELVES	2
PRIMARY MATERIAL	Brass
SHELF MATERIAL	Glass
WEIGHT	61.7 lbs.

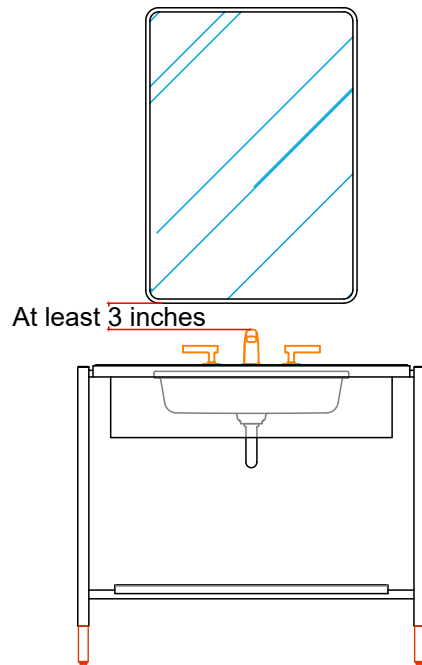
WATERWORKS

INSTALLATION GUIDELINES

STYLE NO.: BNCB01

Bond Recessed Rectangular Wall Mounted Medicine Cabinet 24" x 33 9/16" x 5 5/8"

STEP 1



Choose your installation location to allow ample clearance to open the cabinet door. Allow at least 3 inches of clearance above or below the cabinet door for lighting and faucet clearance.

NOTE:

Most cabinets can be installed with the door opening from either the Left or the right by simply rotating the cabinet.

If you can fit your recessed medicine cabinet between two wall studs, then you can skip the stud-cutting steps outlined below. Wall frames are usually 16 inches in the center, i.e. from the center of one stud to the next. Keep in mind that the stud-to-stud space will also have to be a good placement for the cabinet, e.g. aligned with the bathroom sink is more likely the ideal

STEP 2



CAUTION:

Risk of electrical shock! Turn off the electricity to the installation site before cutting into the wall.

Any electrical wires or water supply piping will need to be re-routed from the wall cavity. Consult a professional before proceeding if you encounter a drain, find piping, if your wall is load-bearing, or if you are installing to an exterior wall.

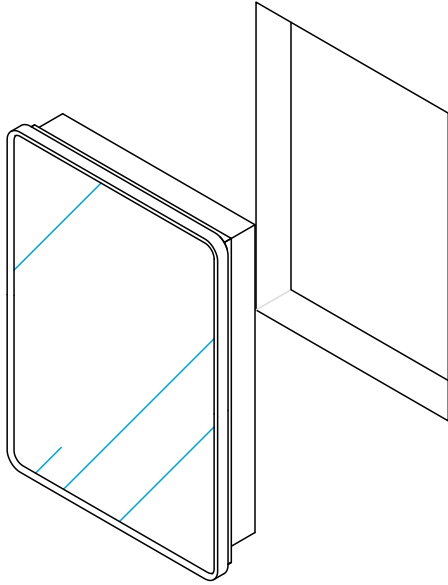
- Determine the desired installation location, if desired lightly draw the cabinet outline onto the wall.
- Cut the drywall from the cabinet space dimensions penciled on the wall, and remove drywall pieces from the stud(s).
- Use a small handsaw (or hacksaw blade) to cut any drywall screws behind the stud. That way when you cut and remove the stud, you don't rip drywall from the other side of the wall.
- To create a recess, cut the top and bottom of the exposed stud(s) in line with the opening for the cabinet. Be careful not to cut through the opposing drywall.

WATERWORKS

INSTALLATION GUIDELINES

STYLE NO.: BNCB01
Bond Recessed Rectangular Wall Mounted Medicine Cabinet 24" x 33
9/16" x 5 5/8"

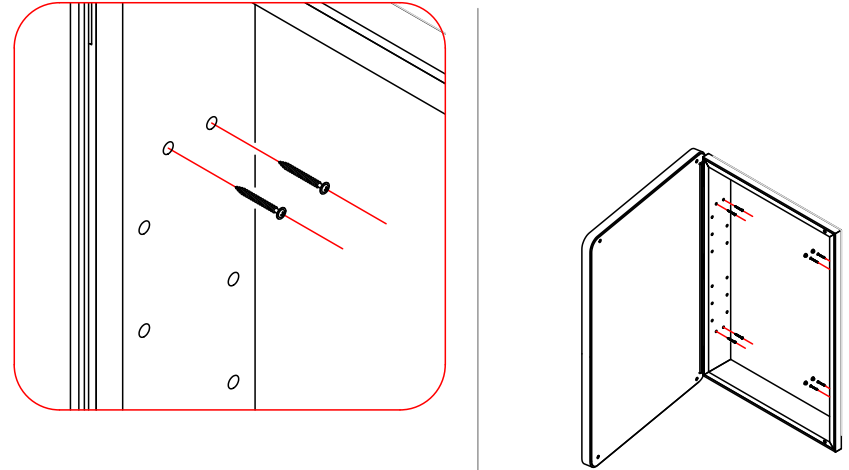
STEP 3



PRE-FIT THE CABINET AND BLOCKING INSTALLATION

- Lift the medicine cabinet and check if it fits smoothly into the opening (removing the door helps). If not, use a utility knife and/or rasp on problem spots.
- Next, measure for the blocking or cabinet frame, i.e. pieces of two by four you'll install at the top and bottom of the opening, flush with the cut drywall. The blocking will attach horizontally to the adjacent studs and the ends of the cut stud. Apply construction adhesive to the blocking ends, place between the studs, and screw into place. Add vertical blocking on the sides of the recess.

STEP 4



MOUNT THE CABINET

- Fit the cabinet inside the blocking, and press all the edges of its face frame flush against the wall. Drive drywall screws through the holes in the side of the cabinet and into the blocking. After securing the cabinet with screws cover the holes with the wooden caps provided.

STEP 5

SHELF INSTALLATION

- On both sides of the cabinet are holes for the shelf holders. The glass adjustable shelves can be installed in any position corresponding with a set of pre-bored shelf support holes. Make sure all the shelf supports are inserted completely in the holes, in the correct position, and the correct hole locations before placing the glass shelf on the supports.

NOTE

The correct installation of the glass shelf supports and shelves is extremely important. To change the orientation of the shelf support, in any way, could potentially cause glass shelf failure and breakage.

- Position the glass shelf at an angle with one end resting on the shelf holders and rest the other end into place.

NOTE

Shelf fit must be tight to ensure the shelf will remain firmly engaged during everyday use.

