

Alta

ALVN11

Alta Single Vanity with Square Legs with SALV26 Sink and Slab 37" x 22 1/2" x 34 1/2" with 4" x 3/4" Backsplash



SHOWN IN ALTA SINGLE VANITY WITH SQUARE LEGS WITH SALV26 SINK AND SLAB 37" X 22 1/2" X 34 1/2" WITH 4" X 3/4" BACKSPLASH | ALVN11

TECHNICAL DETAILS

ADA Compliance: No
Adjustable Levelers Feet: N
Bowl Shape: Oval
Depth To Overflow: 114 mm
Drain Hole Depth: 44 mm
Drain Hole Diameter: 44 mm
Fittings Hole Depth: 32 mm
Fittings Hole Diameter: 35 mm
Overflow Opening: Yes
Primary Material: Wood
Sink Visibility: N

INSPIRATION

Modern & minimalist. Alta incorporates mid-century elements with notable architectural & industrial influences.

CODES & STANDARDS

PRODUCT FEATURES

Designed by and exclusive to Waterworks

Hardware sold separately

Stocked in Clear Oak Finish

Includes Saxby sink and choice of stocked stone tops in Carrara or Arabescato

Install with or without backsplash (included)

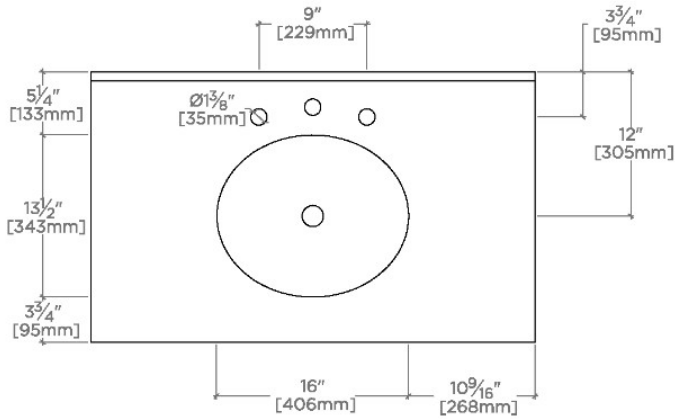
CERTIFICATIONS

PRODUCT (NOTES)

Alta

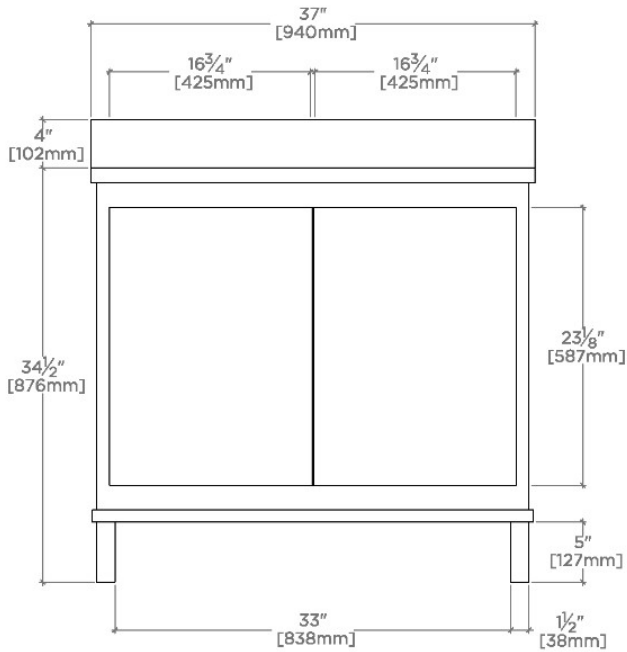
ALVN11

Alta Single Vanity with Square Legs with SALV26 Sink and Slab 37" x 22 1/2" x 34 1/2" with 4" x 3/4" Backsplash



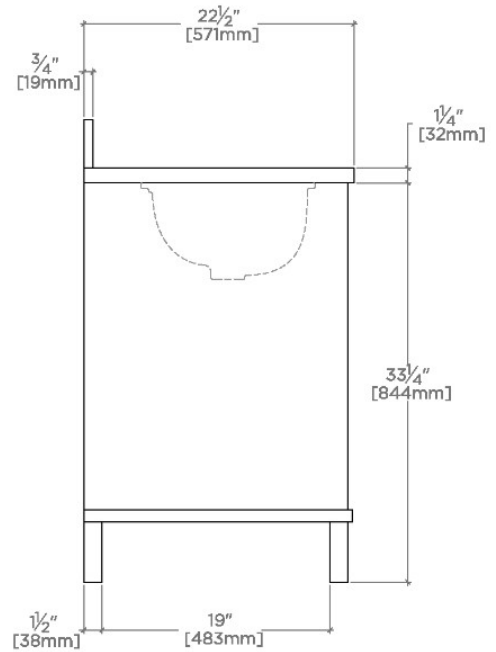
TOP VIEW

SCALE: 3/4"=1'-0"



FRONT VIEW

SCALE: 3/4"=1'-0"



SIDE VIEW

SCALE: 3/4"=1'-0"