

ALTA

ALVN08

Alta Single Vanity with Square Legs and Hardware with SALV26 Sink and Slab 37" x 22 1/2" x 34 1/2" with 4" x 3/4" Backsplash



SHOWN IN ALTA SINGLE VANITY WITH SQUARE LEGS AND HARDWARE WITH SALV26 SINK AND SLAB 37" X 22 1/2" X 34 1/2" WITH 4" X 3/4" BACKSPASH | ALVN08

TECHNICAL DETAILS

ADA Compliance: No
 Adjustable Levelers Feet: N
 Bowl Shape: Oval
 Depth To Overflow: 4 1/2"
 Drain Hole Depth: 1 3/4"
 Drain Hole Diameter: 1 3/4"
 Fittings Hole Depth: 1 1/4"
 Fittings Hole Diameter: 1 3/8"
 Overflow Opening: Yes
 Primary Material: Wood
 Sink Visibility: N

INSPIRATION

Modern & minimalist. Alta incorporates mid-century elements with notable architectural & industrial influences.

CODES & STANDARDS

PRODUCT FEATURES

Designed by and exclusive to Waterworks

Vanity with Integrated Hardware; specify Brass or Nickel when ordering

Stocked in Clear Oak Finish

Includes Saxby sink and choice of stocked stone tops in Carrara or Arabescato

Install with or without backsplash (included)

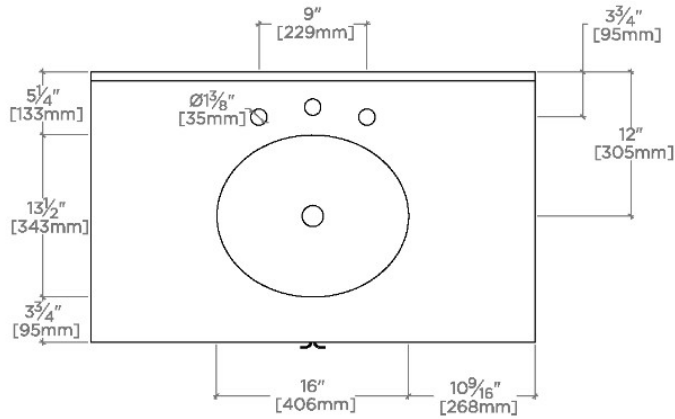
CERTIFICATIONS

PRODUCT (NOTES)

ALTA

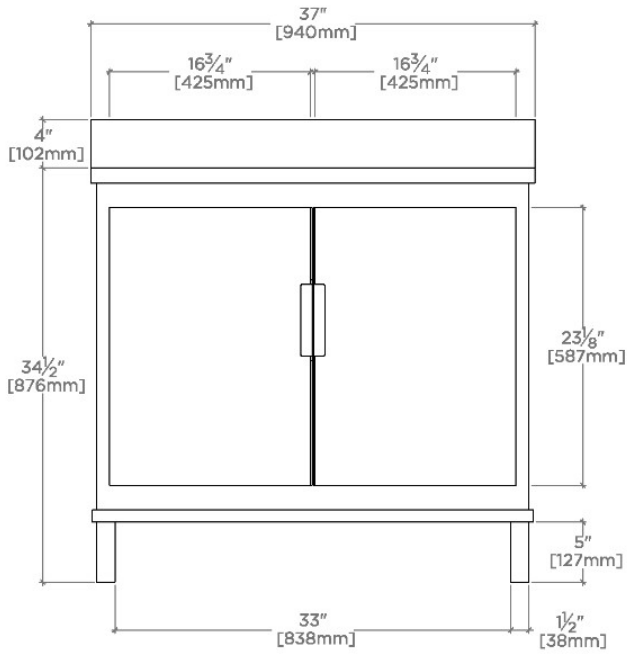
ALVN08

Alta Single Vanity with Square Legs and Hardware with
SALV26 Sink and Slab 37" x 22 1/2" x 34 1/2" with 4" x 3/4"
Backsplash



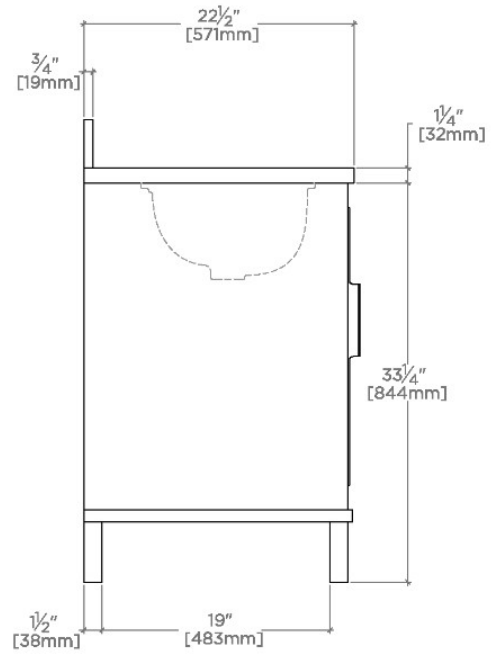
TOP VIEW

SCALE: 3/4"=1'-0"



FRONT VIEW

SCALE: 3/4"=1'-0"



SIDE VIEW

SCALE: 3/4"=1'-0"