

## Bond

BXT17E

Bond Union Series Wall Mounted Exposed Tub Filler with Handshower and Guilloche Pinstripe Lever Handles



SHOWN IN BOND UNION SERIES WALL MOUNTED EXPOSED TUB FILLER WITH HANDSHOWER AND GUILLOCHE PINSTRIPE LEVER HANDLES | BXT17E

### TECHNICAL DETAILS

ADA Compliance: No  
 Diameter Of Legs Tubes: 32 mm  
 Fittings Hole Diameter: 35 mm  
 Handle Spread Maximum: 203 mm  
 Handle Spread Minimum: 203 mm  
 Handle Turn Angle: Quarter Turn  
 Handshower Spray Hose Length: 1.5 m  
 Inlet Connection Size: 3/4"  
 Inlet Connection Type: Male NPT  
 Inlet Supply Spread Maximum: 318 mm  
 Inlet Supply Spread Minimum: 318 mm  
 Integrated Diverter: Y  
 Number Of Holes: Two Hole  
 Primary Material: Brass  
 Spout Swivel: N  
 Spray Included In Unit: Y  
 Valve Material: Ceramic  
 Water Pressure Maximum: 6.0 bar  
 Water Pressure Minimum: 1.5 bar  
 Water Pressure Recommended: 3.0 bar

### INSPIRATION

Modern designs infused with rare soul and artistry. Explore our wide range of Bond bath and kitchen elements, from fittings to fixtures to hardware.

### CODES & STANDARDS

ASME A112.18.1/CSA B125.1, CEC, State of MA

### PRODUCT FEATURES

Lever Handles

Diverter knob allows bather to move water from spout to handshower. Handshower features 2-1/8" head with rubber nozzles.

Stocked in Chrome, Nickel, Brass and Dark Nickel

Unrestricted flow for tub spout. Handshower available in 1.75gpm (6.6L/min) flow rate

### CERTIFICATIONS

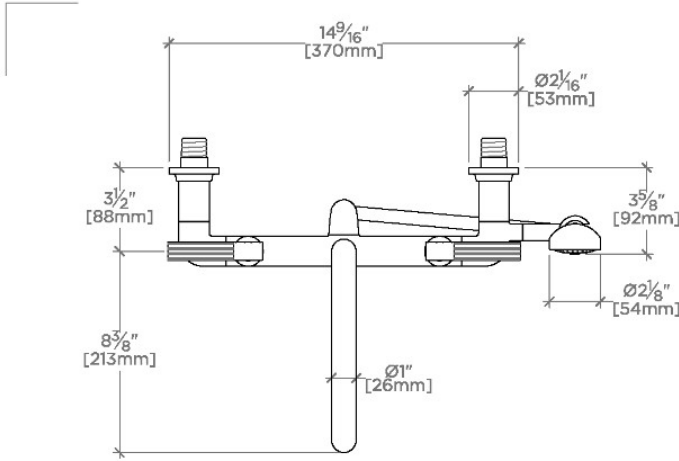


### PRODUCT (NOTES)

## Bond

## BXT17E

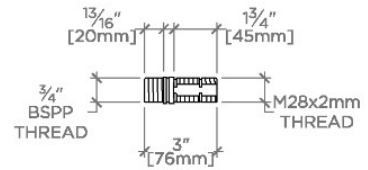
Bond Union Series Wall Mounted Exposed Tub Filler with Handshower and Guilloche Pinstripe Lever Handles



TOP VIEW

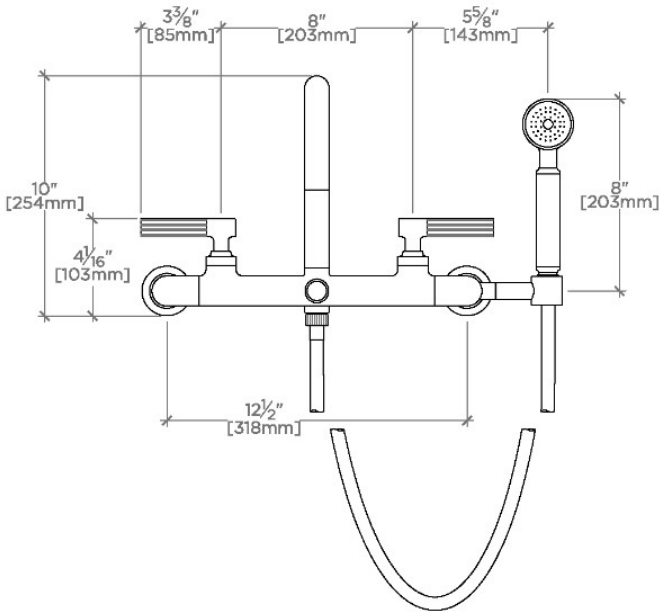
SCALE: 1/2"=1'-0"

† 2 ADAPTERS SUPPLIED  
INTERNATIONAL USE ONLY



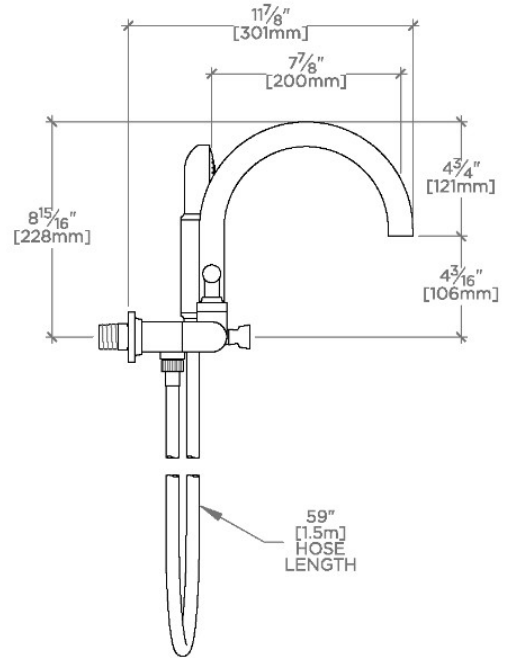
BSPP ADAPTER †

NOT TO SCALE



FRONT VIEW

SCALE: 1/2"=1'-0"



SIDE VIEW

SCALE: 1/2"=1'-0"