

## Bond

BXT37A

Bond Tandem Series Floor Mounted Exposed Tub Filler with Handshower and Guilloche Lines Lever Handles



SHOWN IN BOND TANDEM SERIES FLOOR MOUNTED EXPOSED TUB FILLER WITH HANDSHOWER AND GUILLOCHE LINES LEVER HANDLES | BXT37A

### TECHNICAL DETAILS

ADA Compliance: No  
 Diameter Of Legs Tubes: 32 mm  
 Fittings Hole Diameter: 35 mm  
 Handle Spread Maximum: 203 mm  
 Handle Spread Minimum: 203 mm  
 Handle Turn Angle: Quarter Turn  
 Handshower Spray Hose Length: 1.5 m  
 Inlet Connection Size: 3/4"  
 Inlet Connection Type: Sweat  
 Inlet Supply Spread Maximum: 318 mm  
 Inlet Supply Spread Minimum: 318 mm  
 Integrated Diverter: Y  
 Number Of Holes: Two Hole  
 Primary Material: Brass  
 Spout Swivel: N  
 Spray Included In Unit: Y  
 Valve Material: Ceramic  
 Water Pressure Maximum: 6.0 bar  
 Water Pressure Minimum: 1.5 bar  
 Water Pressure Recommended: 3.0 bar

### INSPIRATION

Modern designs infused with rare soul and artistry. Explore our wide range of Bond bath and kitchen elements, from fittings to fixtures to hardware.

### CODES & STANDARDS

ASME A112.18.1/CSA B125.1, CEC, State of MA

### PRODUCT FEATURES

Lever Handles

Diverter handle allows bather to move water from spout to handshower. Handshower features 2-1/8" head with rubber nozzles.

Features Linear Guilloche Etching Handle

Stocked in Nickel and Brass

Unrestricted flow for tub spout. Handshower available in 1.75gpm (6.6L/min) flow rate

### CERTIFICATIONS



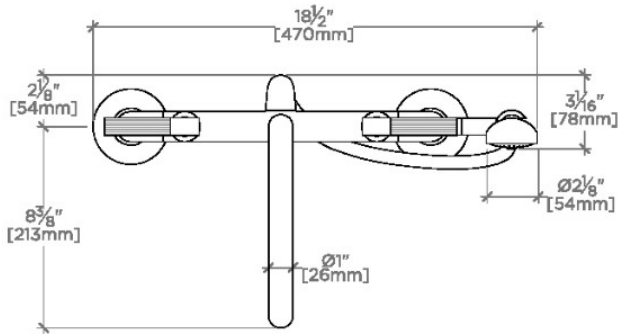
### PRODUCT (NOTES)

# WATERWORKS

## Bond

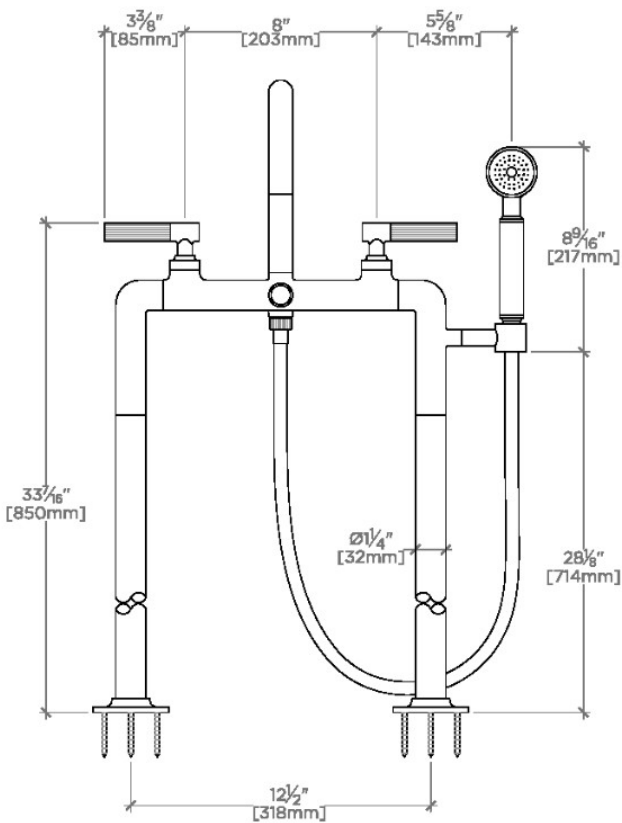
BXT37A

Bond Tandem Series Floor Mounted Exposed Tub Filler with Handshower and Guilloche Lines Lever Handles



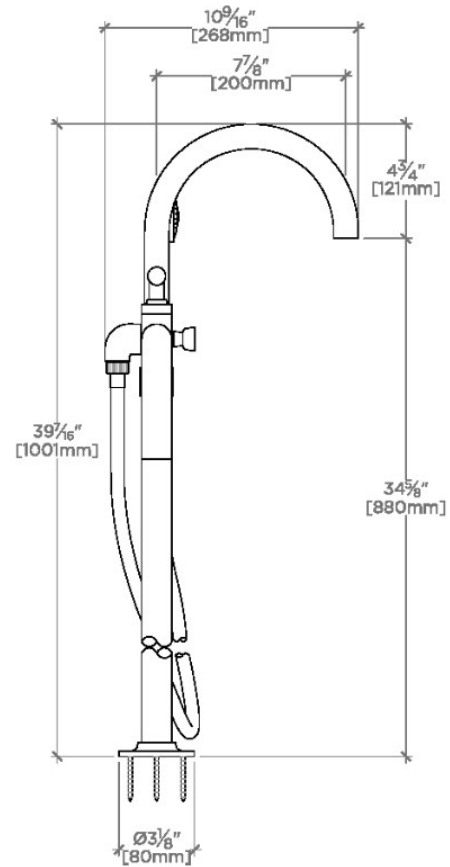
TOP VIEW

SCALE: 1/2"=1'-0"



FRONT VIEW

SCALE: 1/2"=1'-0"



SIDE VIEW

SCALE: 1/2"=1'-0"