

EASTON

EATH09

Easton Classic Thermostatic Control Valve Trim with Black Porcelain Lever Handle



SHOWN IN EASTON CLASSIC THERMOSTATIC CONTROL VALVE TRIM WITH BLACK PORCELAIN LEVER HANDLE| EATH09

TECHNICAL DETAILS

ADA Compliance: Yes
Control Valve Rough-in Depth Maximum: 203 mm
Control Valve Rough-in Depth Minimum: 51 mm
Diverter Valve Rough-in Depth Maximum: 96 mm
Diverter Valve Rough-in Depth Minimum: 72 mm
Index Color / Finish and Material: Metal
Depth / Width: 89 mm
Height: 159 mm
Integrated Diverter: N
Length: 152 mm
Primary Material: Brass
Suggested Application: Bath

INSPIRATION

Drawing on Edwardian style, Easton is the most extensive Waterworks family; a range of moods and a selection of products from fittings to furniture.

CODES & STANDARDS

Code # EASV09: ASME A112.18.1, CSA B125, IAPMO, State of MA

PRODUCT FEATURES

Brass metal is used for all trim and valve components
The manufacturing process encompasses casting, turning, forging, hand-fitting and hand polishing.
Easton is our most comprehensive fittings family.
Easton has a clean-lined utilitarian profile, with a slightly elongated spout.

CERTIFICATIONS



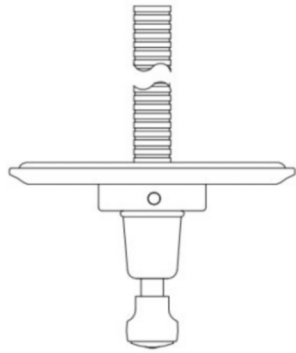
PRODUCT (NOTES)

Valve sold separately.

EASTON

EATH09

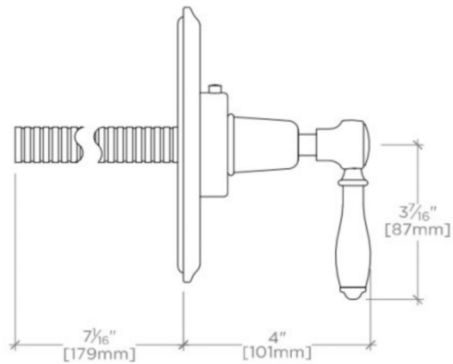
Easton Classic Thermostatic Control Valve Trim with Black Porcelain
Lever Handle



TOP VIEW SCALE: 3"=1'-0"



FRONT VIEW SCALE: 3"=1'-0"



SIDE VIEW SCALE: 3"=1'-0"