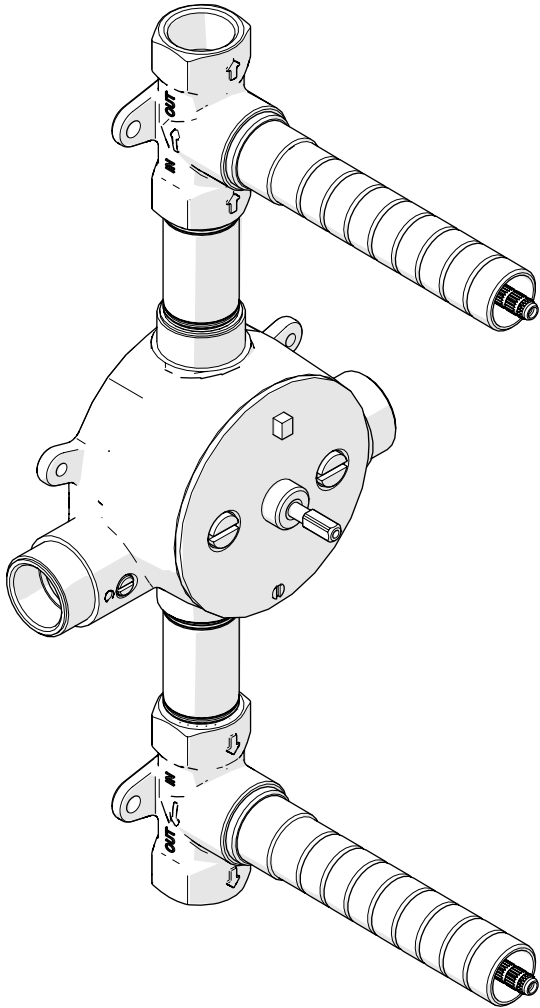


# WATERWORKS

## INSTALLATION GUIDELINES

### STYLE NO. GUTH47, GU47TH†



#### IMPORTANT:

- To ensure this VALVE is installed properly, you must read and follow these guidelines.
- The owner/user of this VALVE must keep this information for future reference.
- This VALVE and associated TRIM (SOLD SEPARATELY) must be installed by a professional licensed contractor and must be onsite prior to rough-in. This allows the installer to visualize the installation.

STYLE No. GUTH47, GU47TH

ViaWorks 3/4" Thermostatic Valve with Integrated Dual Volume Controls

- **CAUTION:** The VALVE rough-in depth is measured from the center of the inlets to the surface of the finished wall and **VARIES** depending on the TRIM being used.
- This VALVE is intended to work with a Thermostatic with Shutoffs Trim and **MUST BE** installed vertically as shown. This VALVE, and its TRIM, **CANNOT BE** installed horizontally.
- This VALVE is sold partially assembled but shown fully disassembled for illustrative and service purposes only. Inspect the VALVE to ensure you have all the parts required for proper installation.
- **WARNING:** This VALVE features anti-scald protection. The risk of scalding exists until the installer has properly calibrated/adjusted the temperature setting during final TRIM installation.
- Be sure your installation conforms to all federal, state, and local codes. In the State of Massachusetts, all installations must comply with the rules and regulations set forth within 248 CMR.
- Supply fittings are designed in accordance with pressure and temperature ratings specified in ASME A112.18.1/B125.
- If this VALVE will remain unused for an extended period of time (over 3 months), then the water to the VALVE should be shut off (via service stops or system control valve) and a diverter or wall valve(s) should be opened to allow the water in the THERMOSTATIC VALVE to evaporate. This is to keep the CARTRIDGE from being exposed to stagnant or hard water, which can cause the VALVE to malfunction.
- If further assistance is required, please contact Product Support at 1-800-927-2120 Monday through Friday, 8am – 6pm EST.
- Refer to the separate Service Parts Documents for available replacement parts.

#### VALVE FUNCTION:

- The THERMOSTATIC VALVE only mixes hot and cold water, it does not have an on/off/volume control function. The integrated VOLUME CONTROL VALVES controls on/off/volume.
- ALL VALVES AND TRIMS SOLD SEPARATELY.

#### TECHNICAL DETAILS:

DETAIL	SPECIFICATION
INLET/OUTLET CONNECTIONS	3/4" FEMALE NPT †
ROUGH-IN DEPTH	VARIES ‡
UNRESTRICTED MAX FLOW RATE @ 45 PSI [3 bar]	15 GPM [56L/min]
WATER PRESSURE MAXIMUM	85psi [6.0 bar]
WATER PRESSURE MINIMUM	20psi [1.5 bar]
WATER PRESSURE RECOMMENDED	45psi [3.0 bar]

† Style No. **GU47TH** are provided with 4 **BSPP** ADAPTERS. ADAPTERS are packaged separately and assembly is required. Replacement ADAPTERS can be ordered separately.

- Universal 3/4" Male NPT x 3/4" Female BSPP Adapter  
Style No. UNUK01

‡ Refer to the Installation Guidelines of the specific TRIM being used for the **MAXIMUM** and **MINIMUM** rough-in depth dimensions.

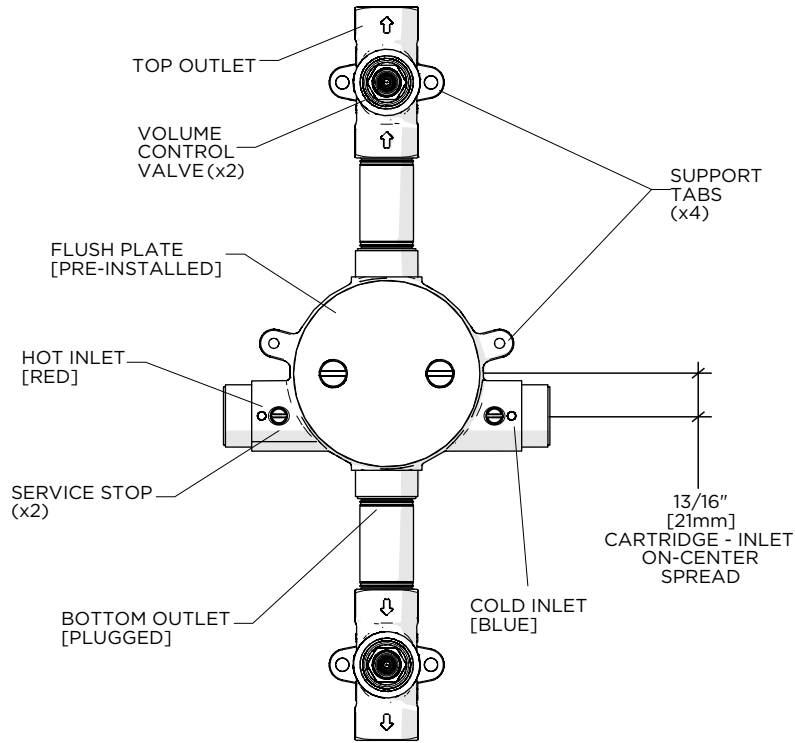
# WATERWORKS

## INSTALLATION GUIDELINES

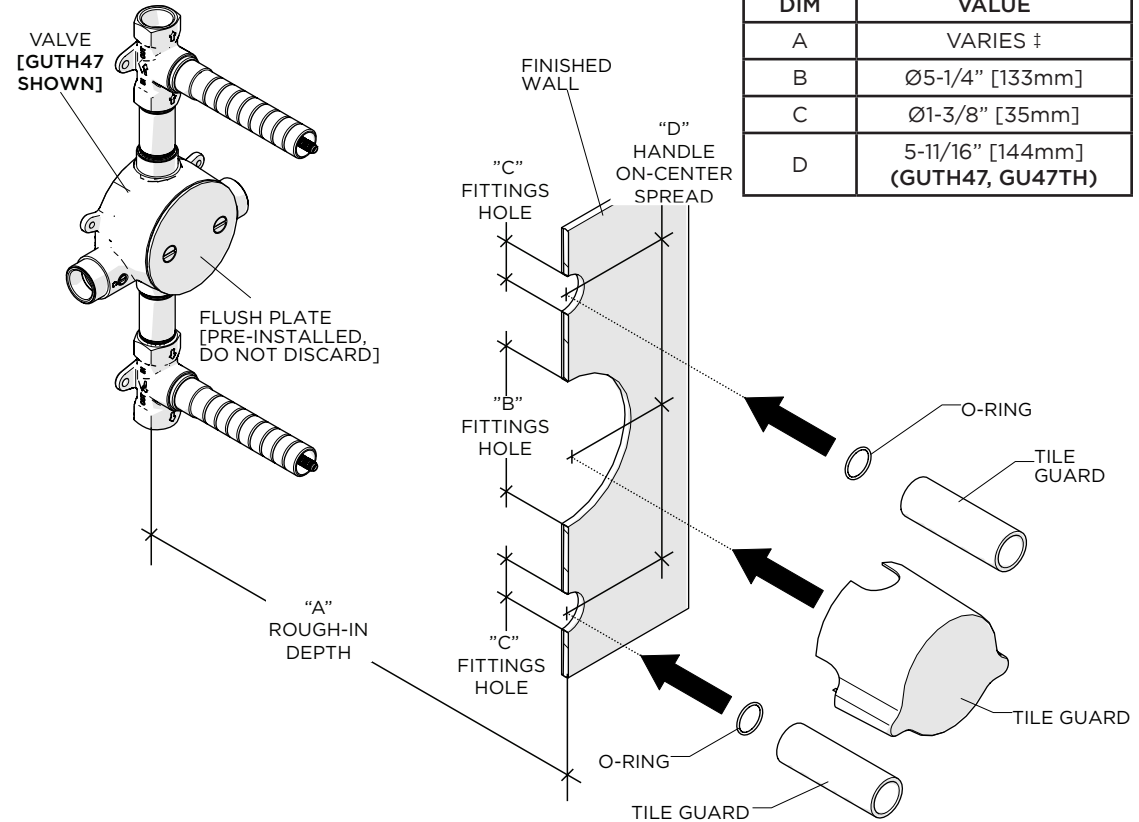
STYLE No. GUTH47, GU47TH

ViaWorks 3/4" Thermostatic Valve with Integrated Dual Volume Controls

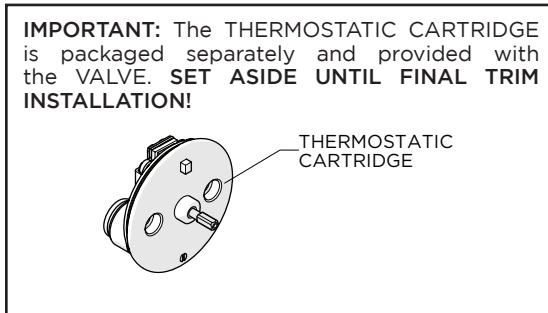
### ROUGH-IN AND VALVE PREPARATION:



- Check incoming water pressure.
- The rough-in depth is measured from the center of the inlets to the surface of the finished wall and **VARIABLES** depending on the TRIM being used.
- **CAUTION: DO NOT APPLY DIRECT HEAT TO THE VALVE.** Pre-solder any connections to prevent damage to the SERVICE STOP SEALS, THERMOSTATIC CARTRIDGE, and other internal components.
- This VALVE is shipped with a pre-installed FLUSH PLATE and is ready for flushing the lines.
- Before installing the THERMOSTATIC CARTRIDGE, the supply lines MUST BE flushed out to prevent clogging of the FILTER SCREENS.
- Failure to flush the lines will permanently damage the CARTRIDGE and **VOID** the warranty. Repeat the flushing process as needed prior to final TRIM installation.
- This VALVE includes integrated SERVICE STOPS. Make sure the TILE GUARDS are in place prior to finished wall installation to ensure future access for servicing.



DIM	VALUE
A	VARIABLES ‡
B	Ø5-1/4" [133mm]
C	Ø1-3/8" [35mm]
D	5-11/16" [144mm] (GUTH47, GU47TH)



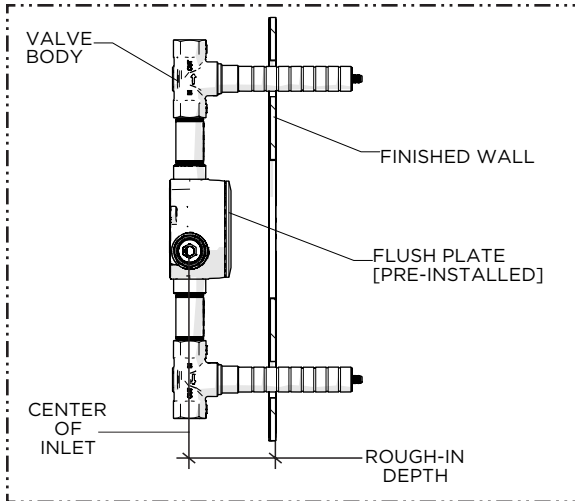
‡ Refer to the Installation Guidelines of the specific TRIM being used for the **MAXIMUM** and **MINIMUM** rough-in depth dimensions.

# WATERWORKS

## INSTALLATION GUIDELINES

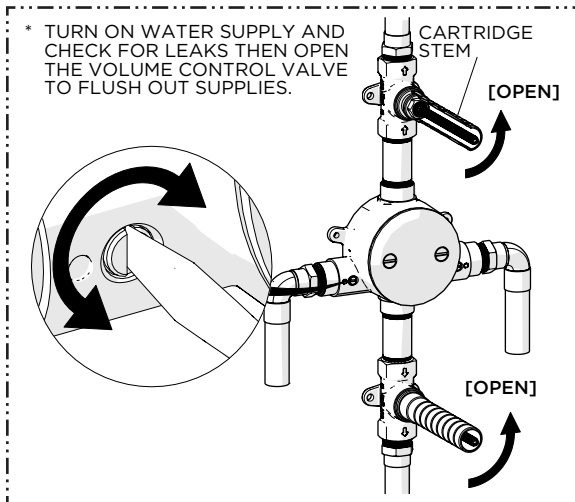
STYLE No. GUTH47, GU47TH

ViaWorks 3/4" Thermostatic Valve with Integrated Dual Volume Controls



1. See the Installation Guidelines of the specific TRIM (sold separately) being used for the MAX and MIN rough-in depth dimensions.

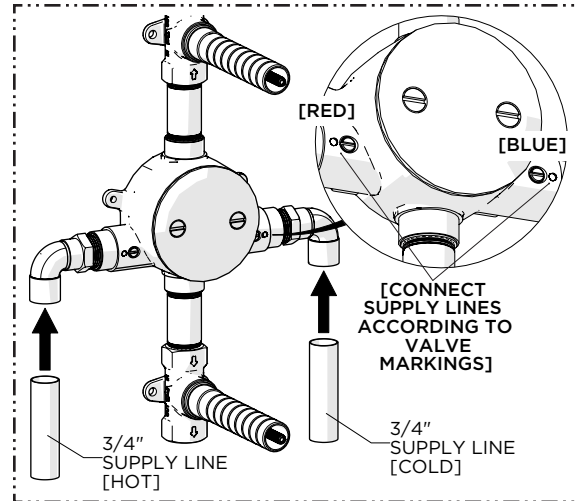
**NOTE:** The rough-in depth is measured from the center of the inlets to the surface of the finished wall.



4. Turn on the water supplies then open the SERVICE STOPS (hot & cold) and the integrated VOLUME CONTROL VALVE to flush out the lines and check for leaks.

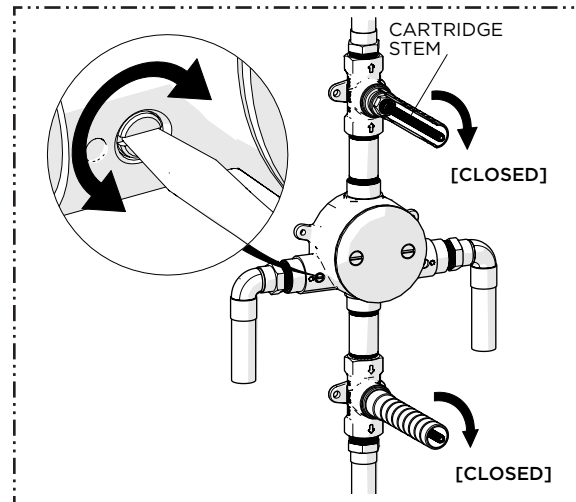
**CAUTION: FAILURE TO FLUSH THE SUPPLY LINES WILL PERMANENTLY DAMAGE THE CARTRIDGE AND VOID THE WARRANTY!**

PRODUCT SUPPORT | 800.927.2120 | WATERWORKS.COM

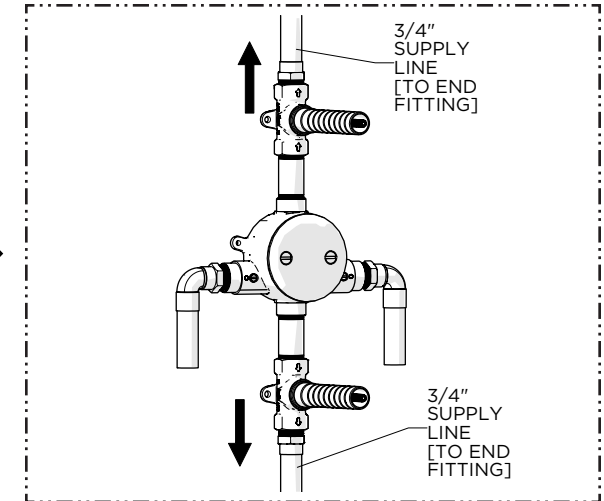


2. Run 3/4" supply lines to the proper height and depth of the VALVE INLETS making sure they are piped according to the VALVE markings and all piping and fittings are properly secured.

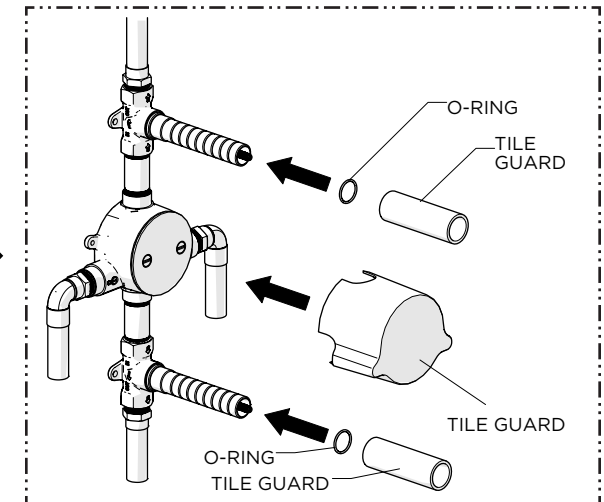
**NOTE:** Style No. GU47TH is provided with 4 BSSP ADAPTERS.



5. After the supply lines have been fully flushed, close the integrated VOLUME CONTROL VALVE and the SERVICE STOPS (hot & cold).



3. Run a 3/4" supply line from the top and bottom outlets to the desired end fittings (sold separately) making sure to secure all piping and fittings.



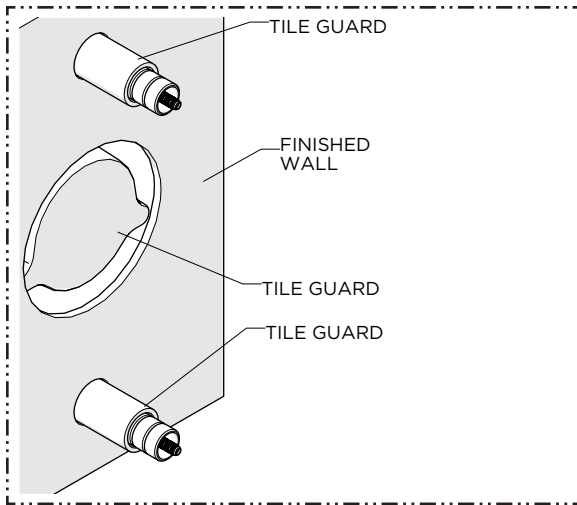
6. Place all three TILE GUARDS onto the VALVE making sure they are FULLY seated.

# WATERWORKS

## INSTALLATION GUIDELINES

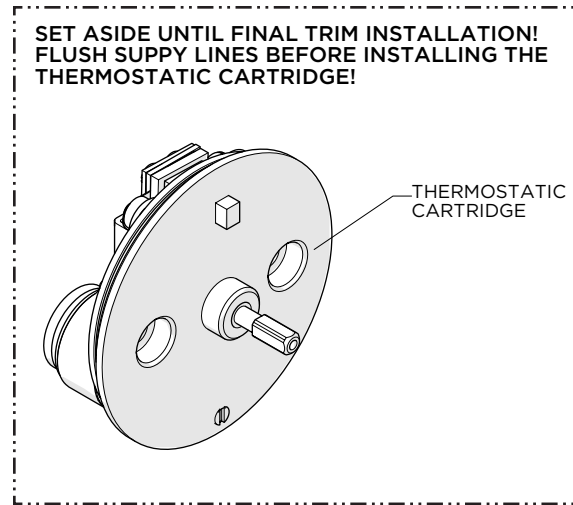
STYLE No. GUTH47, GU47TH

ViaWorks 3/4" Thermostatic Valve with  
Integrated Dual Volume Controls



7. Do **NOT** remove the TILE GUARDS until construction is completed.

**NOTE:** This will ensure the exact opening to allow access to the SERVICE STOPS is created. Access is required for future servicing.



8. **IMPORTANT :** SET ASIDE THE THERMOSTATIC CARTRIDGE UNTIL FINAL TRIM INSTALLATION MAKING SURE TO REPEAT THE FLUSHING PROCESS AS NEEDED BEFORE INSTALLING THE CARTRIDGE.