

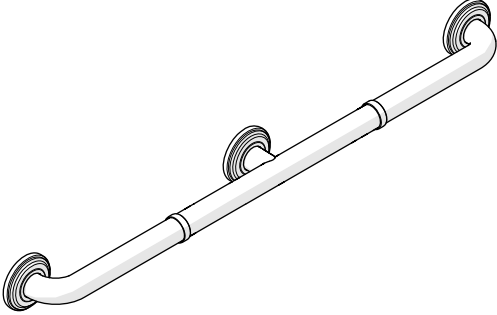
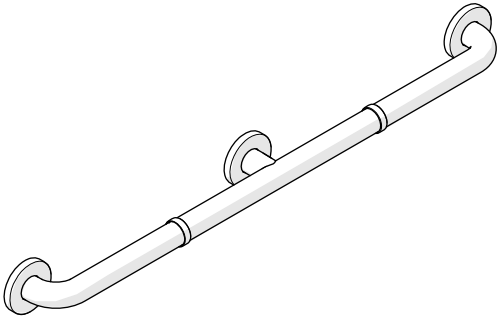
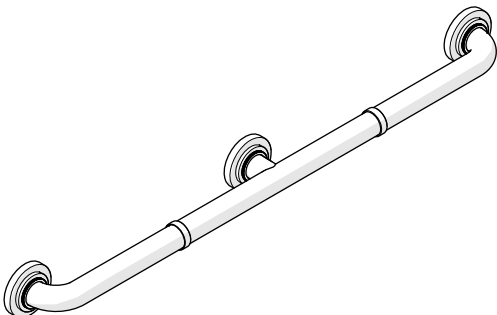
WATERWORKS

INSTALLATION GUIDELINES

STYLE No. EGB130, EGB136, EGB142, EGB148, EGB160
Essentials Classic Grab Bar

STYLE No. EGB230, EGB236, EGB242, EGB248, EGB260
Essentials Modern Grab Bar

STYLE No. EGB330, EGB336, EGB342, EGB348, EGB360
Essentials Transitional Grab Bar

	STYLE	DESCRIPTION
	EGB130 [SHOWN]	Essentials Classic 30" Grab Bar
	EGB136	Essentials Classic 36" Grab Bar
	EGB142	Essentials Classic 42" Grab Bar
	EGB148	Essentials Classic 48" Grab Bar
	EGB160	Essentials Classic 60" Grab Bar
	EGB230 [SHOWN]	Essentials Modern 30" Grab Bar
	EGB236	Essentials Modern 36" Grab Bar
	EGB242	Essentials Modern 42" Grab Bar
	EGB248	Essentials Modern 48" Grab Bar
	EGB260	Essentials Modern 60" Grab Bar
	EGB330 [SHOWN]	Essentials Transitional 30" Grab Bar
	EGB336	Essentials Transitional 36" Grab Bar
	EGB342	Essentials Transitional 42" Grab Bar
	EGB348	Essentials Transitional 48" Grab Bar
	EGB360	Essentials Transitional 60" Grab Bar

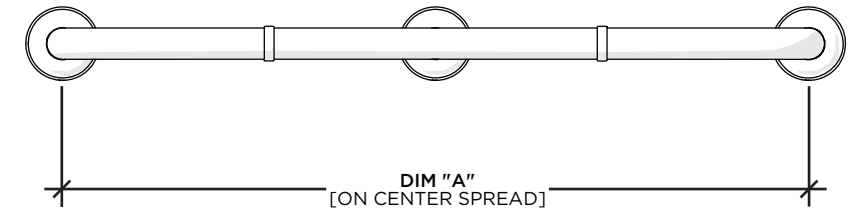
IMPORTANT:

- To ensure this product is installed properly, you must read and follow these guidelines.
- The owner/user of this product must keep this information for future reference.
- **CAUTION: BLOCKING IN THE WALL TO ADEQUATELY SECURE THE GRAB BAR IS MANDATORY! FAILURE TO ADEQUATELY SECURE THE GRAB BAR TO BLOCKING OR WALL STUD MAY RESULT IN SERIOUS INJURY!**
- This product must be installed by a professional licensed contractor.
- Inspect this product to ensure you have all the parts required for proper installation.
- If further assistance is required, please contact Product Support at 1-800-927-2120 Monday through Friday, 8am - 6pm EST.

TECHNICAL DETAILS:

DETAIL	SPECIFICATION
PRIMARY MATERIAL	BRASS
TUBE DIAMETER	1-1/4" [32mm]

ON-CENTER SPREAD:



STYLE	DIM "A"
EGB130, EGB230, EGB330	30" [762mm]
EGB142, EGB242, EGB342	36" [914mm]
EGB142, EGB242, EGB342	42" [1067mm]
EGB148, EGB248, EGB348	48" [1219mm]
EGB160, EGB260, EGB360	60" [1524mm]

WATERWORKS

INSTALLATION GUIDELINES

STYLE No. EGB130, EGB136, EGB142, EGB148, EGB160

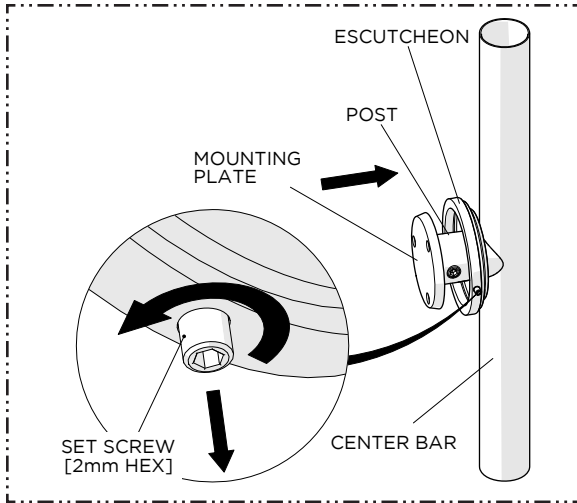
Essentials Classic Grab Bar

STYLE No. EGB230, EGB236, EGB242, EGB248, EGB260

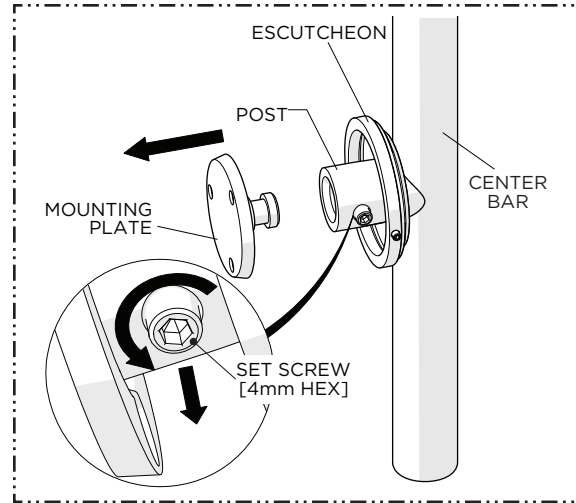
Essentials Modern Grab Bar

STYLE No. EGB330, EGB336, EGB342, EGB348, EGB360

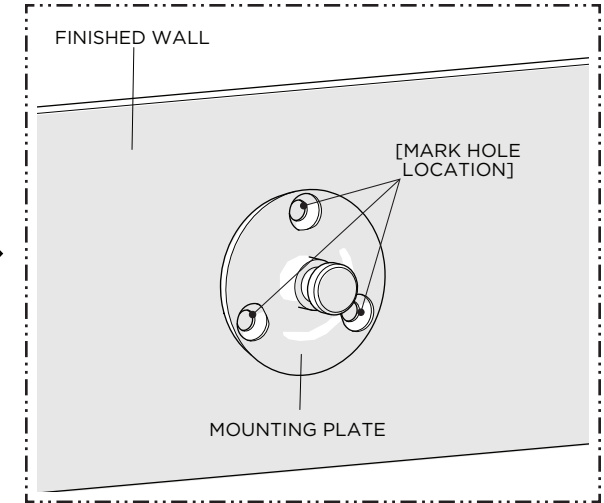
Essentials Transitional Grab Bar



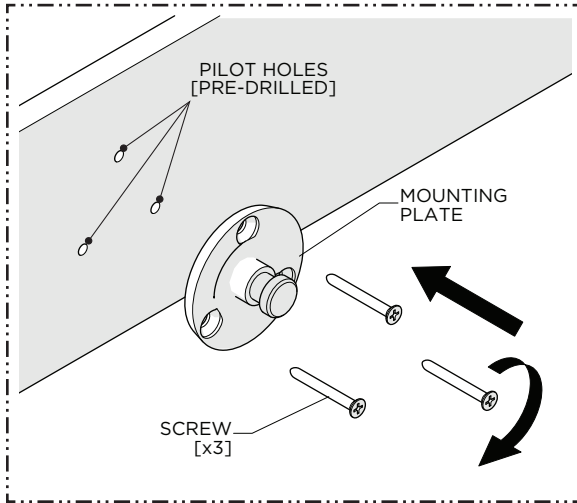
1. Loosen, but do **NOT** remove, the SET SCREW on the ESCUTCHEON of the CENTER BAR then slide the ESCUTCHEON up the POST to expose the MOUNTING PLATE.



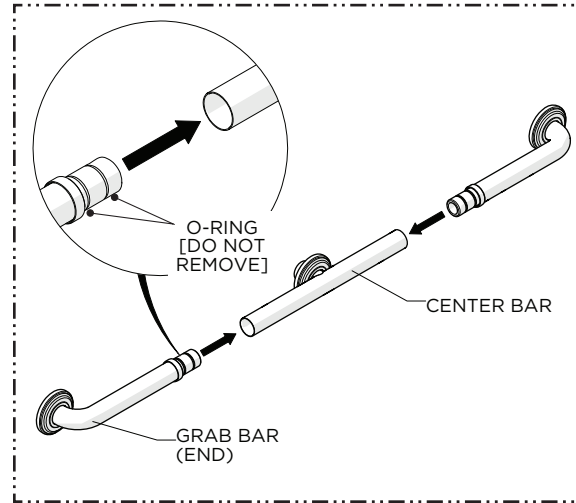
2. Loosen, but do **NOT** remove, the SET SCREW at the base of the POST then remove the MOUNTING PLATE.



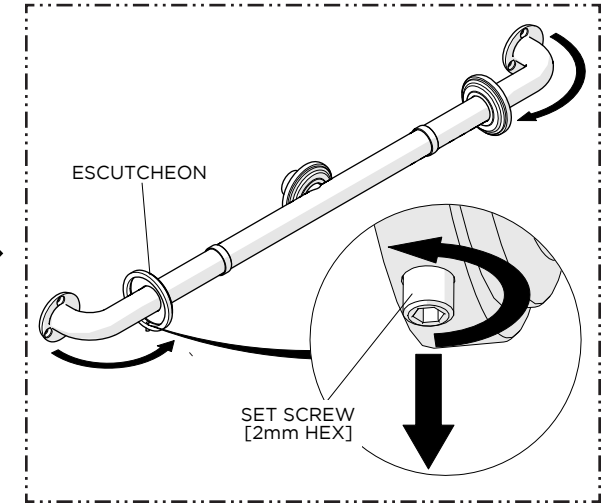
3. Place the MOUNTING PLATE on the finished wall at the desired position and mark the hole locations.
CAUTION: The MOUNTING PLATE must be positioned over blocking or stud material.



4. Using the previous marks as a reference, drill pilot holes into the blocking or stud material to accommodate the SCREWS provided then install the MOUNTING PLATE.



5. Assemble the GRAB BAR ENDS to the CENTER BAR making sure the ENDS are fully seated and properly aligned.



6. Loosen, but do **NOT** remove, the SET SCREWS on the ESCUTCHEONS of the GRAB BAR ENDS then slide the ESCUTCHEONS up the ENDS to expose the MOUNTING PLATES.

WATERWORKS INSTALLATION GUIDELINES

STYLE No. EGB130, EGB136, EGB142,
EGB148, EGB160

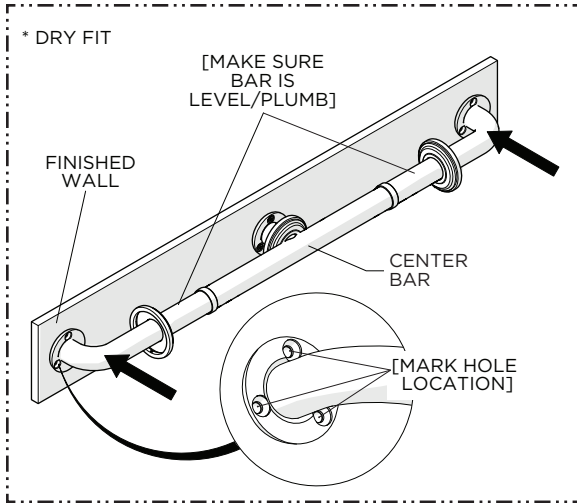
Essentials Classic Grab Bar

STYLE No. EGB230, EGB236, EGB242,
EGB248, EGB260

Essentials Modern Grab Bar

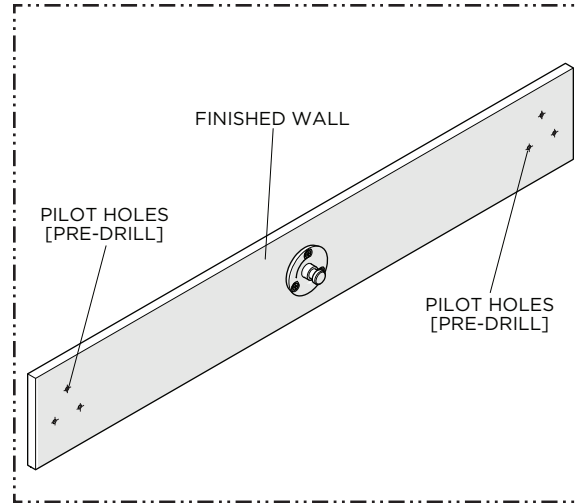
STYLE No. EGB330, EGB336, EGB342,
EGB348, EGB360

Essentials Transitional Grab Bar

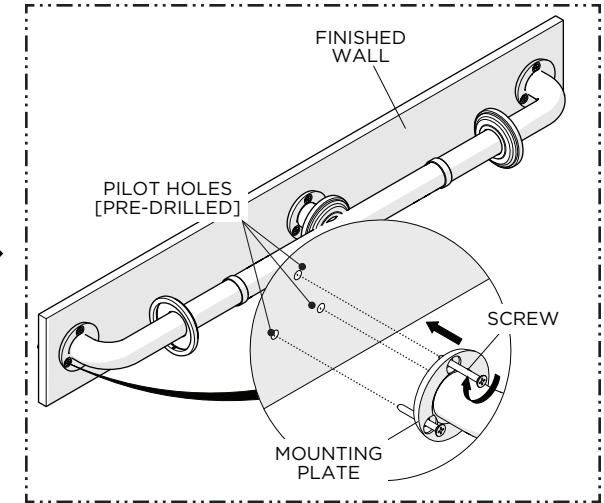


7. Dry-fit the GRAB BAR to the finished wall, making sure it is level, plumb, or at the desired orientation, and mark the hole locations.

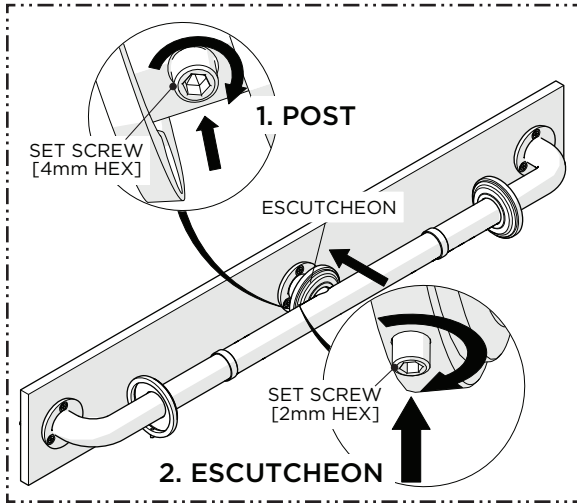
CAUTION: The MOUNTING PLATES must be positioned over blocking or stud material.



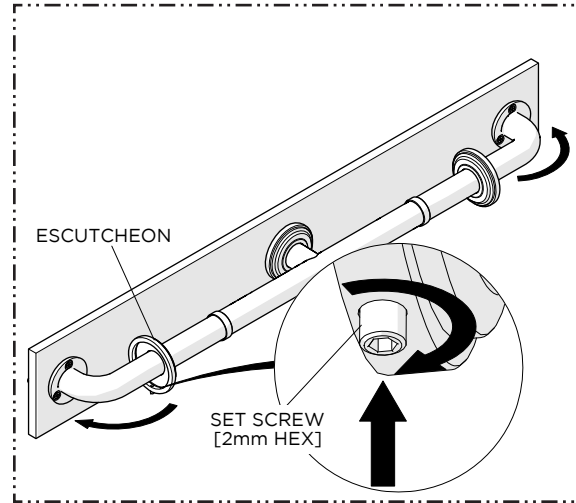
8. Using the previous marks as a reference, drill pilot holes into the blocking or stud material to accommodate the SCREWS provided.



9. Secure the GRAB BAR to the wall using the SCREWS provided.



10. Securely tighten the SET SCREW on the center POST then slide the ESCUTCHEON down to conceal the MOUNTING PLATE and securely tighten the SET SCREW on the ESCUTCHEON.



11. Slide the ESCUTCHEONS on the GRAB BAR ENDS down to conceal the MOUNTING PLATES then securely tighten the SET SCREWS.