

REGULATOR

RGKM21

Regulator Gooseneck Single Spout Kitchen Faucet with Metal Wheel Handle and Spray



SHOWN IN REGULATOR GOOSENECK SINGLE SPOUT KITCHEN FAUCET WITH METAL WHEEL HANDLE AND SPRAY | RGKM21

TECHNICAL DETAILS

Deck Thickness Maximum: 2 1/16"
Deck Thickness Minimum: 1/4"
Handle Spread Maximum: 12"
Handle Spread Minimum: 6"
Handle Turn Angle: Quarter Turn Each Way
Handshower / Spray Hose Length: 49"
Depth / Width: 12 3/8"
Height: 15 7/8"
Inlet Connection Size: 3/8"
Inlet Connection Type: Compression Connection Hoses
Integrated Diverter: Y
Length: 17 13/16"
Primary Material: Brass
Restricted Maximum Flow Rate: 2.2 gpm
Spout Swivel: Y
Spray Included in Unit: Y
Suggested Application: Bar, Kitchen, Laundry
Valve Material: Ceramic
Water Pressure Maximum: 85.0 psi
Water Pressure Minimum: 20.0 psi
Water Pressure Recommended: 45.0 psi

INSPIRATION

A play on industrial controls from the early 1900s, when pride was lavished on parts. Translated to handcrafted, fittings project rugged beauty through powerful, detailed shapes.

CODES & STANDARDS

Code # RGKM20: CEC

PRODUCT FEATURES

Casted brass temperature mixing valve. The user rotates the center control handle for preferred temperature.

Solid brass wheel handles finished in matte black to control on/off/volume.

Built-in automatic diverters for spray operation.

Standard flow rate is 2.2gpm (8.3 L/min) and State of California requires a maximum of 1.8gpm(6.8 L/min). Also available in high efficiency flow options. Contact a sales associate for details.

PRODUCT (NOTES)

Drilling size requirements are 2 1/4" for mixing/spray body and 1 3/4" for faucet body.

WATERWORKS

REGULATOR

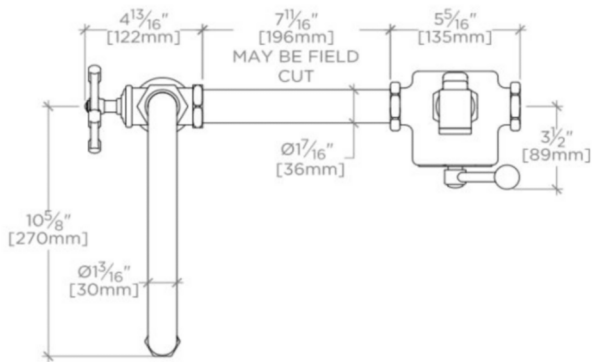
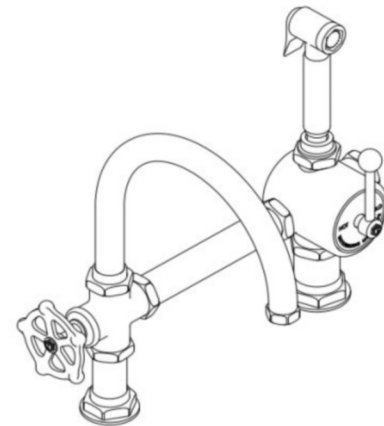
RGKM21

Regulator Gooseneck Single Spout Kitchen Faucet with Metal Wheel Handle and Spray



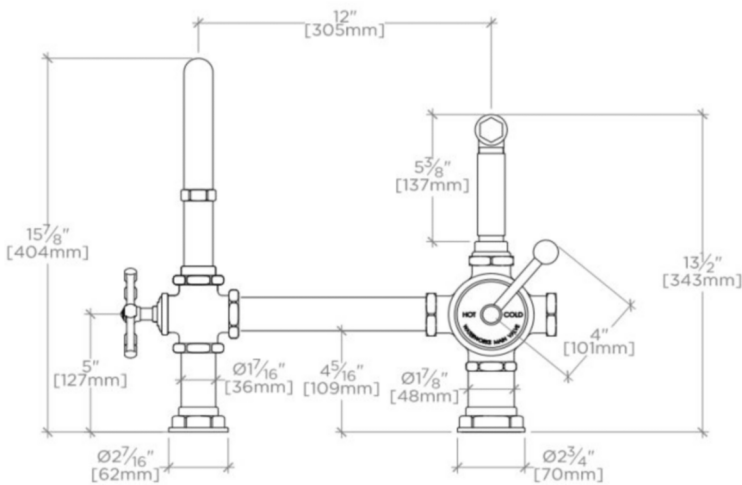
REQUIRED DRILLINGS

SCALE: 1/2"=1'-0"



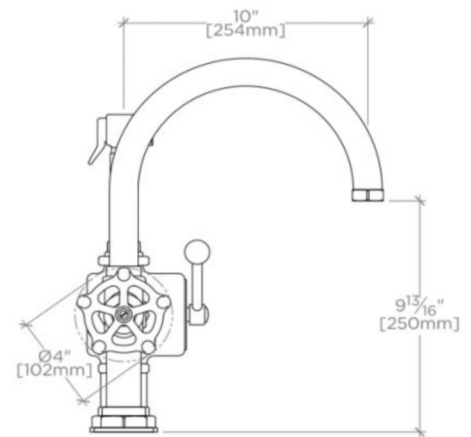
TOP VIEW

SCALE: 1/2"=1'-0"



FRONT VIEW

SCALE: 1/2"=1'-0"



SIDE VIEW

SCALE: 1/2"=1'-0"