

OPUS

OPLS02

Opus Low Profile Three Hole Deck Mounted Lavatory Faucet with Crystal Egg Handles



SHOWN IN OPUS LOW PROFILE THREE HOLE DECK MOUNTED LAVATORY FAUCET WITH CRYSTAL EGG HANDLES| OPLS02

TECHNICAL DETAILS

ADA Compliance: Yes
 Adjustable versus Fixed Spray: Fixed Spray
 Deck Thickness Maximum: 35 mm
 Deck Thickness Minimum: 3 mm
 Drain Assembly Materials: Brass
 Drain Depth Maximum: 44 mm
 Drain Hole Diameter: 41 mm
 Drain Style: Pop-up
 Escutcheon Primary Material: Brass
 Fittings Hole Diameter: 35 mm
 Handle Spread Maximum: 305 mm
 Handle Spread Minimum: 203 mm
 Handle Turn Angle: Quarter Turn
 Depth / Width: 178 mm
 Drain Depth Minimum: 35 mm
 Height: 89 mm
 Inlet Connection Size: 1/2"
 Inlet Connection Type: Male with Supply Nut
 Inlet Supply Spread Maximum: 305 mm
 Inlet Supply Spread Minimum: 203 mm
 Length: 305 mm
 Number of Holes: Three Hole
 Primary Material: Brass
 Restricted Maximum Flow Rate: 4.5 liters/min
 Spout Swivel: N
 Suggested Application: Bath
 Valve Material: ceramic
 Water Pressure Maximum: 6.0 bar
 Water Pressure Minimum: 1.5 bar
 Water Pressure Recommended: 3.0 bar

INSPIRATION

Opus incorporates a range of sophisticated aesthetic notes, with graceful curves that create a jewel-like refinement.

CODES & STANDARDS

Code # OPLS02-LL: Complies with ASME A112.18.1/CSA B125.1, ASME A112.18.2 / CSA B125.2, NSF 61, NSF 372, CEC, ADA and 0.25% Weighted Average Lead Content. Certified with IAPMO, cUPC, NSF, CEC, DOE and State of MA.

PRODUCT FEATURES

Brass material is used for trim and valve component parts.
 The manufacturing process encompasses casting, turning, stamping, hand-fitting and hand polishing.
 Two distinctly different materials, metal and crystal, have been combined to create an elegant fitting.
 Eased curves and reflective forms carry the message of cleanliness and clarity.
 Available in 1.2gpm (4.5L/min) flow rate

CERTIFICATIONS

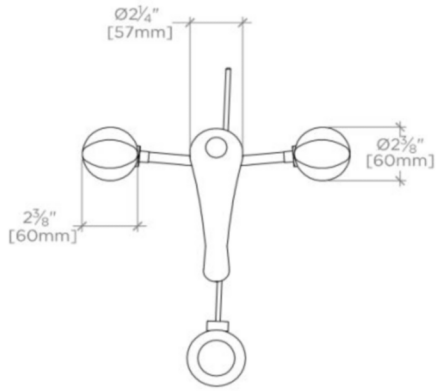


WATERWORKS

OPUS

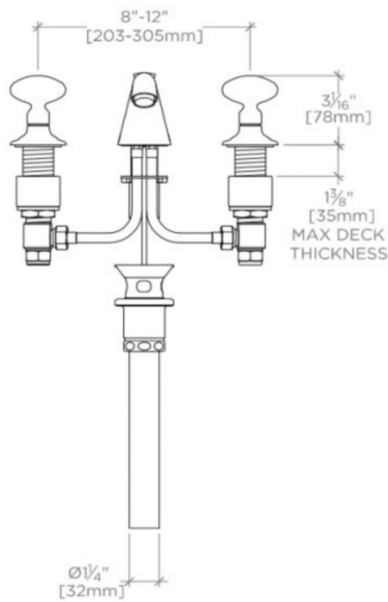
OPLS02

Opus Low Profile Three Hole Deck Mounted Lavatory Faucet with Crystal Egg Handles



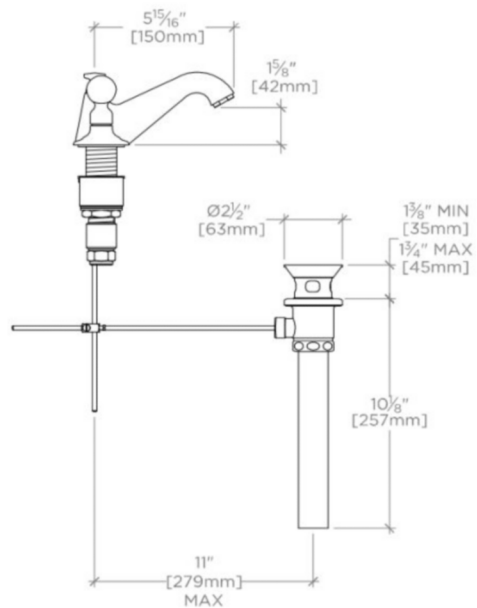
TOP VIEW

SCALE: 1 ½"=1'-0"



FRONT VIEW

SCALE: 1 ½"=1'-0"



SIDE VIEW

SCALE: 1 ½"=1'-0"