

LUDLOW

LDHS10

Ludlow Handshower On Bar with Metal Handle



SHOWN IN LUDLOW HANDSHOWER ON BAR WITH METAL HANDLE| LDHS10

TECHNICAL DETAILS

ADA Compliance: Yes
 Adjustable versus Fixed Spray: Fixed Spray
 Diameter of Head: 2 1/16"
 Escutcheon Primary Material: Brass
 Fittings Hole Diameter: 1"
 Flow Restriction Options: 2.0, 1.75, 1.5, 0.92
 Handshower / Spray Hose Length: 68"
 Depth / Width: 4 1/8"
 Height: 26 1/2"
 Inlet Connection Size: 1/2"
 Inlet Connection Type: Female NPT
 Installation Type: Wall Mounted
 Integrated Diverter: N
 Pivot: Y
 Primary Material: Brass
 Suggested Application: Bath
 Water Pressure Maximum: 85.0 psi
 Water Pressure Minimum: 20.0 psi
 Water Pressure Recommended: 45.0 psi

INSPIRATION

A touch of classic Americana. Our fresh take on iconic industrial design has clean lines and dimensional details.

CODES & STANDARDS

Code # LDHS10Y: Complies with ASME A112.18.1/CSA B125.1, ADA, CEC and 0.25% Weighted Average Lead Content. Certified with IAPMO, cUPC, CEC, DOE, State of MA, WRAS and WaterSense.

PRODUCT FEATURES

2.0 gpm Flowrate

This item is stocked in a Chrome, Nickel and Unlacquered Brass finishes.

Adjustable 24" bar provides ease in determining the desired height of the handshower

Handshower is easy and comfortable to grip.

Stocked in 2.0gpm (7.6 L/min) and 1.75gpm (6.6 L/min). State of California requires 1.75gpm (6.6 L/min) to comply with their water conservation requirements. Other flow options are available to order, contact your sales associate

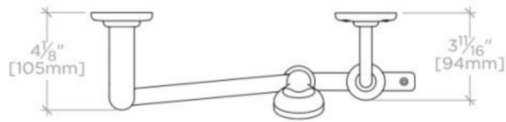
CERTIFICATIONS



LUDLOW

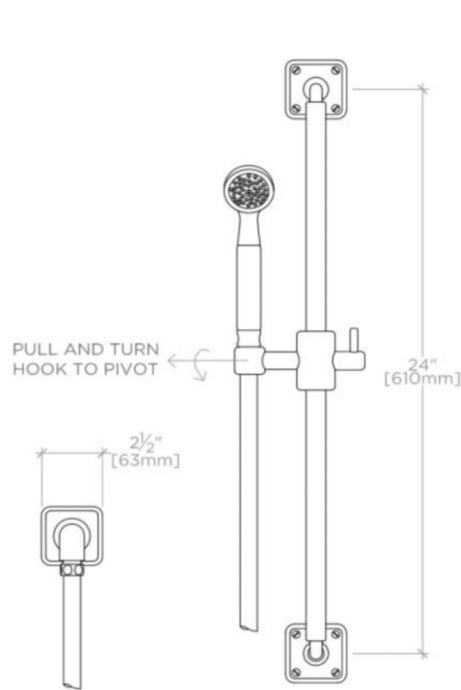
LDHS10

Ludlow Handshower On Bar with Metal Handle



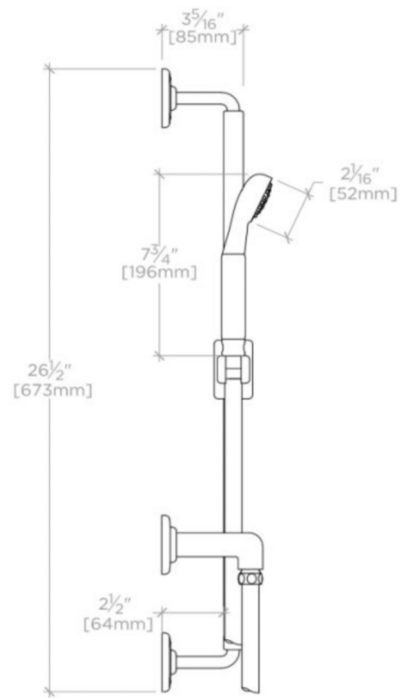
TOP VIEW

SCALE: 1 1/2"=1'-0"



FRONT VIEW

SCALE: 1 1/2"=1'-0"



SIDE VIEW

SCALE: 1 1/2"=1'-0"