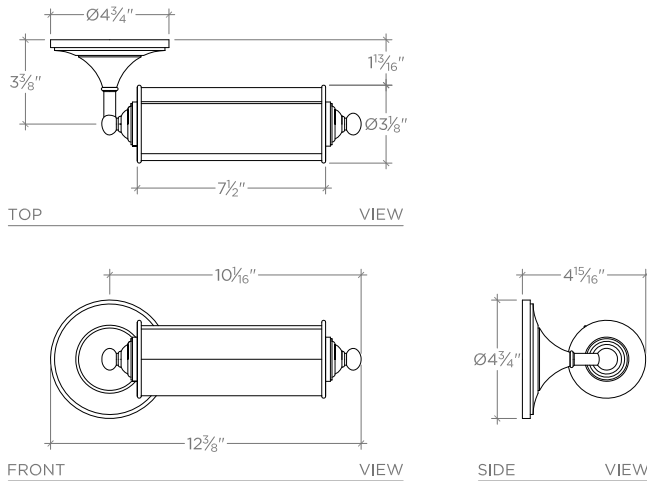


STYLE No. **582242**  
 ITEM No. **18-05007-44959** (Nickel)  
**18-46327-76242** (Antique Brass)



**IMPORTANT:**

- **WARNING:** The power supply must be turned off prior to installation. Turn off the main electrical supply to the junction box from the fuse box/circuit breaker. Turning power off at the switch is not sufficient.
- To ensure this product is installed properly, you must read and follow these guidelines.
- The owner/user of this product must keep this information for future reference.
- This product is U.L. certified and is suitable for damp or dry locations. The U.L. listing mark can be found on the inside of the cover plate.
- Be sure your installation conforms to all federal, state, and local codes.
- This product must be installed by a professional licensed electrical contractor.
- Refer to the specification and assembly drawings attached. Product is sold partially assembled but shown fully disassembled for illustrative and service purposes only.
- Max wattage for this product is 60 watts for T-10 incandescent light bulbs. Product is not compatible with fluorescent bulbs.
- Inspect this product to ensure you have all parts required for proper installation.
- Use only a strap wrench or protected/smooth-jaw wrench on any finished surface.

**INSTALLATION:**

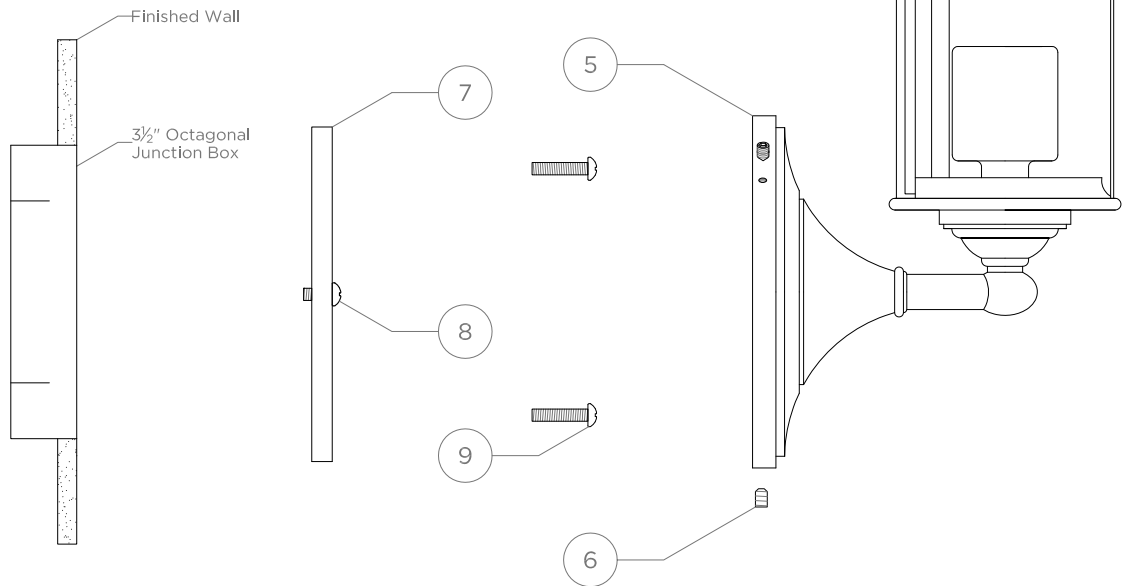
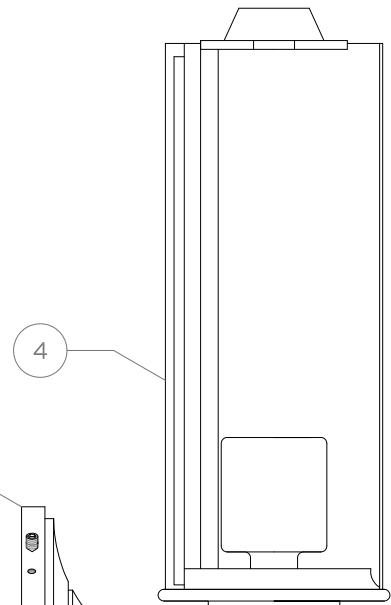
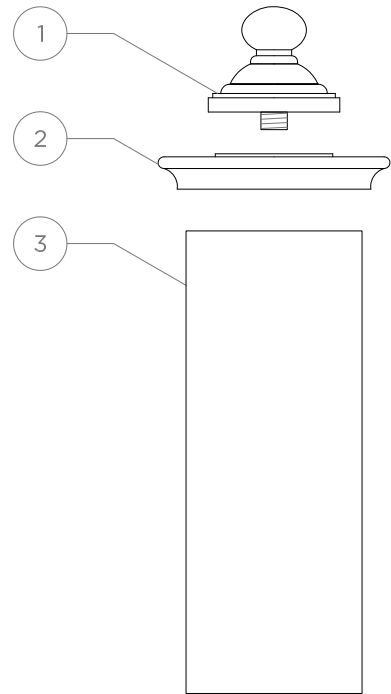
- **REQUIRED:** Install a 3 1/2" octagonal electrical junction box at the desired height.
1. Remove the mounting plate (7) by unthreading the set screws (6) on the cover plate (5) and ensure that the holes on the mounting plate align with the screw holes in the junction box.
  2. Pull the wires in the junction box through the center hole of the mounting plate (7). Attach the mounting plate to the box using 2 #8-32 screws (9) making sure to keep the proper alignment of the plate.
- **Note:** Sconce can be mounted vertically or horizontally in any direction. The mounting plate must match the orientation of the sconce.
3. Fasten the bare copper fixture wire to the green or bare copper wire in the box with a wire nut or fasten it to the mounting plate with the ground screw (8) provided.
  4. Fasten the white fixture wire to the white wire in the box with a wire nut. Tightly wrap the connection with electrical tape beginning 1" below the wire nut to ensure the tape seals the end of the nut. Make sure that there are no exposed wires that could cause a short circuit.
  5. Repeat step 4 with the black fixture wire and the black wire from the junction box.
  6. Place the cover plate (5) over the mounting plate(7) and tighten the set screws (6) on the cover plate.
  7. Unthread the retaining cap and remove the shade collar then install a 60 watt medium base T-10 light bulb (not supplied).
  8. Insert the cylinder glass shade (3) into the fixture body (4), place the metal shade collar (2) over the assembly making sure the metal rotating shade sits properly on the track inside the collar then fasten the assembly together with the retaining cap (1).
  9. Turn on the power to the junction box at the fuse box/circuit breaker.
- If further assistance is required, please contact Product Support at 1-800-927-2120 Ext. 3 (9am-6pm EST).

These guidelines have been prepared for the professional contractor to aid in the installation of: **NAVIGATOR SCONCE WITH ROTATING METAL SHADE (STYLE NO. 582242).**  
 All dimensions are based on origin specification and are subject to change and variation.  
 Please consult your Design Associate for current specifications.

**WATERWORKS**

ITEM NO.	DESCRIPTION	QTY.
1	Knurled Shade Retaining Cap	1
2	Metal Shade Collar	1
3	Cylinder Glass Shade	1
4	Fixture Body	1
5	Cover Plate	1
6	Set Screws, 2mm Hex	3
7	Mounting Plate	1
8	Ground Screw	1
9	Mounting Screws, #8-32	2
10	Wire Nuts (Not Shown)	3
11	Allen Wrench (Not Shown)	1

\* 60 Watt Medium Base T-10 Light Bulb Not Supplied



These guidelines have been prepared for the professional contractor to aid in the installation of: **NAVIGATOR SCONCE WITH ROTATING METAL SHADE (STYLE NO. 582242).**  
 All dimensions are based on origin specification and are subject to change and variation.  
 Please consult your Design Associate for current specifications.

**WATERWORKS**