

Bond

BXT27D

Bond Union Series Deck Mounted Exposed Tub Filler with Handshower and Enamel Guilloche Lines Lever Handles



SHOWN IN BOND UNION SERIES DECK MOUNTED EXPOSED TUB FILLER WITH HANDSHOWER AND ENAMEL GUILLOCHE LINES LEVER HANDLES | BXT27D

TECHNICAL DETAILS

ADA Compliance: No
 Deck Thickness Maximum: 51 mm
 Deck Thickness Minimum: 6 mm
 Diameter Of Legs Tubes: 32 mm
 Fittings Hole Diameter: 35 mm
 Handle Spread Maximum: 203 mm
 Handle Spread Minimum: 203 mm
 Handle Turn Angle: Quarter Turn
 Handshower Spray Hose Length: 1.5 m
 Inlet Connection Size: 3/4"
 Inlet Connection Type: Male NPT
 Inlet Supply Spread Maximum: 318 mm
 Inlet Supply Spread Minimum: 318 mm
 Integrated Diverter: Y
 Number Of Holes: Two Hole
 Primary Material: Brass
 Spout Swivel: N
 Spray Included In Unit: Y
 Valve Material: Ceramic
 Water Pressure Maximum: 6.0 bar
 Water Pressure Minimum: 1.5 bar
 Water Pressure Recommended: 3.0 bar

INSPIRATION

Modern designs infused with rare soul and artistry. Explore our wide range of Bond bath and kitchen elements, from fittings to fixtures to hardware.

CODES & STANDARDS

ASME A112.18.1/CSA B125.1, CEC, State of MA

PRODUCT FEATURES

Lever Handles

Diverter handle allows bather to move water from spout to handshower. Handshower features 2-1/8" head with rubber nozzles.

Features Guilloche Lines combined with Enamel Handle

Stocked in Nickel and Brass

Unrestricted flow for tub spout. Handshower available in 1.75gpm (6.6L/min) flow rate

CERTIFICATIONS



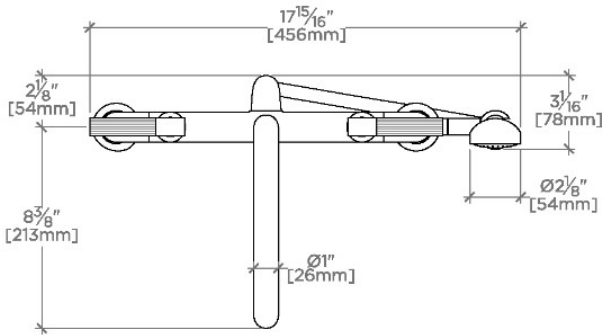
PRODUCT (NOTES)

WATERWORKS

Bond

BXT27D

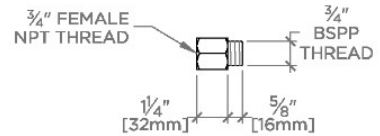
Bond Union Series Deck Mounted Exposed Tub Filler with Handshower and Enamel Guilloche Lines Lever Handles



TOP VIEW

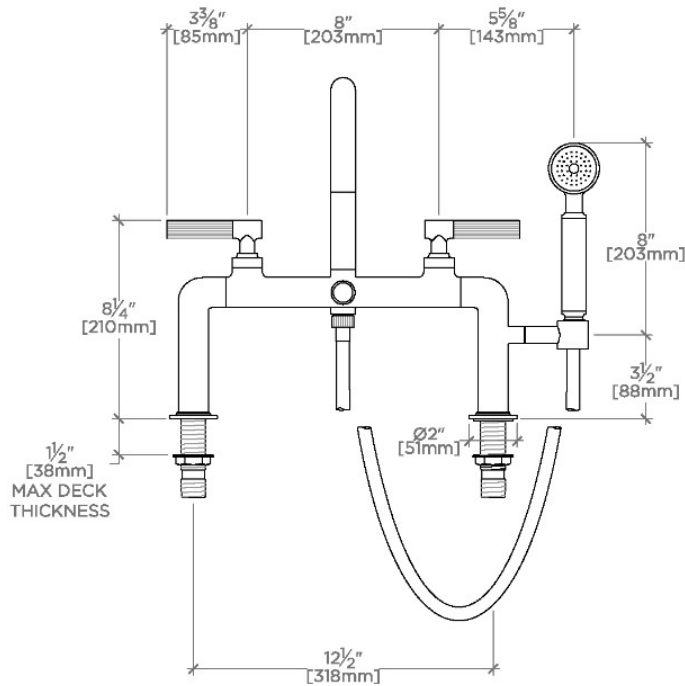
SCALE: 1/2"=1'-0"

† 2 ADAPTERS SUPPLIED
INTERNATIONAL USE ONLY



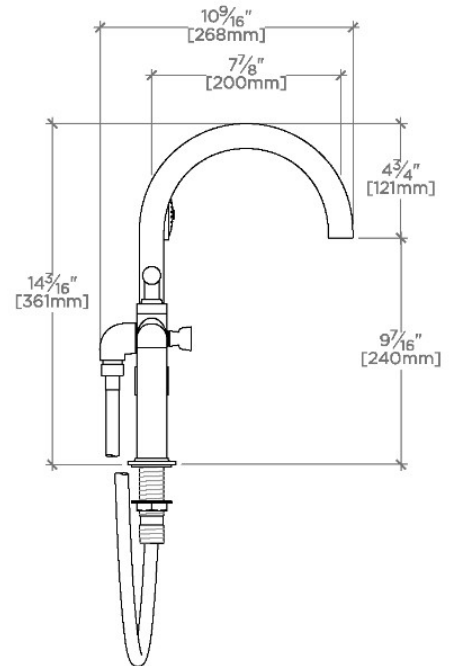
BSPP ADAPTER †

NOT TO SCALE



FRONT VIEW

SCALE: 1/2"=1'-0"



SIDE VIEW

SCALE: 1/2"=1'-0"