

BOND

Bond Wall Mounted Tub Spout

BTS001



TECHNICAL DETAILS

Fittings Hole Diameter: 35 mm
Inlet Connection Size: 1/2"
Inlet Connection Type: Male NPT
Number of Holes: One Hole
Primary Material: Brass
Water Pressure Maximum: 6.0 bar
Water Pressure Minimum: 1.5 bar
Water Pressure Recommended: 3.0 bar

INSPIRATION

The Bond Collection: Modern bath designs infused with rare soul and artistry. Explore a range of statement-making elements: fittings, washstands, mirrors and more.

PRODUCT FEATURES

Wall Mounted

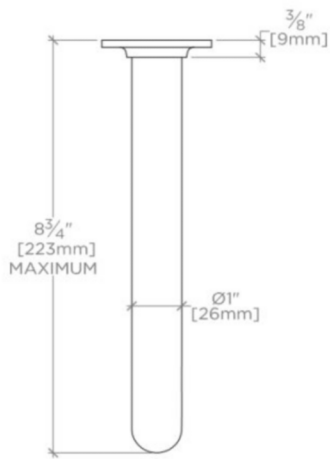
Stocked in Chrome, Nickel, Brass and Dark Nickel

Unrestricted flow

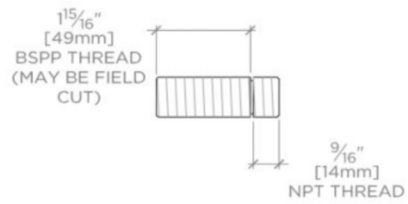
BOND

BTS001

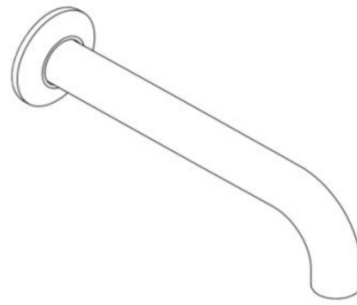
Bond Wall Mounted Tub Spout



TOP VIEW SCALE: 3"=1'-0"



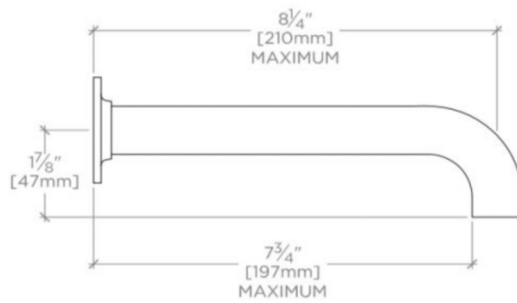
ADAPTER INCLUDED - INTERNATIONAL USE ONLY



ISO VIEW SCALE: 3"=1'-0"



FRONT VIEW SCALE: 3"=1'-0"



SIDE VIEW SCALE: 3"=1'-0"