

REGULATOR

RGSH10

Regulator Ceiling Mounted 10" Shower Rose, Arm and Flange



SHOWN IN REGULATOR CEILING MOUNTED 10" SHOWER ROSE, ARM AND FLANGE| RGSH10

TECHNICAL DETAILS

Adjustable versus Fixed Spray: Fixed
Escutcheon Primary Material: Brass
Fittings Hole Diameter: 38 mm
Flow Restriction Options: 2.5, 2.0, 1.75, 1.5
Depth / Width: 256 mm
Height: 278 mm
Inlet Connection Size: 3/4"
Inlet Connection Type: Male NPT
Length: 256 mm
Primary Material: Brass
Suggested Application: Bath
Water Pressure Maximum: 6.0 bar
Water Pressure Minimum: 1.5 bar
Water Pressure Recommended: 3.0 bar

INSPIRATION

A play on industrial controls from the early 1900s, when pride was lavished on parts. Translated to handcrafted, fittings project rugged beauty through powerful, detailed shapes.

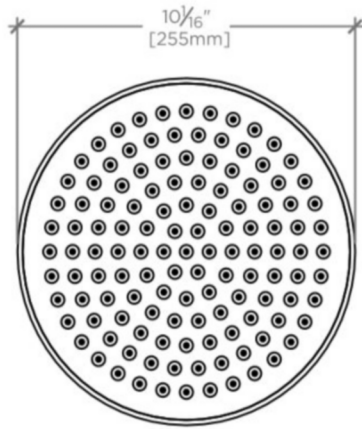
PRODUCT FEATURES

Includes 10" metal rain head with easy clean rubber nozzles
Stocked in Nickel, Chrome and Unlacquered Brass
Standard flow rate is 2.5gpm (9.5 L/min). Also available in high efficient flow options. Contact your sales associate or call 1 (800) 899-6757 for details.

REGULATOR

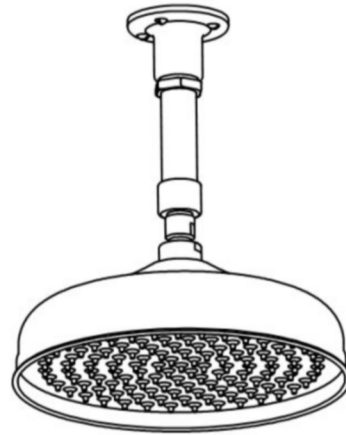
RGSH10

Regulator Ceiling Mounted 10" Shower Rose, Arm and Flange



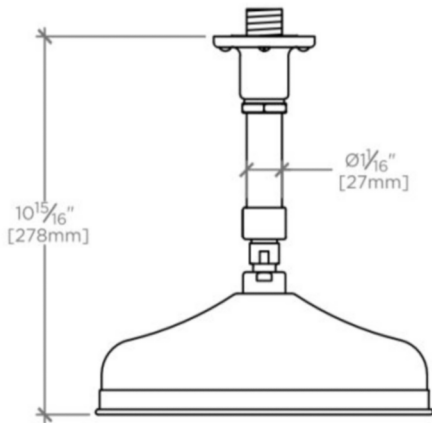
TOP VIEW

SCALE: 2"=1'-0"



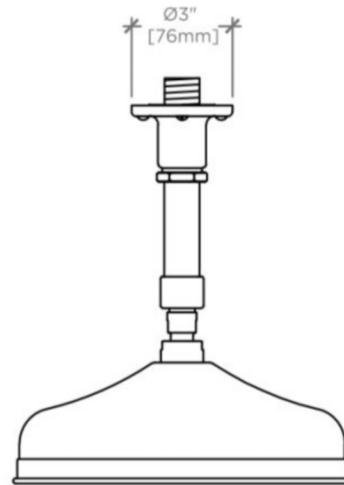
ISO VIEW

SCALE: 2"=1'-0"



FRONT VIEW

SCALE: 2"=1'-0"



SIDE VIEW

SCALE: 2"=1'-0"