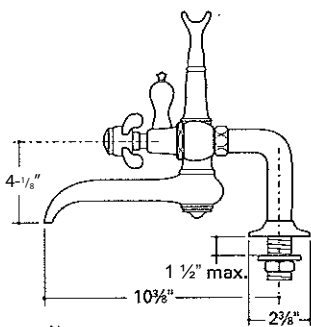
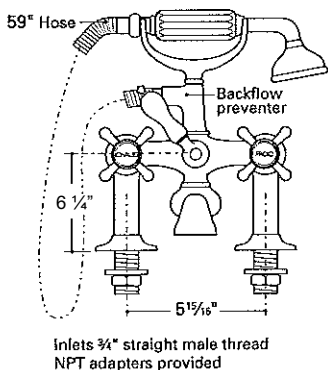


**ETTU60 (tub filler) + ETPTU10 (deck unions)**



Note:  
Drilling hole size: 1 1/4"

Consult your local building codes for anti-scald requirements

The tub filler with deck pillars is designed for mounting on the rim of the tub itself. If mounted beyond the rim, the spout will not project far enough into the tub and may splash. Proper mounting to project into the tub will also collect water drips from the handshower.

**INSTALLATION GUIDELINES**

- Use only a protected, smooth-jawed, or strap wrench on any finished surface.
- The mounting should be at 5 15/16" ø, non-adjustable.
- 1 1/4" drilling for mounting holes is recommended.
- Run 3/4" supply lines for maximum water flow.
- Accessible shut-off valves, which will facilitate servicing, are recommended for the hot and cold feed lines.
- Using a 3/4" x 3/4" copper x female adapter, attach supply lines to bottom of deck unions.
- Be sure the gaskets are in place at all joints. Also, be sure the connections are tightened.
- With the diverter lever to the left, turn on the water fully to flush out the lines through the spout before transferring the flow to the handshower.
- As always, check for leaks at all the joints.
- For servicing valve stem: Unscrew the index assembly to expose a screw for the handle. The cover should be hand tight.
- NOTE: After use, the diverter lever may be positioned vertically to quickly drain the residual water from the unit. After draining, reposition the lever to the left for the next use.
- If further assistance is required, please contact Product Support at 1-800-927-2120 (8am-7pm EST).

These guidelines have been prepared for the professional contractor to aid in the installation of:  
**ETOILE EXPOSED DECK MOUNT TUB FILLER WITH HANDSHOWER**  
**ETTU60 (tub filler) + ETPTU10 (deck unions)**

All dimensions are based on original specifications and are subject to change and variation. Please consult your Design Associate for current specifications.