

## Henry

HKM111

Henry One Hole Gooseneck Kitchen Faucet, Metal Lever Handle



SHOWN IN HENRY ONE HOLE GOOSENECK KITCHEN FAUCET, METAL LEVER HANDLE | HKM111

### TECHNICAL DETAILS

ADA Compliance: Yes  
Deck Thickness Maximum: 79 mm  
Fittings Hole Diameter: 35 mm  
Handle Turn Angle: Quarter Turn  
Inlet Connection Size: 3/8"  
Inlet Connection Type: Compression Connection  
Hoses  
Restricted Maximum Flow Rate: 6.6 liters/min  
Spout Swivel: Y  
Valve Material: Brass and Ceramic  
Water Pressure Maximum: 6.0 bar  
Water Pressure Minimum: 1.5 bar  
Water Pressure Recommended: 3.0 bar

### INSPIRATION

Celebrating the connection of industry and art, Henry transitions effortlessly between modern, traditional, and classic settings. These iconic fittings blend 19th-century industrial and artistic references for a look that's forever of the moment—familiar yet wholly original.

### CODES & STANDARDS

HKM111X, NSF/ANSI/CAN 61:Q < 1, NSF/ANSI/CAN 372, ASME A112.18.1/CSA B125.1

### PRODUCT FEATURES

Features Lever Handle

Stocked In Chrome, Nickel, Brass and Dark Nickel

Available in 1.75 gpm (6.6 L/min) flow rate

### CERTIFICATIONS



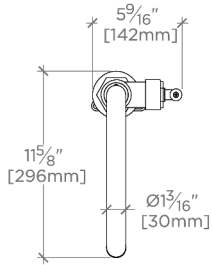
### PRODUCT (NOTES)

# WATERWORKS

## Henry

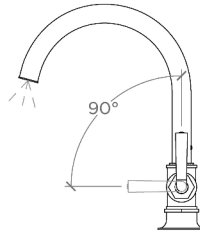
HKM111

Henry One Hole Gooseneck Kitchen Faucet, Metal Lever Handle

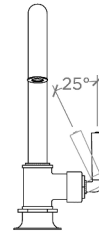


TOP VIEW

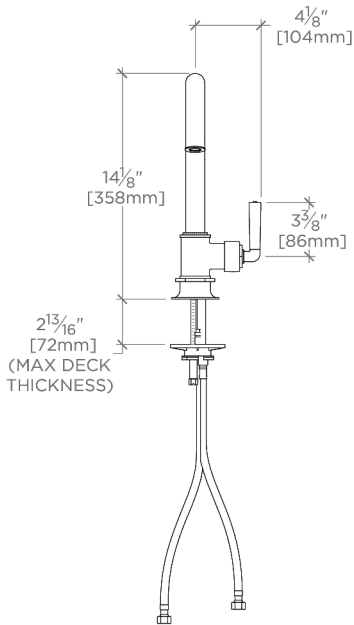
SCALE: 1"=1'-0"



HANDLE OPERATION

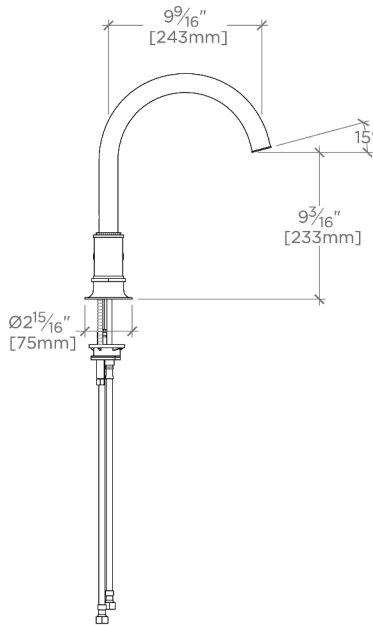


SCALE: 1"=1'-0"



FRONT VIEW

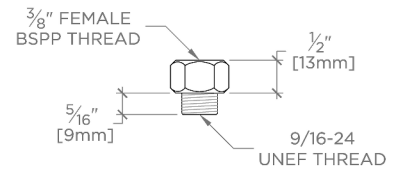
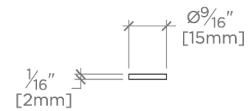
SCALE: 1"=1'-0"



SIDE VIEW

SCALE: 1"=1'-0"

NOTE:  
ADAPTER AND GASKET (x2) INCLUDED -  
INTERNATIONAL USE ONLY



ADAPTER

NOT TO SCALE