

UNIVERSAL

USHF15

Universal Flush Mount Cube 15" x 15" Showerhead



SHOWN IN UNIVERSAL FLUSH MOUNT CUBE 15" X 15" SHOWERHEAD | USHF15

TECHNICAL DETAILS

Adjustable Versus Fixed Spray: Fixed Spray
Fittings Hole Diameter: 4"
Inlet Connection Size: 1/2"
Inlet Connection Type: Female Hose
Pivot: N
Primary Material: Brass
Restricted Maximum Flow Rate: 1.75 gpm
Water Pressure Maximum: 85.0 psi
Water Pressure Minimum: 20.0 psi
Water Pressure Recommended: 45.0 psi

INSPIRATION

Our Universal collection features timeless designs complementing any of our Waterworks. With a wide range of product, from fittings to accessories, Universal adds exquisite proportion and balance to any environment.

CODES & STANDARDS

PRODUCT FEATURES

15" X 15" Shower Cube

Features a Fixed Spray Pattern

Stocked In Chrome, Nickel, Brass and Dark Nickel

CERTIFICATIONS

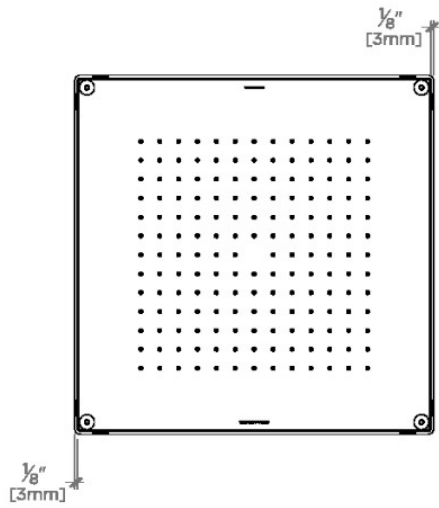
PRODUCT (NOTES)

WATERWORKS

UNIVERSAL

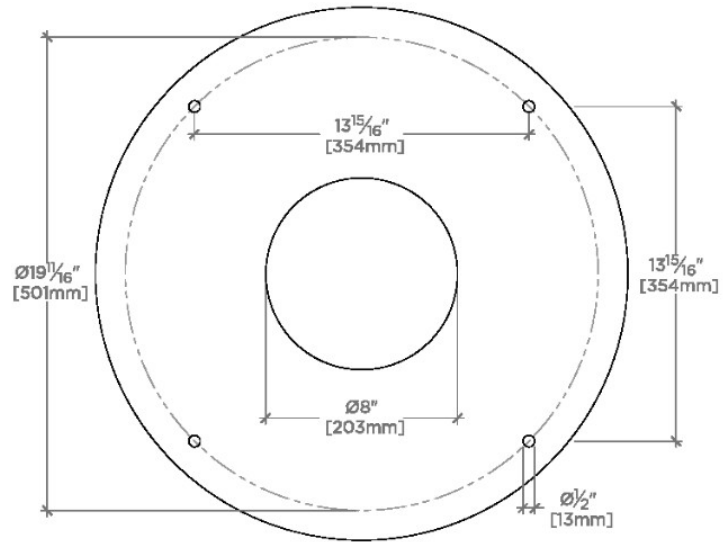
USHF15

Universal Flush Mount Cube 15" x 15" Showerhead



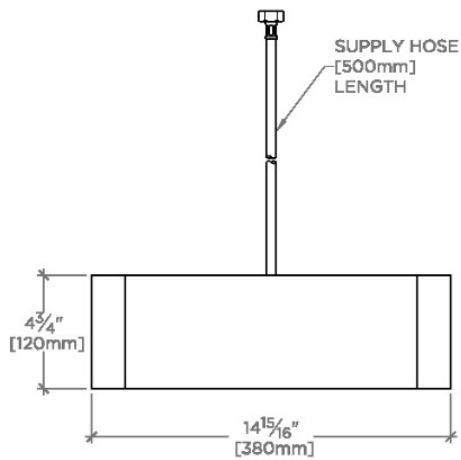
CEILING VIEW

SCALE: $\frac{1}{2}"=1'-0"$



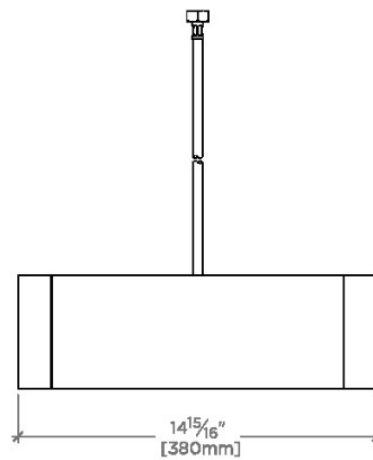
CUTOUT VIEW

SCALE: $\frac{1}{2}"=1'-0"$



FRONT VIEW

SCALE: $\frac{1}{2}"=1'-0"$



SIDE VIEW

SCALE: $\frac{1}{2}"=1'-0"$