

Universal

UNWO10

Universal Drain Plug Waste and Overflow Drain



SHOWN IN UNIVERSAL DRAIN PLUG WASTE AND OVERFLOW DRAIN | UNWO10

TECHNICAL DETAILS

ADA Compliance: Yes
Drain Assembly Materials: Brass, Rubber
Drain Depth Maximum: 38 mm
Drain Depth Minimum: 10 mm
Drain Hole Diameter: 51 mm
Drain Style: Drain Plug
Escutcheon Primary Material: Brass
Height: 789 mm
Outlet Connection Size: 1 1/2"
Outlet Connection Type: Tailpiece with Slip Fit Gasket
Overflow Depth Maximum: 24 mm
Overflow Depth Minimum: 6 mm
Overflow Hole Diameter: 48 mm
Primary Material: Brass
Suggested Application: Bath

INSPIRATION

Our Universal collection features timeless designs complementing any of our Waterworks. With a wide range of product, from fittings to accessories, Universal adds exquisite proportion and balance to any environment.

CODES & STANDARDS

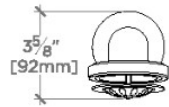
Code # UNWO10: Complies with ASME A112.18.2/CSA B125.2 and ADA. Certified with State of MA.

PRODUCT FEATURES

CERTIFICATIONS

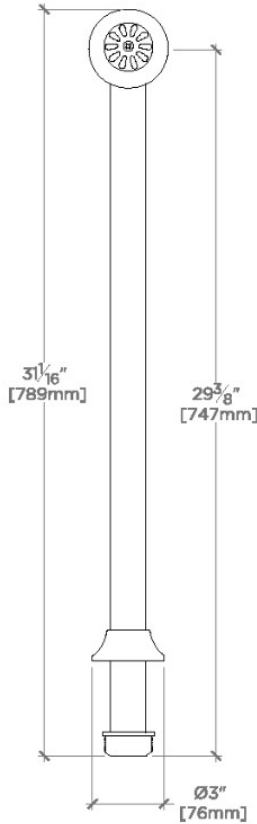
PRODUCT (NOTES)

Universal Drain Plug Waste and Overflow Drain



$3\frac{5}{8}''$
[92mm]

TOP VIEW SCALE: $1\frac{1}{2}''=1'-0''$

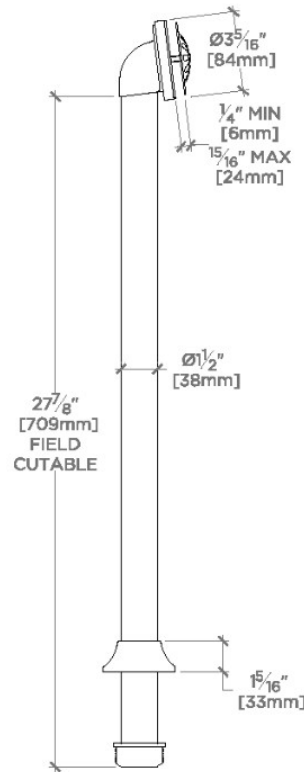


$31\frac{1}{16}''$
[789mm]

$29\frac{3}{8}''$
[747mm]

$\varnothing 3''$
[76mm]

FRONT VIEW SCALE: $1\frac{1}{2}''=1'-0''$



$\varnothing 3\frac{5}{16}''$
[84mm]

$\frac{1}{4}''$ MIN
[6mm]

$\frac{15}{16}''$ MAX
[24mm]

$\varnothing 1\frac{1}{2}''$
[38mm]

$27\frac{7}{8}''$
[709mm]
FIELD
CUTTABLE

$\frac{15}{16}''$
[33mm]

SIDE VIEW SCALE: $1\frac{1}{2}''=1'-0''$