

Andro

ANLV01

Andro Rectangular Single Wall Mounted Marble Lavatory Sink



SHOWN IN ANDRO RECTANGULAR SINGLE WALL MOUNTED MARBLE LAVATORY SINK | ANLV01

TECHNICAL DETAILS

ADA Compliance: No
Bowl Shape: Rectangular
Depth/Width: 508 mm
Drain Hole Depth: 51 mm
Drain Hole Diameter: 44 mm
Fitting Hole Configuration Number: One Hole
Fittings Hole Depth: 16 mm
Fittings Hole Diameter: 35 mm
Height: 368 mm
Installation Type: Wall Mounted
Item Weight Filled: 90.7184 kg
Length: 660 mm
Outer Rim Shape: Rectangular
Overflow Opening: No
Primary Material: Stone

INSPIRATION

Modern and versatile in feel, this floating stone sink is handmade from impeccable Arabescato or Soapstone. Concealed plumbing allows the eye to focus on the crisp, clean, minimalist form itself.

CODES & STANDARDS

PRODUCT FEATURES

Made from Arabescato or Soapstone

Designed for Wall Mounted Faucets

Fabricated from a single slab

Please ensure suitable construction and installation takes into account the particular weight of this product. Item Weight: Arabescato 138 lbs., Soapstone 157 lbs.

Designed to be used with 103693 Euro-Style Push-Touch Drain with "Waterworks" Engraved Logo

CERTIFICATIONS

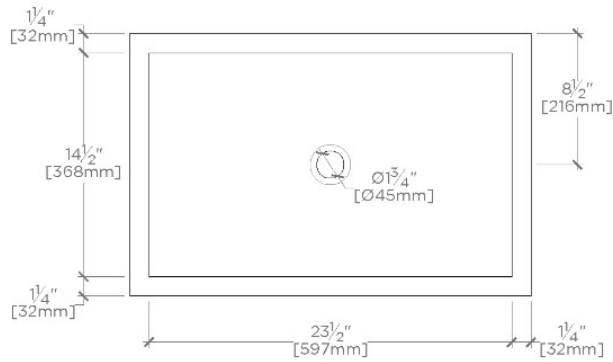
Please ensure suitable construction and installation takes into account the particular weight of this product. Item Weight: 150 lbs.

Andro

ANLV01

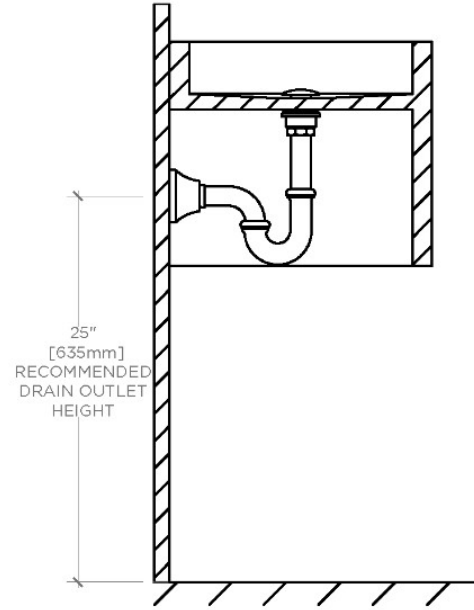
Andro Rectangular Single Wall Mounted Marble Lavatory Sink

† SHOWN WITH 103693 EURO-STYLE PUSH-TOUCH DRAIN AND UNPT44 UNIVERSAL STANDARD P-TRAP 1 1/4" x 1 1/4" [SOLD SEPARATELY]



TOP VIEW

SCALE: 1"=1'-0"



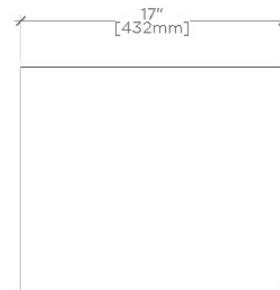
INSTALLATION SECTION VIEW †

SCALE: 1"=1'-0"



FRONT VIEW

SCALE: 1"=1'-0"



SIDE VIEW

SCALE: 1"=1'-0"