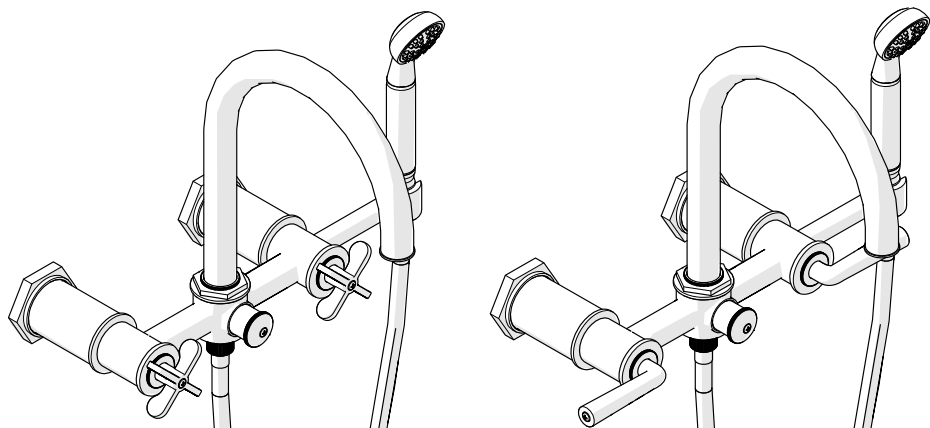


INSTALLATION GUIDELINES

WALL MOUNTED EXPOSED TUB FILLER

HENRY AND HENRY CHRONOS WALL MOUNTED EXPOSED TUB FILLER WITH HANDSHOWER



STYLES

HXT101 [SHOWN]	HXT102	HXT111 [SHOWN]	HXT112
CXT101	CXT111	CXT114	CXT115

IMPORTANT:

- To ensure this product is installed properly, you must read and follow these guidelines.
- The owner/user of this product must keep this information for future reference.
- This product must be installed by a professional licensed contractor and must be on-site prior to rough-in. This allows the installer to visualize the installation and verify the 8" [203mm] on-center inlet supply spread. The inlet supply spread on this product is **NOT** adjustable.
- Check TUB measurements to ensure the SPOUT project far enough into the TUB.
- Run 3/4" supply lines for **MAXIMUM** flow and install ACCESSIBLE hot and cold service stop valves to facilitate servicing.
- Be sure your installation conforms to all federal, state, and local codes.
 - Anti-scaled protection is the responsibility of the installer and according to applicable codes.
 - A water temperature limiting device is the responsibility of the installer and must be in accordance with ASSE 1070.
 - In the State of Massachusetts, all installations must comply with the rules and regulations set forth within 248 CMR.

- Inspect this product to ensure you have all the parts required for proper installation.
- This product is sold partially assembled but shown fully disassembled for illustrative and service purposes only.
- The use of certain plumber's putty may stain stone or tile surfaces.
- If further assistance is required, please contact Product Support at 1-800-927-2120 Monday through Friday, 8am - 6pm EST.
- Refer to the separate Service Parts Documents for available replacement parts

TECHNICAL DETAILS:

DETAIL	SPECIFICATION
DIAMETER OF HANDSHOWER HEAD	2-1/16" [56mm]
FITTINGS HOLE DIAMETER	1-3/8" [35mm]
HANDLE TURN ANGLE	QUARTER TURN
HOSE LENGTH	60" [1.5m]
INLET CONNECTION	3/4" FEMALE NPT †
	3/4" COPPER SWEAT
INLET SUPPLY SPREAD	8" [203mm] [NOT ADJUSTABLE]
INTEGRATED DIVERTER	YES [PUSH STYLE]
PIVOT	YES [HANDSHOWER HOOK ONLY]
SPOUT REACH	8-3/8" [212mm]
WATER PRESSURE	85psi [6.0 bar] MAX 20psi [1.5 bar] MIN
WATER PRESSURE RECOMMENDED	45psi [3.0 bar]

† For INTERNATIONAL USE ONLY,

- 3/4" Male NPT x 1/2" Female BSPP ADAPTERS and RUBBER WASHERS are provided.

INSTALLATION GUIDELINES

WALL MOUNTED EXPOSED TUB FILLER

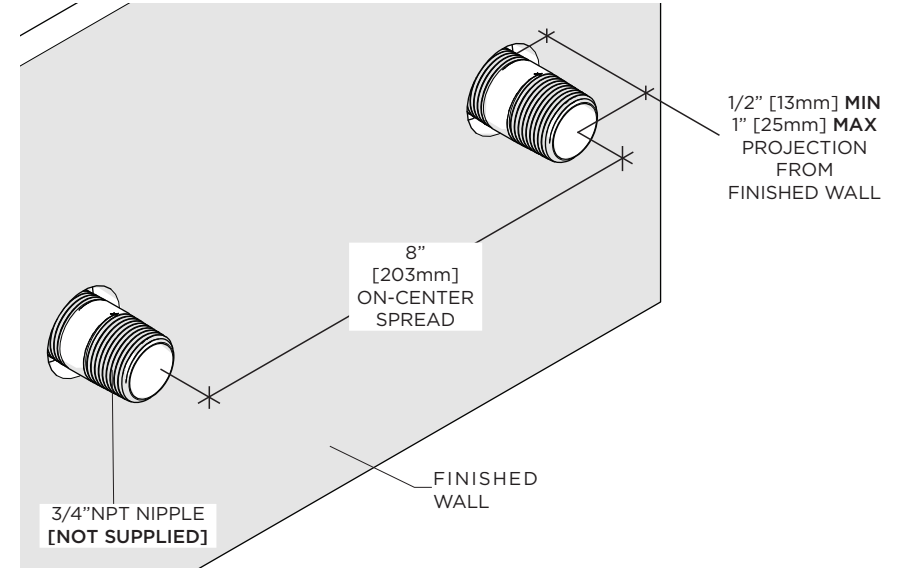
ROUGH-IN AND VALVE PREPARATION:

- **CAUTION:**The inlet supply spread of this product is **NOT ADJUSTABLE!** If the rough-in is **NOT** accurate it will make the installation difficult or impossible.
- **INLET CONNECTION OPTION 1:** Run well supported 3/4" hot and cold supply lines for MAXIMUM water flow and install 3/4" NPT nipples † (not supplied). The nipples must project between 1/2" [13mm] and 1" [25mm] from the surface of the finished wall.
- **INLET CONNECTION OPTION 2:** Run well supported 3/4" hot and cold copper supply lines for MAXIMUM water flow. The supply lines MUST project a MINIMUM of 2-1/4" [57mm] from the surface of the finished wall.
- **Ensure the supply lines [opt 1 or 2] are:**
 - Securely anchored/strapped,
 - Level,
 - Perpendicular to finished wall,
 - Parallel to each other,
 - At the proper spread of 8" [203mm] and
 - At the appropriate and equal depths.

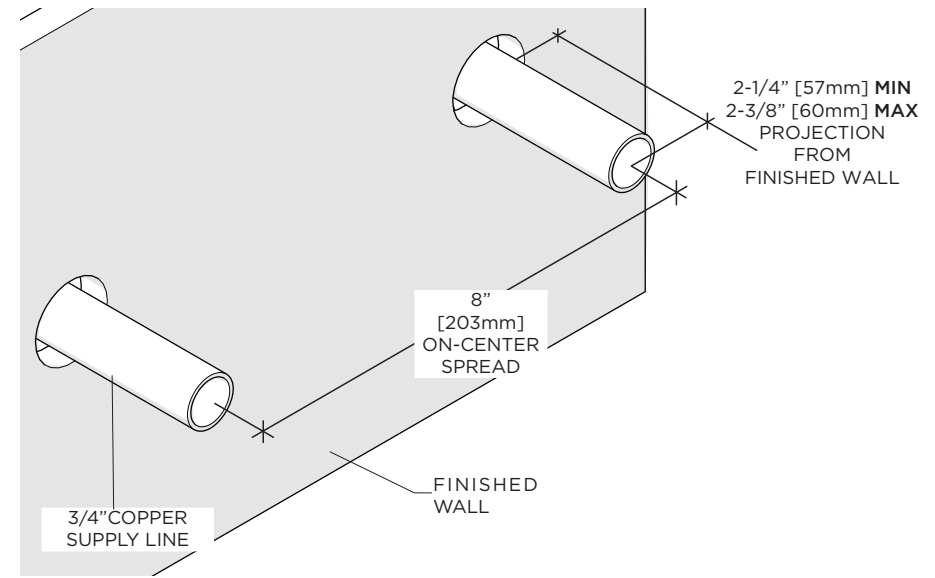
† For INTERNATIONAL USE ONLY,

- 3/4" Male NPT x 1/2" Female BSPP ADAPTERS and RUBBER WASHERS are provided.

INLET OPTION 1: 3/4" NPT†



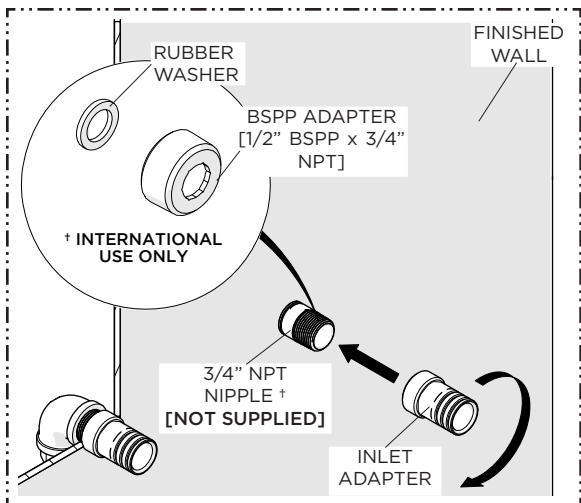
INLET OPTION 2: 3/4" COPPER SWEAT



1. Verify the inlet supply on-center spread and the projection of either the 3/4" NPT NIPPLES† or 3/4" COPPER SUPPLIES.
2. PROCEED TO THE TUB FILLER INSTALLATION SECTION.

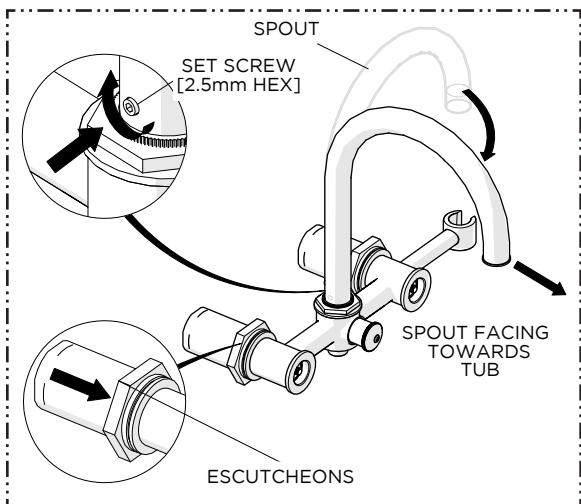
INSTALLATION GUIDELINES

WALL MOUNTED EXPOSED TUB FILLER

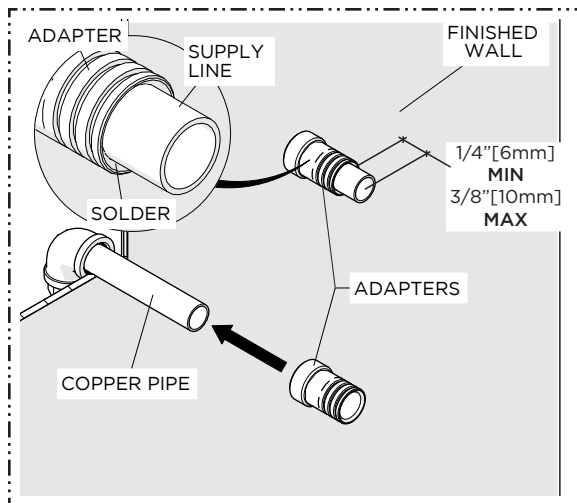


INLET OPTION 1: 3/4" NPT[†]

1. Thread and securely tighten the INLET ADAPTERS onto the 3/4" NPT NIPPLES[†].
NOTE: For INTERNATIONAL USE ONLY, 3/4" Male NPT x 1/2" Female BSPP ADAPTERS and RUBBER WASHERS are provided.

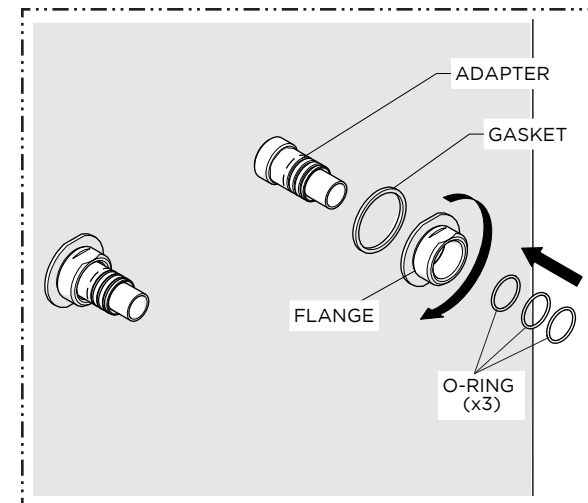
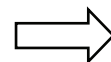


4. Align the SPOUT properly and securely tighten the SET SCREW at the base of the SPOUT then Slide the ESCUTCHEON up the UNIONS.

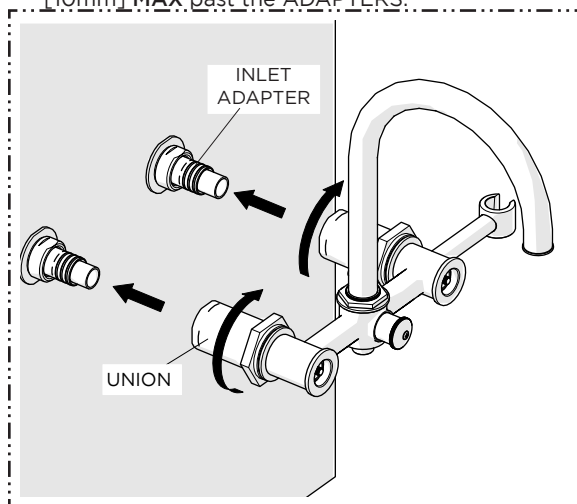
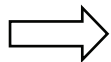


INLET OPTION 2: 3/4" COPPER SWEAT

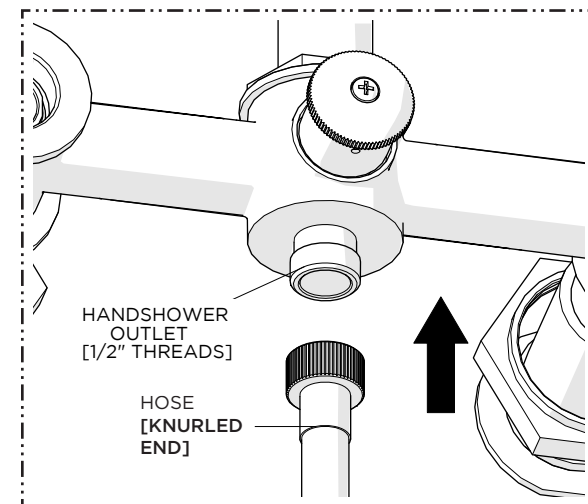
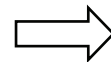
2. Slide the INLET ADAPTERS onto the COPPER SUPPLIES until they contact or sit flush with the finished wall then solder the SUPPLIES to the ADAPTERS. When installed correctly, the COPPER SUPPLIES should protrude 1/4" [6mm] MIN, 3/8" [10mm] MAX past the ADAPTERS.



3. Thread the FLANGES onto the ADAPTERS along with the GASKETS until securely tightened against the finished wall then install the O-RINGS onto the ADAPTERS and apply grease (supplied).



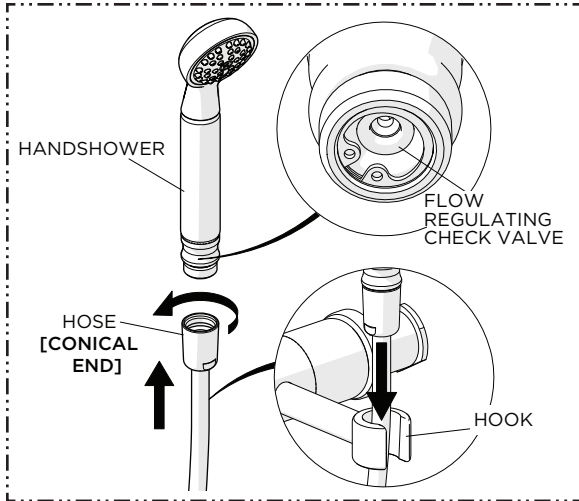
5. Slide the UNIONS over the INLET ADAPTERS then EVENLY thread the UNIONS onto the FLANGES until they contact the finished wall.



6. Thread the knurled end of the HOSE to the OUTLET on the VALVE BODY.

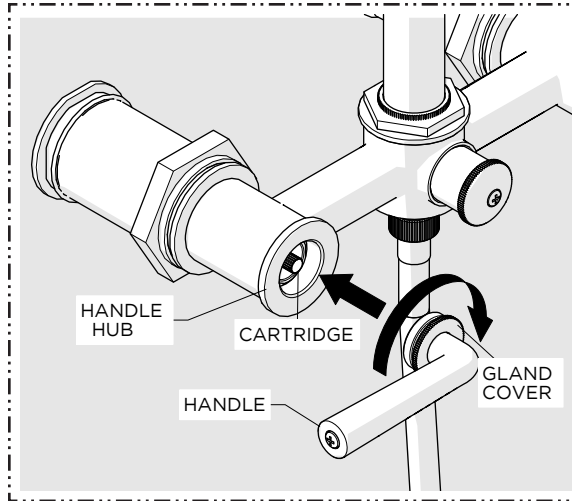
INSTALLATION GUIDELINES

WALL MOUNTED EXPOSED TUB FILLER



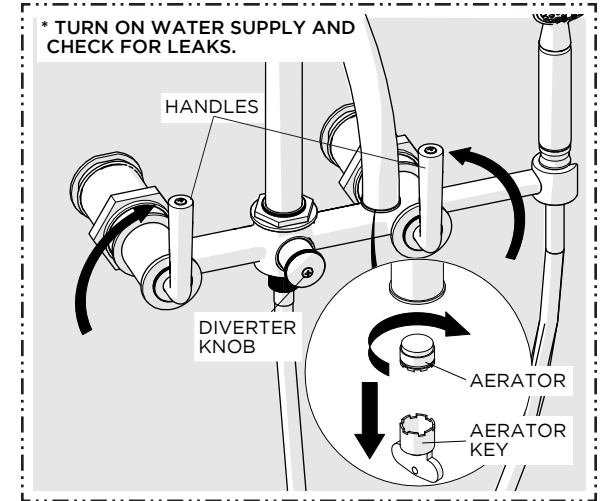
7. Thread the conical end of the HOSE to the HANDSHOWER then rest the HANDSHOWER on the HOOK.

NOTE: A FLOW REGULATING CHECK VALVE is located inside the inlet of the HANDSHOWER.



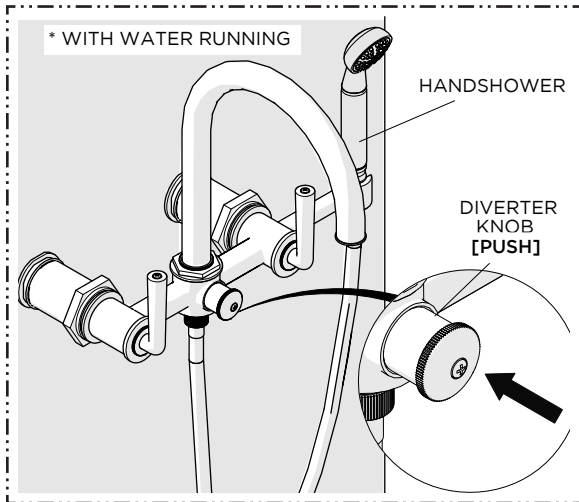
8. With the HANDLE held in the desired orientation, thread the GLAND COVER into the HANDLE HUB until snug.

NOTE: LEVER HANDLES should be installed horizontally in the OFF position.

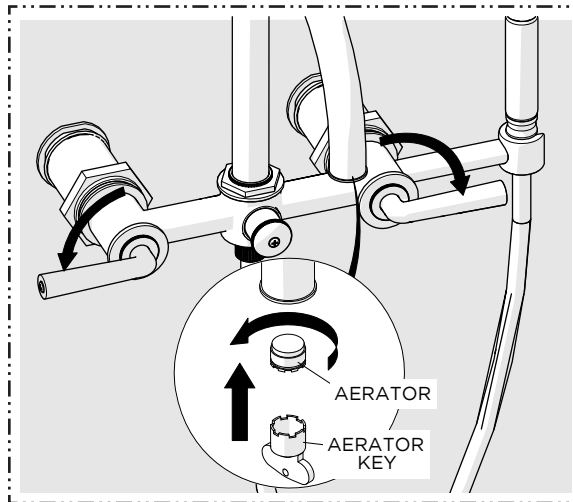


9. Remove the AERATOR using the TOOL provided then turn on the water supply and operate the HANDLES to flush out the supply lines and check all connections for leaks.

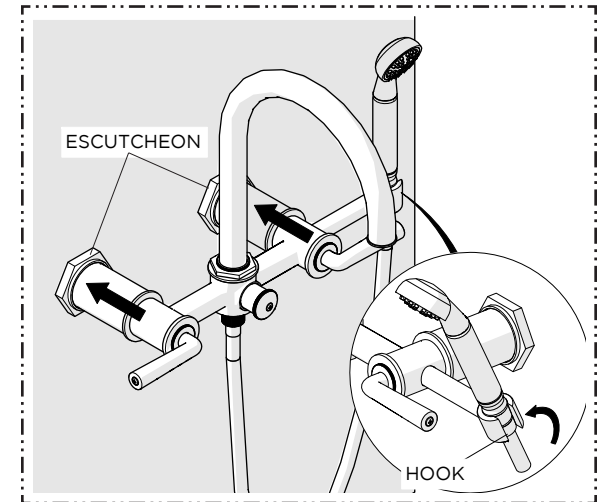
NOTE: Ensure the supply lines have been flushed before operating the DIVERTER KNOB.



10. With water running, operate the DIVERTER KNOB to ensure it and the HANDSHOWER function properly.



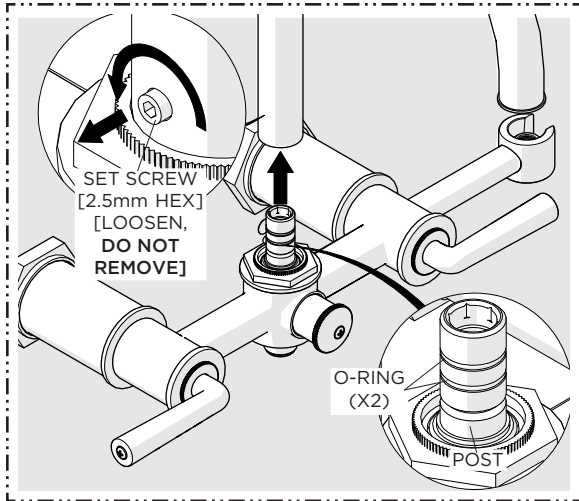
11. Turn off the water then re-install the AERATOR.



12. Rotate the HOOK to the desired position then slide the ESCUTCHEONS down the UNIONS until they contact the finished wall.

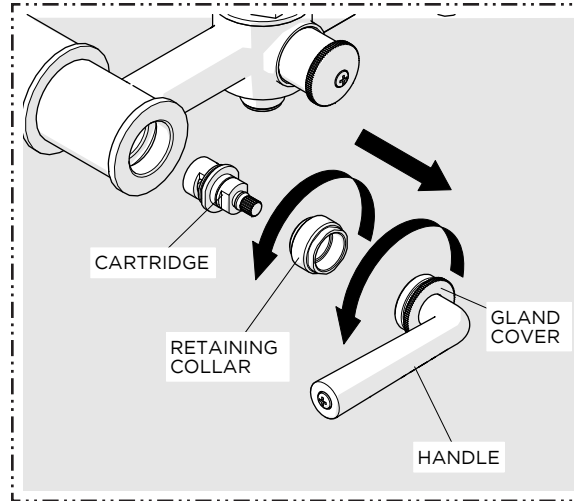
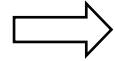
SERVICE GUIDELINES

WALL MOUNTED EXPOSED TUB FILLER



SERVICING THE SPOUT:

1. Loosen, but **DO NOT** remove, the SET SCREW at the back of the SPOUT then remove the SPOUT to expose the POST and external O-RINGS.



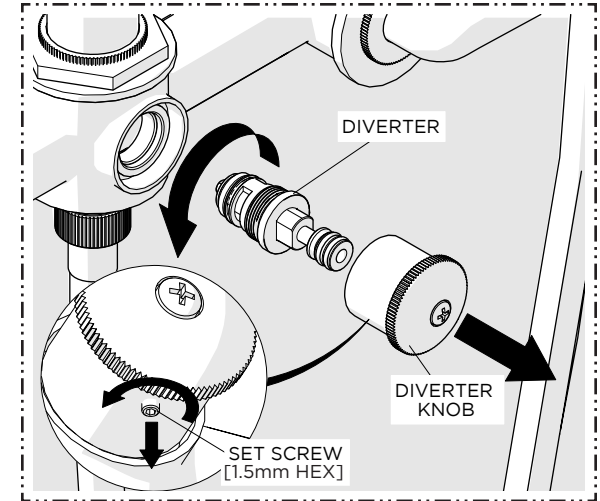
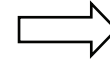
SERVICING THE CARTRIDGE:

1. Unthread the GLAND COVER to remove the HANDLE, unthread and remove the RETAINING COLLAR, then remove the CARTRIDGE.

NOTE: Replacement CARTRIDGES can be ordered separately.

STYLE No. 100605 (Hot)

STYLE No. 100604 (Cold)



SERVICING THE DIVERTER:

1. Loosen the SET SCREW then remove the KNOB to expose the DIVERTER. Unthread and remove the DIVERTER using a wrench.