

## Henry Chronos

CLS415

Henry Chronos One Hole Lavatory Faucet with Leather Lever Handle



SHOWN IN HENRY CHRONOS ONE HOLE LAVATORY FAUCET WITH LEATHER LEVER HANDLE | CLS415

### TECHNICAL DETAILS

ADA Compliance: Yes  
 Deck Thickness Maximum: 67 mm  
 Deck Thickness Minimum: 6 mm  
 Drain Depth Maximum: 51 mm  
 Drain Depth Minimum: 10 mm  
 Drain Hole Diameter: 38 mm  
 Drain Style: Push Touch  
 Fittings Hole Diameter: 35 mm  
 Handle Turn Angle: Quarter Turn  
 Inlet Connection Size: 3/8"  
 Inlet Connection Type: Compression Connection  
 Hoses  
 Number Of Holes: One Hole  
 Primary Material: Brass  
 Restricted Maximum Flow Rate: 4.5 liters/min  
 Spout Swivel: N  
 Valve Material: Brass and Ceramic  
 Water Pressure Maximum: 6.0 bar  
 Water Pressure Minimum: 1.5 bar  
 Water Pressure Recommended: 3.0 bar

### INSPIRATION

Inspired by dive watches, Henry Chronos radiates design prowess and technical precision. Chronos retains the design integrity of our original, iconic Henry collection, while imbuing it with modern details and exquisite materials.

### CODES & STANDARDS

CLS415X, NSF/ANSI/CAN 61:Q < 1, NSF/ANSI/CAN 372, ASME A112.18.1/CSA B125.1, CEC, DOE, State of MA

### PRODUCT FEATURES

Features Leather Lever Handles

Includes a Universal Push Touch Drain Sized to Fit US and Euro Sink Drain Openings

Stocked in Brass, Chrome and Nickel

Available in 1.2gpm (4.5L/min) Flow Rate

### CERTIFICATIONS

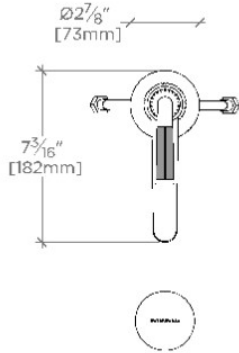


### PRODUCT (NOTES)

## Henry Chronos

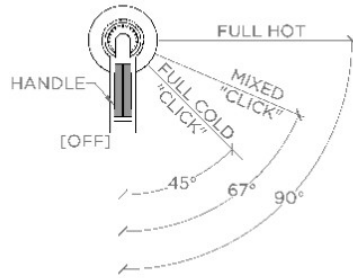
CLS415

Henry Chronos One Hole Lavatory Faucet with Leather Lever Handle



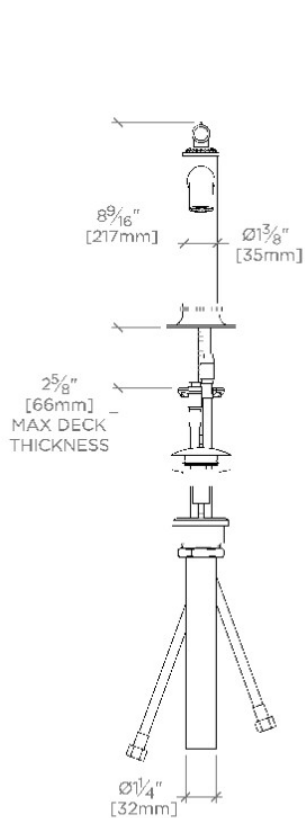
TOP VIEW

SCALE: 1½"=1'-0"



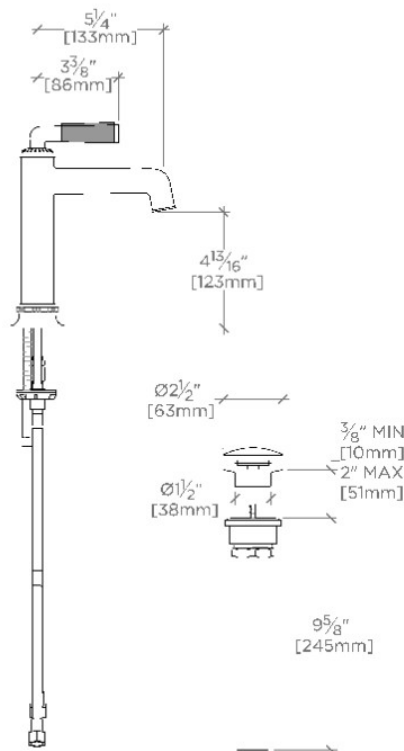
HANDLE OPERATION

SCALE: 1½"=1'-0"



FRONT VIEW

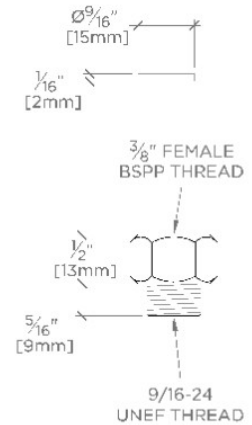
SCALE: 1½"=1'-0"



SIDE VIEW

SCALE: 1½"=1'-0"

NOTE:  
ADAPTER AND GASKET (x2)  
INCLUDED - INTERNATIONAL  
USE ONLY



NOT TO SCALE