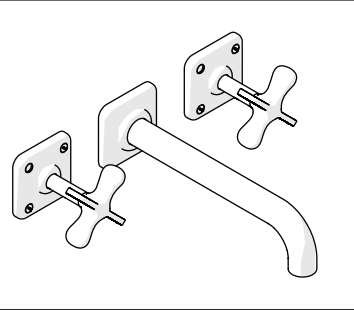
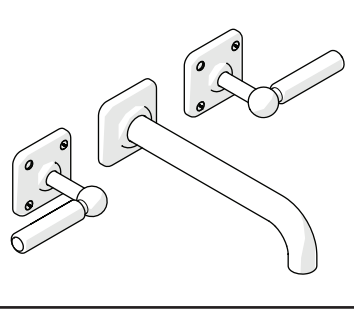
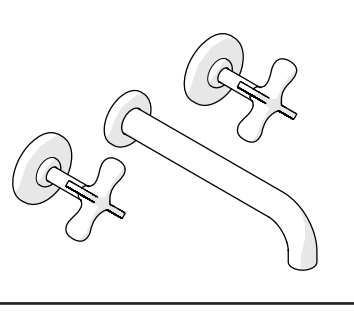
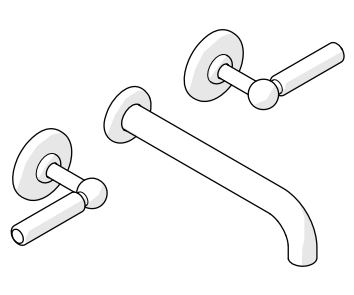


WATERWORKS

INSTALLATION GUIDELINES

STYLE No. LDLS80, LDLS90
Ludlow Wall Mounted Lavatory Faucet

STYLE No. LDLS65, LDLS75
Ludlow Volta Wall Mounted Lavatory Faucet

	STYLE	DESCRIPTION
	LDLS80	Ludlow Wall Mounted Lavatory Faucet with Cross Handles
	LDLS90	Ludlow Wall Mounted Lavatory Faucet with Lever Handles
	LDLS65	Ludlow Volta Wall Mounted Lavatory Faucet with Cross Handles
	LDLS75	Ludlow Volta Wall Mounted Lavatory Faucet with Lever Handles

IMPORTANT:

- To ensure this product is installed properly, you must read and follow these guidelines.
- The owner/user of this product must keep this information for future reference.
- This product must be installed by a professional licensed contractor and must be on-site prior to rough-in. This allows the installer to visualize the installation and verify the 8" on-center spread.
- Be sure your installation conforms to federal, state, and local codes. In the State of Massachusetts, all installations must comply with the rules and regulations set forth within 248 CMR.
- **FAUCET AND VALVE ARE SOLD SEPARATELY.**
- Inspect this product to ensure you have all the parts required for proper installation.
- This product is sold partially assembled but shown fully disassembled for illustrative and service purposes only.
- Check COUNTERTOP and SINK measurements to ensure the FAUCET projects far enough into the SINK.
- Use only a strap wrench or protected/smooth-jaw wrench on ANY finished surface.
- The use of certain plumber's putty may stain stone or tile surfaces.
- If further assistance is required, please contact Product Support at 1-800-927-2120 Monday through Friday, 8am - 6pm EST.
- Refer to the separate Service Parts Documents for available replacement parts

WATERWORKS

INSTALLATION GUIDELINES

STYLE No. LDLS80, LDLS90
Ludlow Wall Mounted Lavatory Faucet

STYLE No. LDLS65, LDLS75
Ludlow Volta Wall Mounted Lavatory Faucet

TECHNICAL DETAILS:

DETAIL	SPECIFICATION
DRAIN DEPTH	2" [51mm] MAX 3/8" [10mm] MIN
DRAIN HOLE DIAMETER	1-1/2" [41mm]
DRAIN STYLE	PUSH-TOUCH
HANDLE TURN ANGLE	QUARTER TURN
INLET CONNECTION - SPOUT	1/2" FEMALE NPT+
SPOUT REACH	8-1/4" [210mm]
WATER PRESSURE	85psi [6.0 bar] MAX 20psi [1.5 bar] MIN
WATER PRESSURE RECOMMENDED	45psi [3.0 bar]

† For INTERNATIONAL USE ONLY,

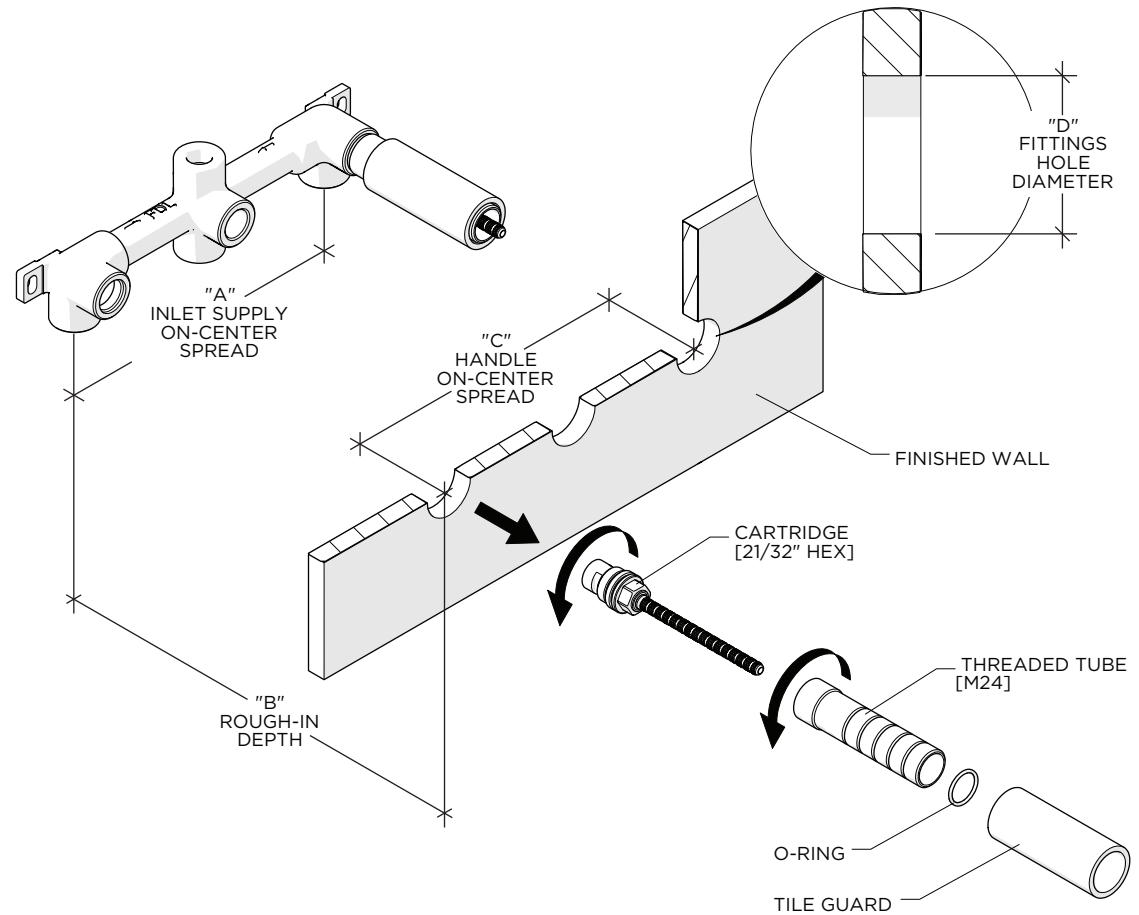
- A 1/2" Male NPT x 1/2" Male BSPP ADAPTER for the SPOUT is provided. The BSPP end of the ADAPTER may be field cut.

REQUIRED PLUMBING DETAILS:

- Universal Lavatory Wall Mounted Rough Valve (Used with Lever Handle Faucets) or,
 - **Style No. GULV25, GU25LV (International Use Only)**
- Universal Lavatory Wall Mounted Rough Valve (Used with Cross Handle Faucets),
 - **Style No. GULV27, GU27LV (International Use Only)**

ROUGH-IN AND VALVE PREPARATION:

- **Refer to the Installation Guidelines provided with the VALVE for complete rough-in installation details and related information.**
- Remove and discard the TILE GUARDS only when the finished wall surface (TILE or SLAB) is completed and the FAUCET is ready to be installed.
- **CAUTION:**
 - Mark and remove the THREADED TUBES **before** cutting. Do NOT cut the end with the internal threads.
 - Mark and remove the CARTRIDGES using a 21/32" [17mm] shower valve socket wrench (not provided) **before** cutting.



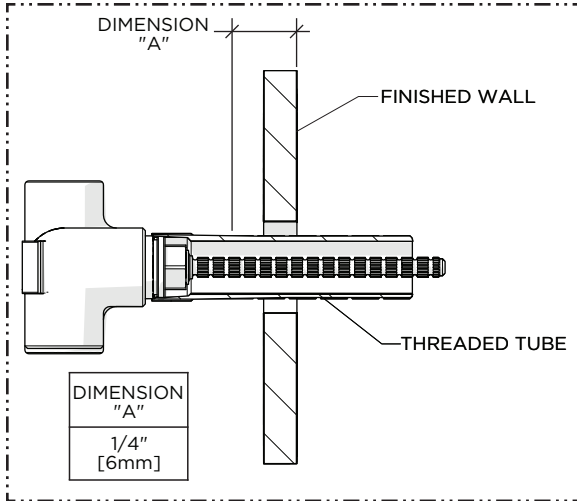
DIMENSION	VALUE
A	8" [203mm] NOT ADJUSTABLE
B	5-1/2" [140mm] MAX 2-5/8" [67mm] MIN
C	8" [203mm] NOT ADJUSTABLE
D	Ø1-3/8" [35mm]

WATERWORKS

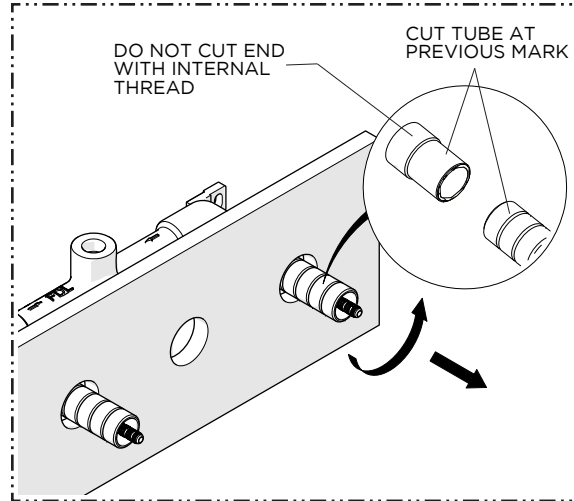
INSTALLATION GUIDELINES

STYLE No. LDLS80, LDLS90
Ludlow Wall Mounted Lavatory Faucet

STYLE No. LDLS65, LDLS75
Ludlow Volta Wall Mounted Lavatory Faucet

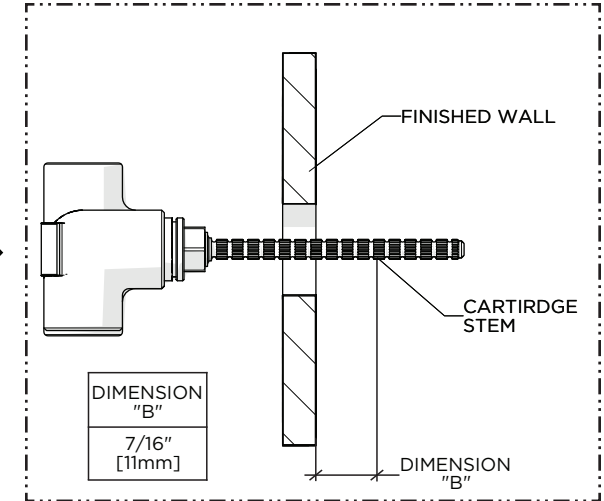


1. Remove the TILE GUARD when ready to install the TRIM then mark the THREADED TUBE behind the finished wall at the length listed.

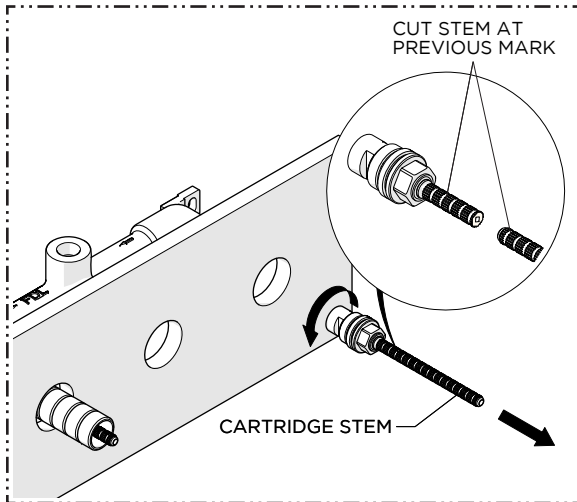


2. Remove the THREADED TUBE then cut the TUBE at the previous mark.

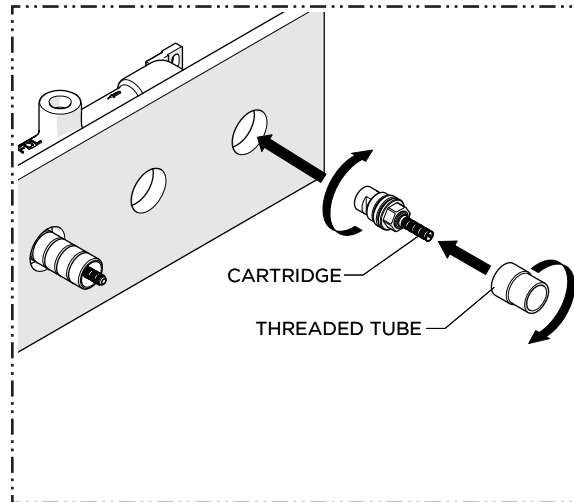
CAUTION: Do NOT cut the end with the internal threads.



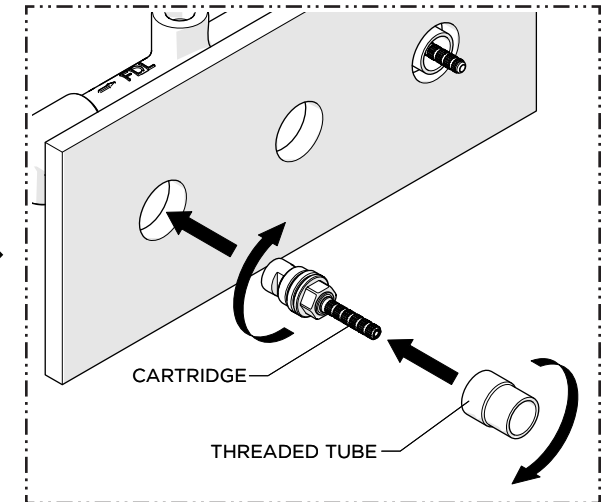
3. Mark the CARTRIDGE STEM in front of the finished wall at the length listed.



4. Remove the CARTRIDGE using a 21/32" [17mm] shower valve socket wrench (not provided) then cut the STEM at the previous mark.



5. Thread and securely tighten the CARTRIDGE back into the VALVE then thread the THREADED TUBE back onto the CARTRIDGE.



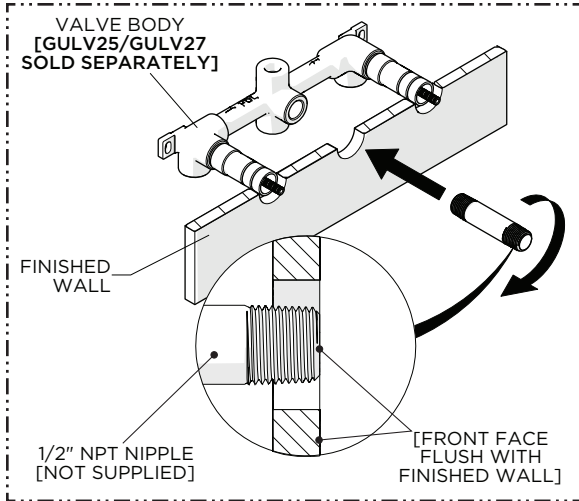
6. Repeat Steps 1 - 5 to cut the second (2ND) THREADED TUBE and CARTRIDGE STEM.

WATERWORKS

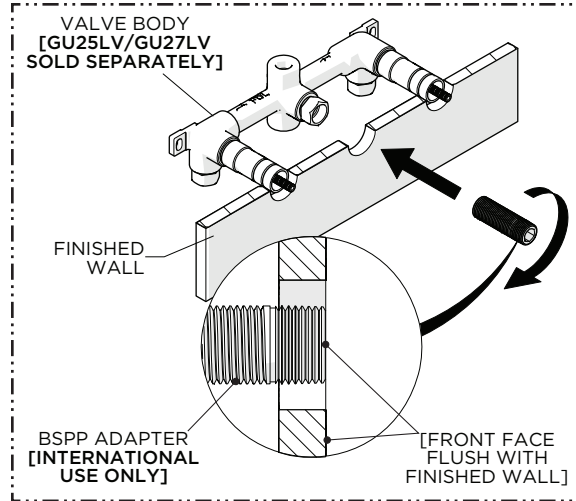
INSTALLATION GUIDELINES

STYLE No. LDLS80, LDLS90
Ludlow Wall Mounted Lavatory Faucet

STYLE No. LDLS65, LDLS75
Ludlow Volta Wall Mounted Lavatory Faucet

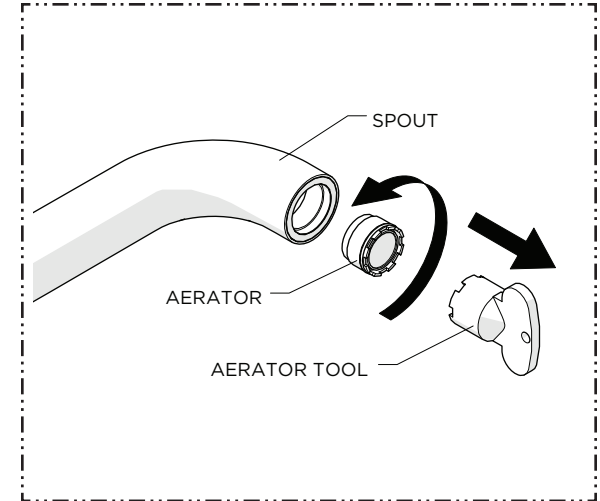


7. Thread a 1/2" NPT x 1/2" NPT NIPPLE (not supplied) of appropriate length into the VALVE and ensure the front face of the NIPPLE is **flush** with the finished wall.

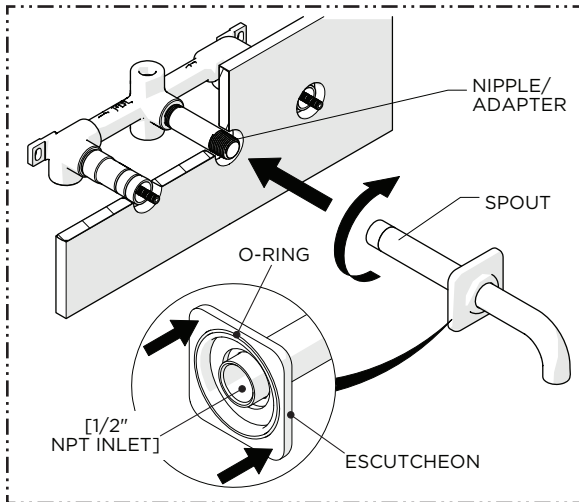


8. Thread and securely tighten the BSPP ADAPTER into the VALVE and ensure the front face of the ADAPTER is **flush** with the finished wall.

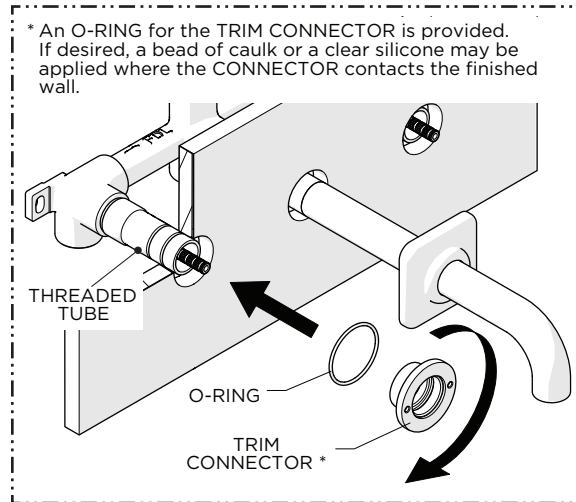
NOTE: The BSPP end of the ADAPTER may be field cut.



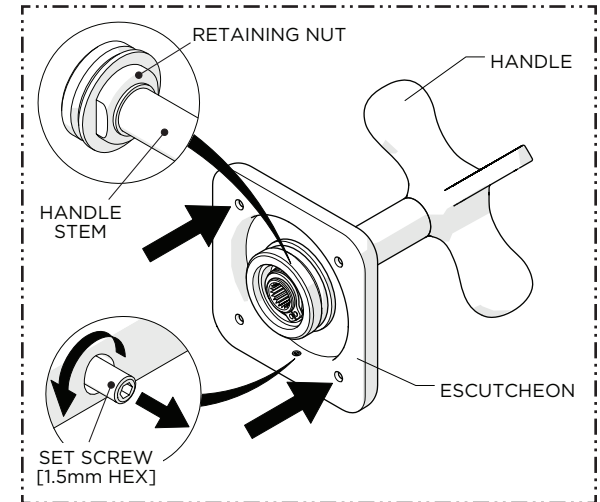
9. Using the TOOL provided, remove the AERATOR from the SPOUT.



10. Carefully slide the ESCUTCHEON and O-RING provided up the SPOUT then thread and securely tighten the SPOUT onto the NPT NIPPLE or BSPP ADAPTER.



11. Using the O-RING provided, thread the TRIM CONNECTOR onto the THREADED TUBE.



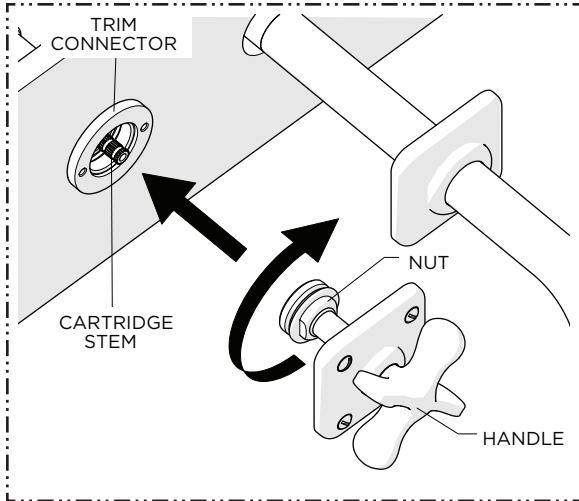
12. Loosen, but do NOT remove, the SET SCREW at the base of the ESCUTCHEON then **carefully** slide the ESCUTCHEON up the HANDLE STEM to expose the RETAINING NUT.

WATERWORKS

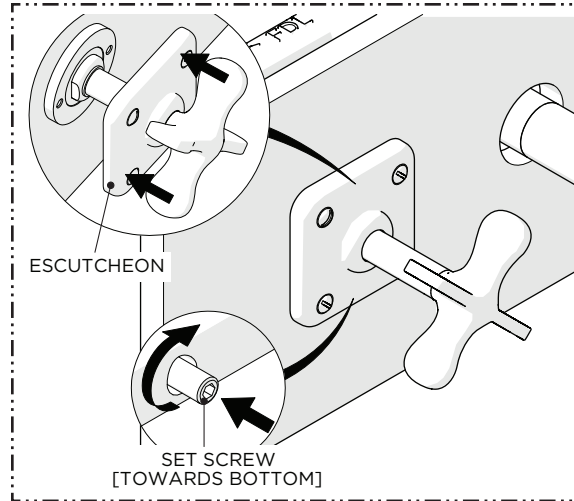
INSTALLATION GUIDELINES

STYLE No. LDLS80, LDLS90
Ludlow Wall Mounted Lavatory Faucet

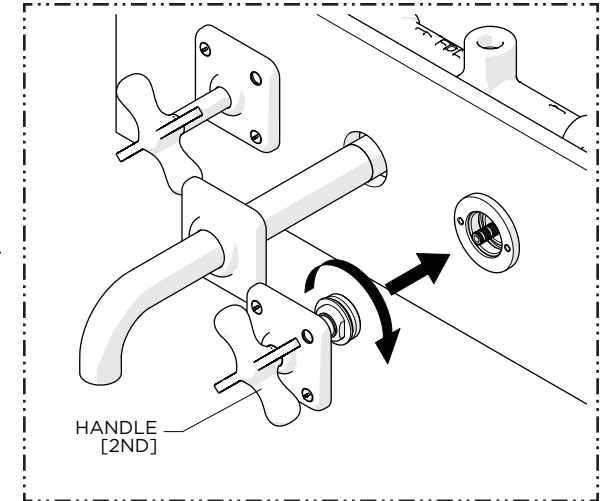
STYLE No. LDLS65, LDLS75
Ludlow Volta Wall Mounted Lavatory Faucet



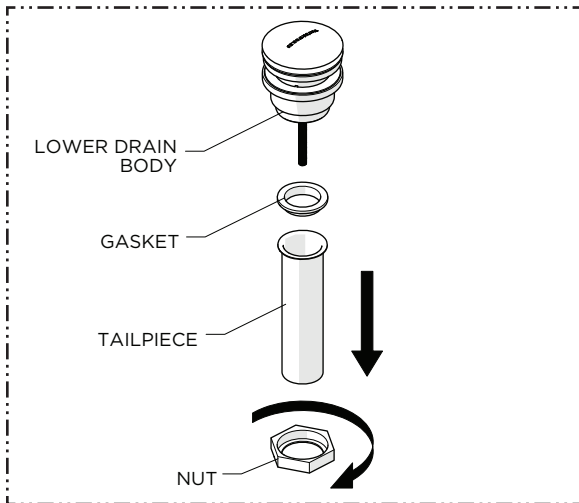
13. Place the HANDLE over the CARTRIDGE STEM in the desired orientation then thread and securely tighten the RETAINING NUT into the TRIM CONNECTOR.



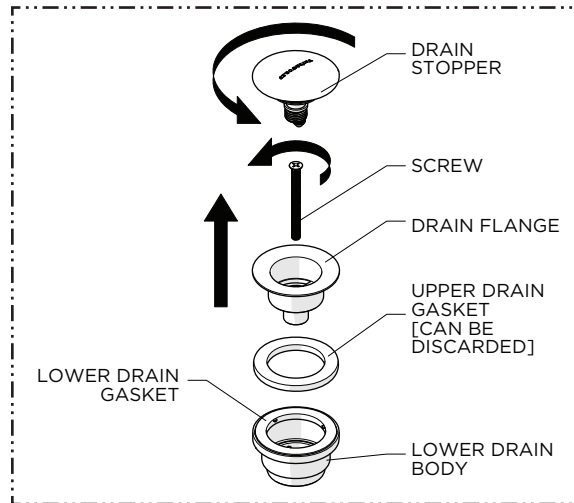
14. Carefully slide the ESCUTCHEON down the HANDLE STEM until it stops then thread and securely tighten the SET SCREW.



15. Repeat Steps 11 through 14 to install the second (2ND) HANDLE.

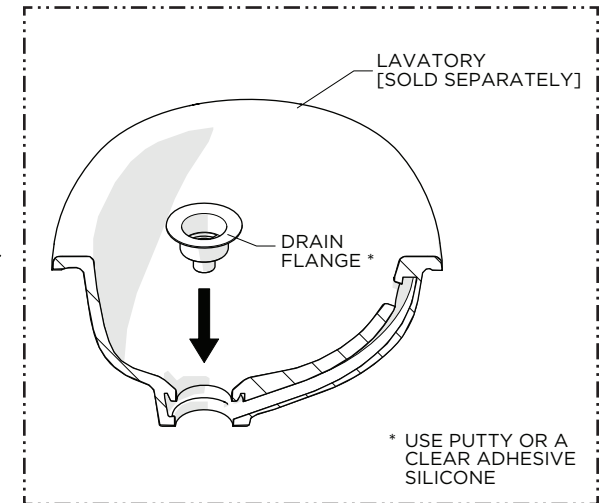


16. Unthread and remove the NUT, TAILPIECE, and GASKET from the LOWER DRAIN BODY.



17. Remove the DRAIN STOPPER from the DRAIN FLANGE then unthread the SCREW from the LOWER DRAIN BODY.

CAUTION: Do NOT remove or discard the LOWER DRAIN GASKET.



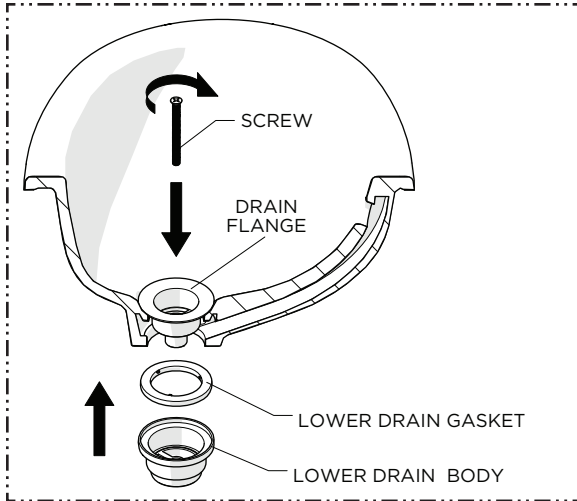
18. Set the DRAIN FLANGE into the lavatory (sold separately) using putty or a clear silicone.

WATERWORKS

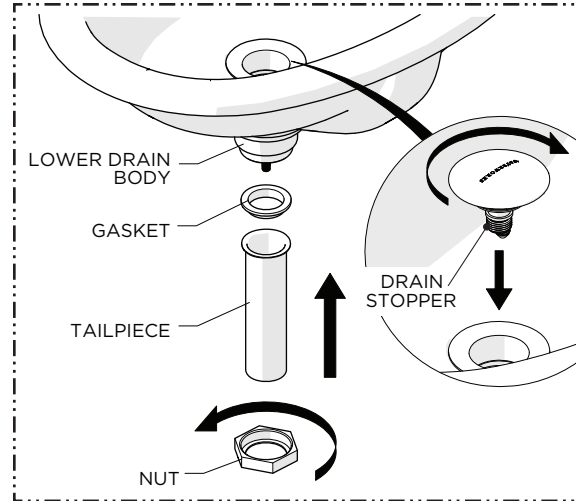
INSTALLATION GUIDELINES

STYLE No. LDLS80, LDLS90
Ludlow Wall Mounted Lavatory Faucet

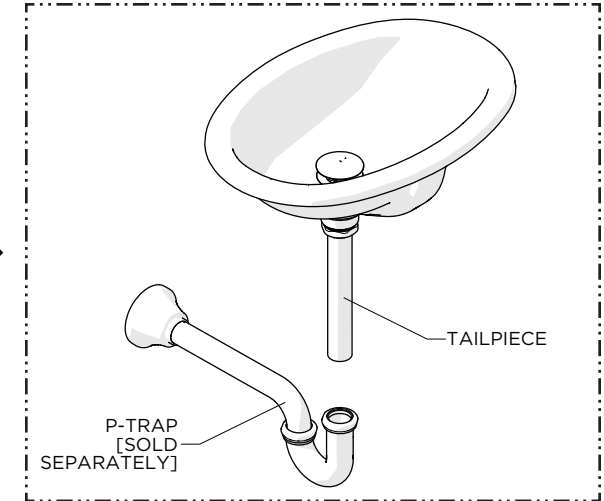
STYLE No. LDLS65, LDLS75
Ludlow Volta Wall Mounted Lavatory Faucet



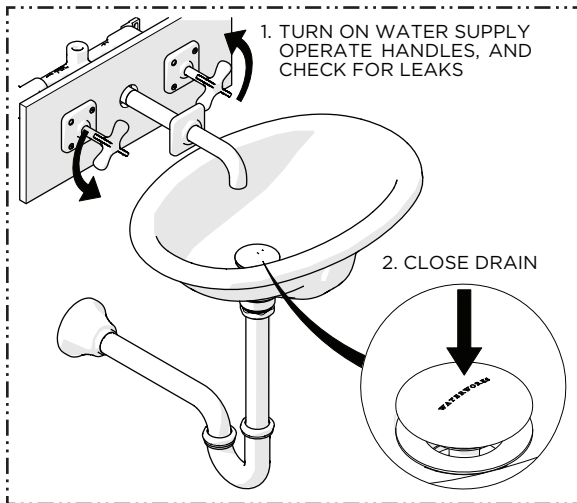
19. Insert the SCREW provided into the FLANGE then thread and securely tighten the SCREW into the LOWER DRAIN BODY making sure the LOWER DRAIN GASKET makes a full seal on the underside of the LAVATORY.



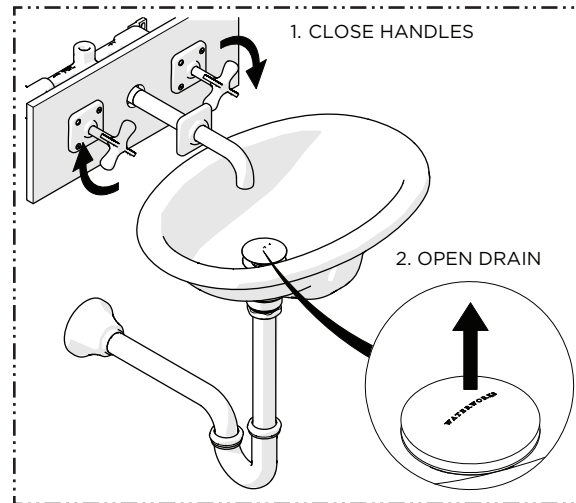
20. Re-install the DRAIN STOPPER and TAILPIECE using the GASKET and NUT provided.



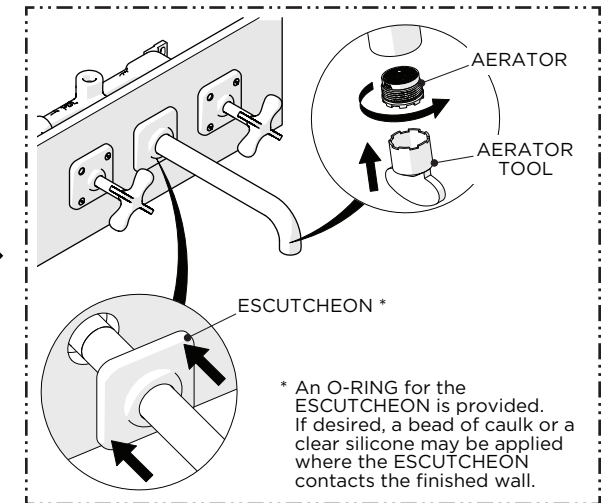
21. Make final P-TRAP (sold separately) connections.



22. Turn on the water supply, operate the HANDLES to flush out the supply lines, and inspect all connections for leaks then close the DRAIN to ensure it functions properly.



23. Close the HANDLES and open the DRAIN making sure the water drains properly.



24. Slide the ESCUTCHEON down the SPOUT until it contacts the finished wall then re-install the AERATOR and finish the installation.

* An O-RING for the ESCUTCHEON is provided. If desired, a bead of caulk or a clear silicone may be applied where the ESCUTCHEON contacts the finished wall.