

Henry

HKM211

Henry Gooseneck Kitchen Faucet with Lever Handle and Spray



SHOWN IN HENRY GOOSENECK KITCHEN FAUCET WITH LEVER HANDLE AND SPRAY | HKM211

TECHNICAL DETAILS

ADA Compliance: Yes
 Deck Thickness Maximum: 79 mm
 Fittings Hole Diameter: 35 mm
 Handle Turn Angle: Quarter Turn
 Handshower Spray Hose Length: 1.5 m
 Inlet Connection Size: 3/8"
 Inlet Connection Type: Compression Connection
 Hoses
 Restricted Maximum Flow Rate: 6.6 liters/min
 Spout Swivel: Y
 Spray Included In Unit: Y
 Valve Material: Brass and Ceramic
 Water Pressure Maximum: 6.0 bar
 Water Pressure Minimum: 1.5 bar
 Water Pressure Recommended: 3.0 bar

INSPIRATION

Celebrating the connection of industry and art, Henry transitions effortlessly between modern, traditional, and classic settings. These iconic fittings blend 19th-century industrial and artistic references for a look that's forever of the moment—familiar yet wholly original.

CODES & STANDARDS

HKM211X, NSF/ANSI/CAN 61:Q < 1, NSF/ANSI/CAN 372,
 ASME A112.18.1/CSA B125.1

PRODUCT FEATURES

Features Lever Handle

Stocked In Chrome, Nickel, Brass and Dark Nickel

Single function sidespray

CERTIFICATIONS



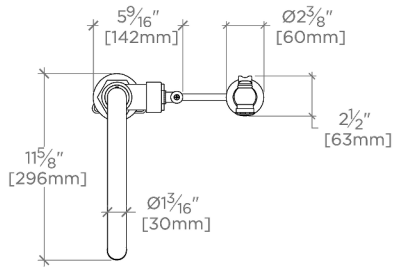
PRODUCT (NOTES)

WATERWORKS

Henry

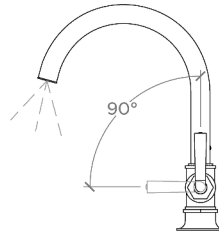
HKM211

Henry Gooseneck Kitchen Faucet with Lever Handle and Spray

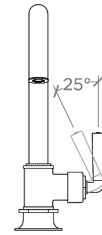


TOP VIEW

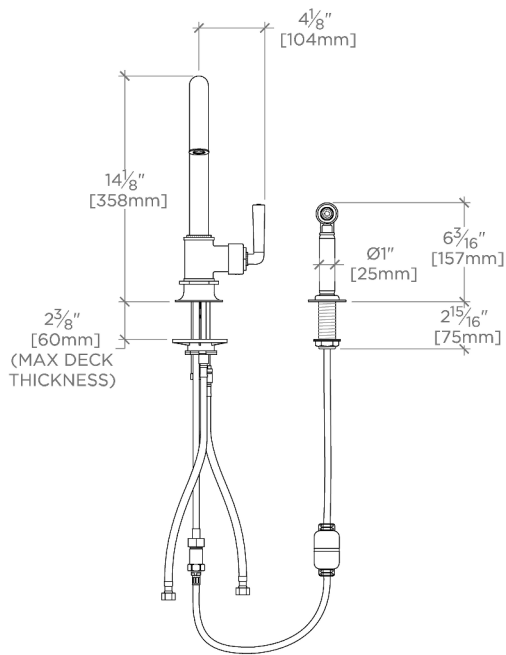
SCALE: 1"=1'-0"



HANDLE OPERATION

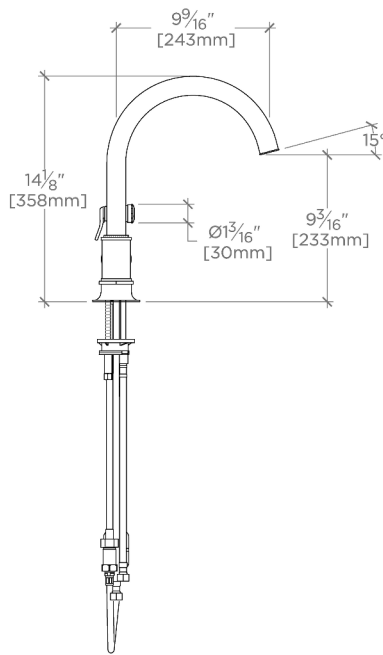


SCALE: 1"=1'-0"



FRONT VIEW

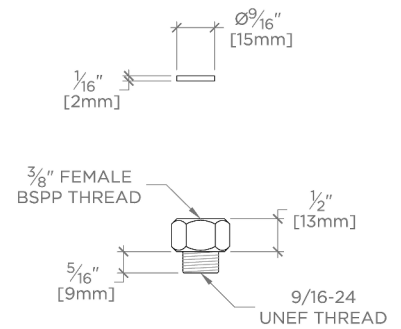
SCALE: 1"=1'-0"



SIDE VIEW

SCALE: 1"=1'-0"

NOTE:
ADAPTER AND GASKET (x2) INCLUDED -
INTERNATIONAL USE ONLY



ADAPTER

NOT TO SCALE