

LUDLOW

Ludlow Lavatory Faucet with Lever Handles

LDLS10



SHOWN IN LUDLOW LOW PROFILE THREE HOLE DECK MOUNTED LAVATORY FAUCET WITH METAL LEVER HANDLES]

TECHNICAL DETAILS

ADA Compliance: Yes
 Deck Thickness Maximum: 1 15/16"
 Deck Thickness Minimum: 3/8"
 Escutcheon Primary Material: Brass
 Fittings Hole Diameter: 1 1/4"
 Flow Restriction Options: 1.0 , 1.2 , 1.5 , 1.75, 2.2
 Handle Spread Maximum: 12"
 Handle Spread Minimum: 8"
 Handle Turn Angle: Quarter Turn
 Depth / Width: 7 7/16"
 Height: 3 5/16"
 Inlet Connection Size: 1/2"
 Inlet Connection Type: Male with Supply Nut
 Inlet Supply Spread Maximum: 12"
 Inlet Supply Spread Minimum: 8"
 Installation Type: Deck Mounted
 Length: 15"
 Number of Handles: Two
 Number of Holes: Three Hole
 Primary Material: Brass
 Spout Swivel: N
 Suggested Application: Bath
 Valve Material: Ceramic
 Water Pressure Maximum: 85.0 psi
 Water Pressure Minimum: 20.0 psi
 Water Pressure Recommended: 45.0 psi

INSPIRATION

A touch of classic Americana. Our fresh take on iconic industrial design has clean lines and dimensional details.

CODES & STANDARDS

Code # LDLS10Y: Complies with ASME A112.18.1/CSA B125.1, ASME A112.18.2/CSA B125.2, NSF 61, NSF 372, CEC, ADA and 0.25% Weighted Average Lead Content. Certified with IAPMO, cUPC, NSF, CEC, State of MA, WRAS and EPA Watersense.

PRODUCT FEATURES

Push touch USA style drain included.

This item is stocked in a Chrome, Nickel and Brass finishes.

Lever Handles

Standard flow rate is 1.2gpm (4.5 L/min) and meets State of California requirements. Also available in other flow options. Contact a sales associate for details.

CERTIFICATIONS

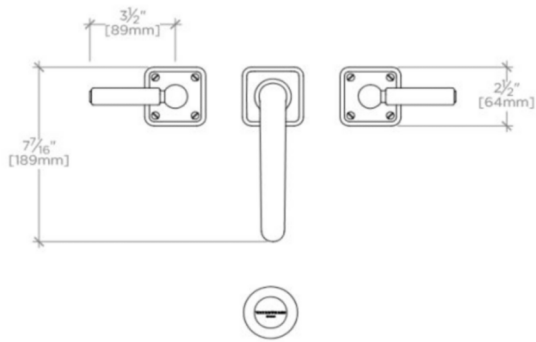


WATERWORKS

LUDLOW

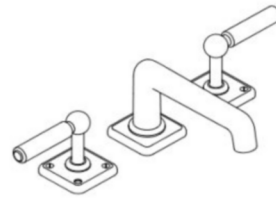
LDLS10

Ludlow Lavatory Faucet with Lever Handles



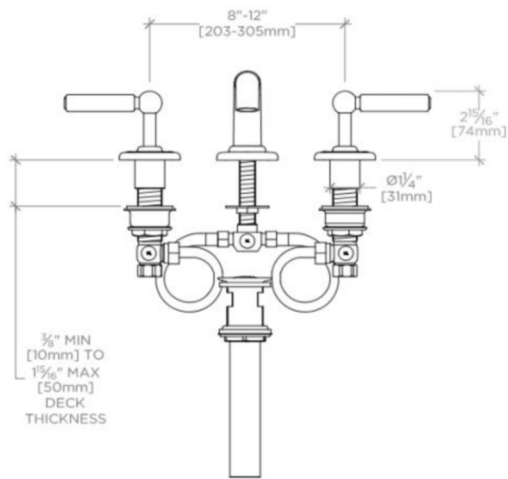
TOP VIEW

SCALE: 1/2"=1'-0"



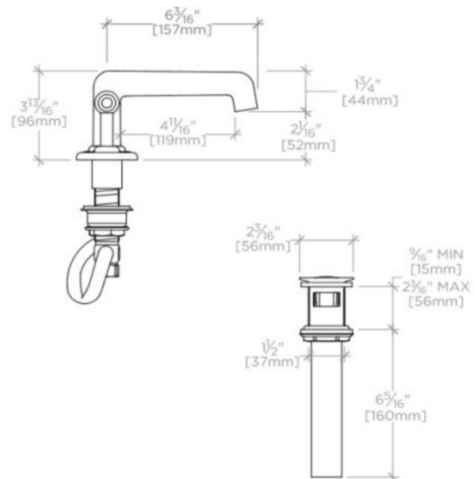
ISO VIEW

SCALE: 1/2"=1'-0"



FRONT VIEW

SCALE: 1/2"=1'-0"



SIDE VIEW

SCALE: 1/2"=1'-0"