

## LUDLOW

LDLS90

Ludlow Wall Mounted Lavatory Faucet with Lever Handles



SHOWN IN LUDLOW WALL MOUNTED LAVATORY FAUCET WITH LEVER HANDLES | LDLS90

### TECHNICAL DETAILS

ADA Compliance: Yes  
 Drain Assembly Materials: Brass  
 Drain Depth Maximum: 2"  
 Drain Depth Minimum: 0.38"  
 Drain Hole Diameter: 1 1/2"  
 Drain Style: USA Push Touch  
 Escutcheon Primary Material: Brass  
 Fittings Hole Diameter: 1 3/8"  
 Flow Restriction Options: 1.2  
 Handle Spread Maximum: 8"  
 Handle Spread Minimum: 8"  
 Handle Turn Angle: Quarter Turn  
 Height: 4"  
 Inlet Connection Size: 1/2"  
 Inlet Connection Type: Female NPT  
 Inlet Supply Spread Maximum: 8"  
 Inlet Supply Spread Minimum: 8"  
 Length: 15"  
 Number Of Holes: Three Hole  
 Primary Material: Brass  
 Restricted Maximum Flow Rate: 1.2 gpm  
 Valve Material: Brass, Ceramic  
 Water Pressure Maximum: 85.0 psi  
 Water Pressure Minimum: 20.0 psi  
 Water Pressure Recommended: 45.0 psi

### INSPIRATION

Our fresh take on American industrial design comes in three styles, each of them clean-lined, and distinct to Waterworks.

### CODES & STANDARDS

LDLS90X, NSF/ANSI/CAN 61:Q < 1, NSF/ANSI/CAN 372, ASME A112.18.1/CSA B125.1, CEC, State of MA

### PRODUCT FEATURES

Lever Handles

Includes a Universal Push Touch Drain sized to fit US and Euro sink drain openings.

Requires Rough Valve, sold separately: GULV25 or GULV27. BSPP Threaded Adapter included for International Plumbing Installations.

Stocked in a Chrome, Nickel and Brass

Available in 1.2gpm (4.5L/min) flow rate

### CERTIFICATIONS



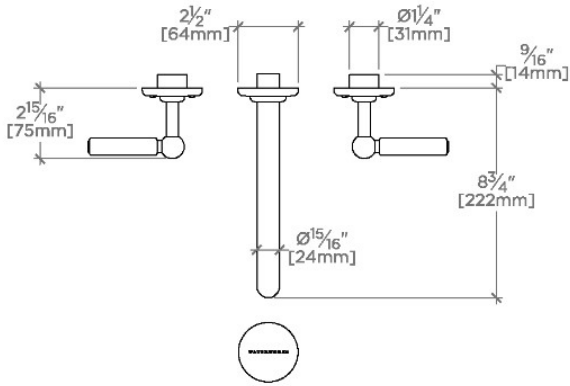
### PRODUCT (NOTES)

# WATERWORKS

## LUDLOW

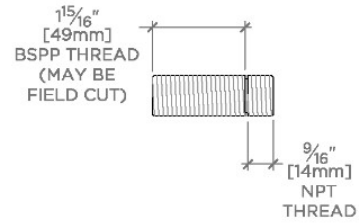
## LDLS90

Ludlow Wall Mounted Lavatory Faucet with Lever Handles

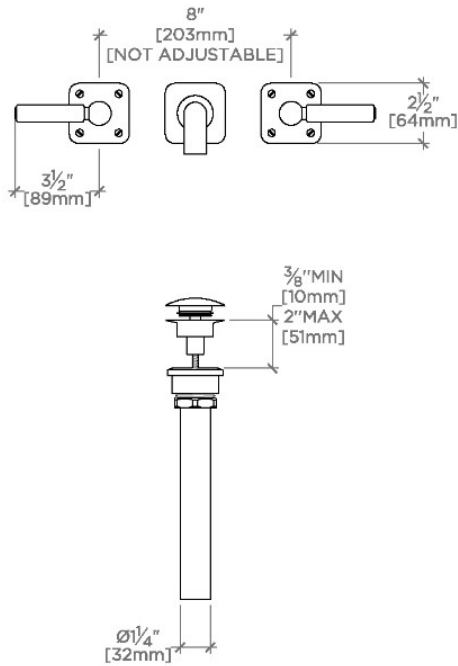


TOP VIEW

SCALE: 1/2"=1'-0"

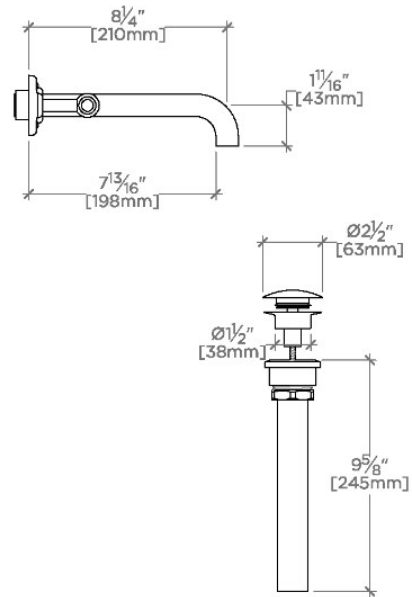


ADAPTER INCLUDED - INTERNATIONAL USE ONLY



FRONT VIEW

SCALE: 1/2"=1'-0"



SIDE VIEW

SCALE: 1/2"=1'-0"