

## Flyte

FLXT30

Flyte Wall Mounted Exposed Tub Filler with Handshower and Lever Handles



SHOWN IN FLYTE WALL MOUNTED EXPOSED TUB FILLER WITH HANDSHOWER AND LEVER HANDLES | FLXT30

### TECHNICAL DETAILS

ADA Compliance: No  
 Adjustable Versus Fixed Spray: Fixed Spray  
 Depth/Width: 287 mm  
 Escutcheon Primary Material: Brass  
 Fittings Hole Diameter: 32 mm  
 Flow Restriction Options: 2.0, 1.75, 1.5, 0.92  
 Handle Spread Maximum: 265 mm  
 Handle Spread Minimum: 265 mm  
 Handle Turn Angle: Quarter Turn  
 Handshower Spray Hose Length: 1.5 m  
 Height: 127 mm  
 Inlet Connection Size: 3/4"  
 Inlet Connection Type: Female NPT  
 Inlet Supply Spread Maximum: 149 mm  
 Inlet Supply Spread Minimum: 149 mm  
 Installation Type: Wall Mounted  
 Integrated Diverter: N  
 Integrated Spray: N  
 Length: 286 mm  
 Number Of Handles: Three  
 Number Of Holes: Two Hole  
 Pivot: N  
 Primary Material: Brass  
 Spout Swivel: N  
 Spray Included In Unit: N  
 Suggested Application: Bath  
 Valve Material: Ceramic  
 Water Pressure Maximum: 6.0 bar  
 Water Pressure Minimum: 1.5 bar  
 Water Pressure Recommended: 3.0 bar

### INSPIRATION

Pure Modernism. Like minimalist works of art, the elegant proportions of these light, fluid elements bring sculptural reference to a room.

### CODES & STANDARDS

ASME A112.18.1/CSA B125.1, Waterworks Handshowers use check valves compliant to ASME A112.18.3 for backflow protection. CEC, State of MA

### PRODUCT FEATURES

Lever Handles

Diverter Handle Allows Bather to Move Water From Spout to Handshower

Stocked in Chrome, Nickel, Brass and Matte Black

Unrestricted Flow for Tub Spout. Handshower Available in 1.75gpm (4.5L/min) Flow Rate

### CERTIFICATIONS



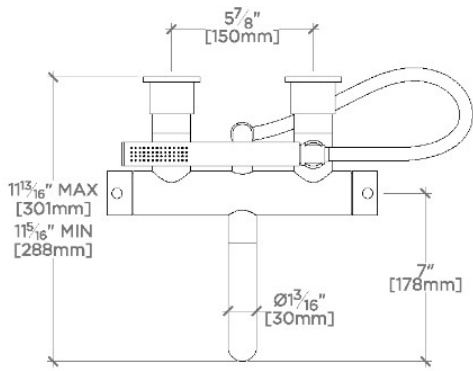
### PRODUCT (NOTES)

Includes wall unions.

## Flyte

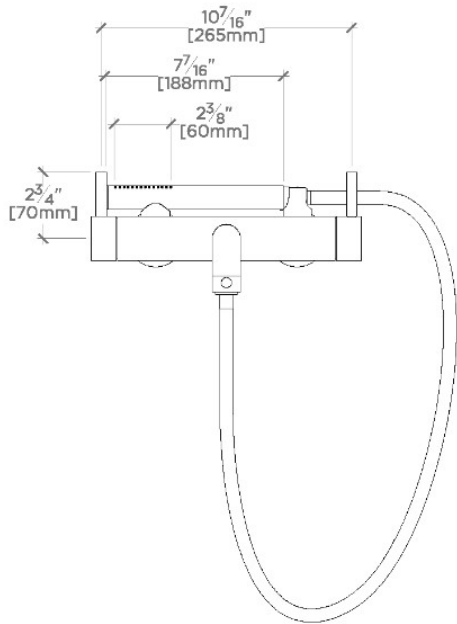
FLXT30

Flyte Wall Mounted Exposed Tub Filler with Handshower and Lever Handles



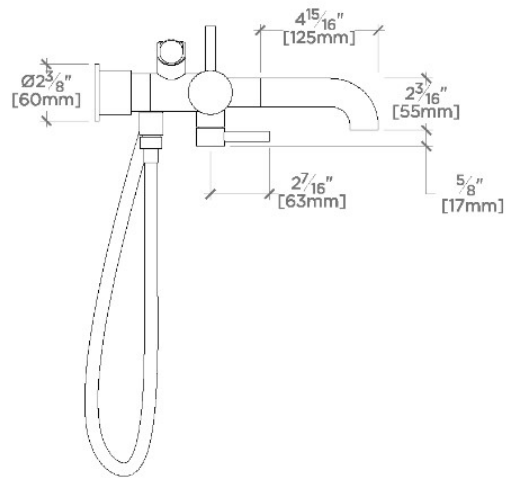
TOP VIEW

SCALE: 1 1/2"=1'-0"



FRONT VIEW

SCALE: 1 1/2"=1'-0"



SIDE VIEW

SCALE: 1 1/2"=1'-0"