

DASH

DSTH32

Dash Metal Lever Handle Thermostatic with Metal Cross Handle
Two way Diverter Trim



SHOWN IN DASH METAL LEVER HANDLE THERMOSTATIC WITH METAL CROSS HANDLE TWO WAY DIVERTER TRIM | DSTH32

TECHNICAL DETAILS

Control Valve Rough-in Depth Maximum: 133 mm
Control Valve Rough-in Depth Minimum: 76 mm
Escutcheon Primary Material: Brass
Fittings Hole Diameter: 133 mm
Handle Spread Maximum: 144 mm
Handle Spread Minimum: 144 mm
Handle Turn Angle: Quarter Turn Each Way
Depth / Width: 116 mm
Height: 319 mm
Installation Type: Wall Mounted
Integrated Diverter: Y
Length: 171 mm
Number of Handles: Two
Primary Material: Brass
Suggested Application: Bath

INSPIRATION

A blend of art and function, Dash pays homage to design elements of the 1930s with pared-down shapes, softened curves and minimal details.

PRODUCT FEATURES

Metal Cross Handle

The thermostatic valve and two way diverter trims are housed neatly together on an oval back plate for a clean install in the shower.

Stocked in Nickel, Chrome, Unlacquered Brass, and Matte Nickel finishes

Requires valve rough GUTH49(USA) or GU49TH(UK) sold separately

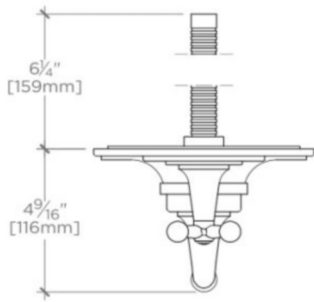
PRODUCT (NOTES)

Product Requires Universal Thermostatic Valve with Integrated Two Way Diverter with Shutoff Valve [GUTH49]. Valve Sold Separately.

DASH

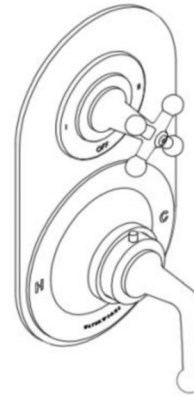
DSTH32

Dash Metal Lever Handle Thermostatic with Metal Cross Handle
Two way Diverter Trim



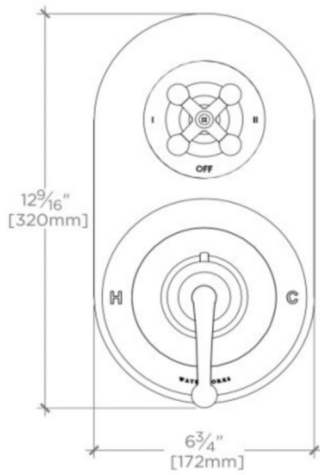
TOP VIEW

SCALE: 2"=1'-0"



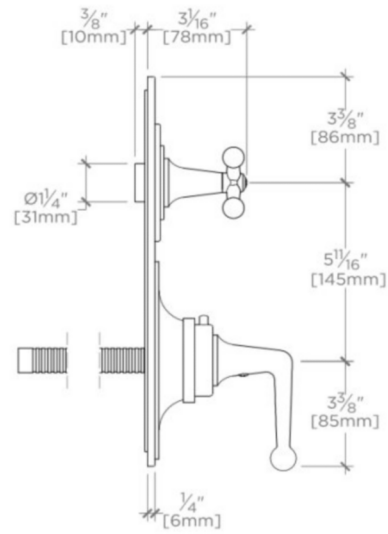
ISO VIEW

SCALE: 2"=1'-0"



FRONT VIEW

SCALE: 2"=1'-0"



SIDE VIEW

SCALE: 2"=1'-0"