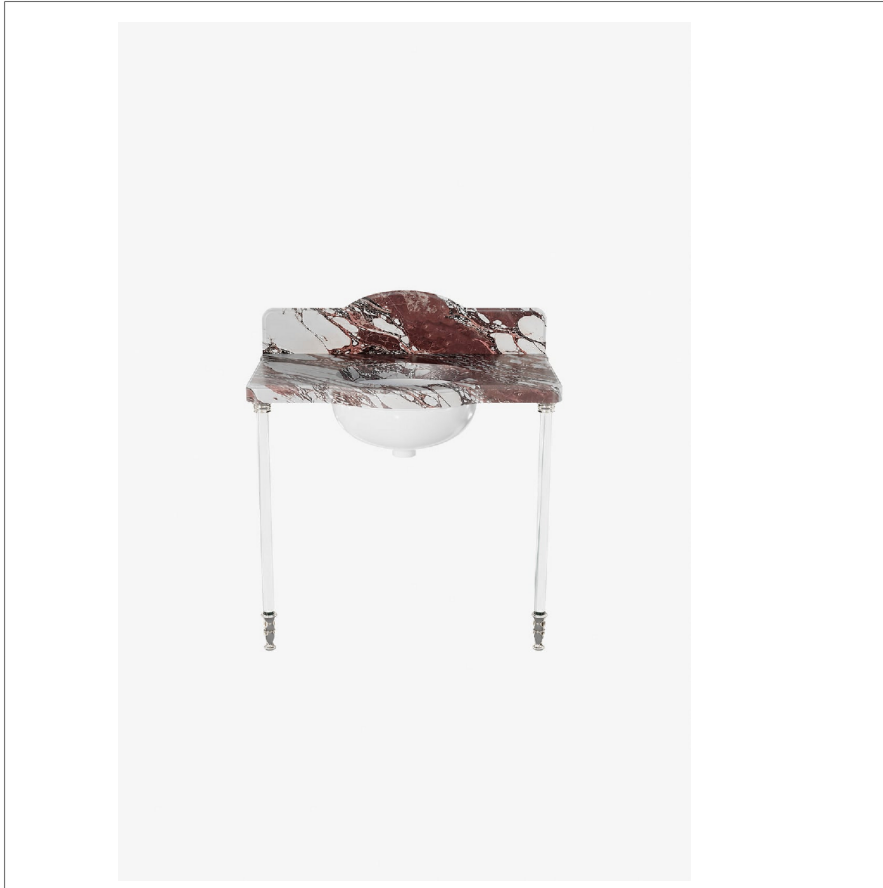


Boulevard

BDWS36

Glass Round Two Leg Single Washstand



SHOWN IN GLASS ROUND TWO LEG SINGLE WASHSTAND | BDWS36

TECHNICAL DETAILS

Depth To Overflow: 68 mm
Depth/Width: 67 mm
Drain Hole Depth: 48 mm
Drain Hole Diameter: 44 mm
Drain Style: Center Drain
Fittings Hole Diameter: 35 mm
Height: 931 mm
Length: 914 mm

INSPIRATION

Boulevard channels pure 1930s glamour with strong silhouettes, dramatic scale and lavish details that make every day feel a little more luxurious. A mix of high-tech precision and old-school craftsmanship creates perfectly crisp lines and smooth curves.

CODES & STANDARDS

PRODUCT FEATURES

Designed by and exclusive to Waterworks

Solid Brass

Slab and backsplash carved from a solid block of stone.

Includes sink and choice of 5CM stone top in one of our 8 standard offerings

CERTIFICATIONS

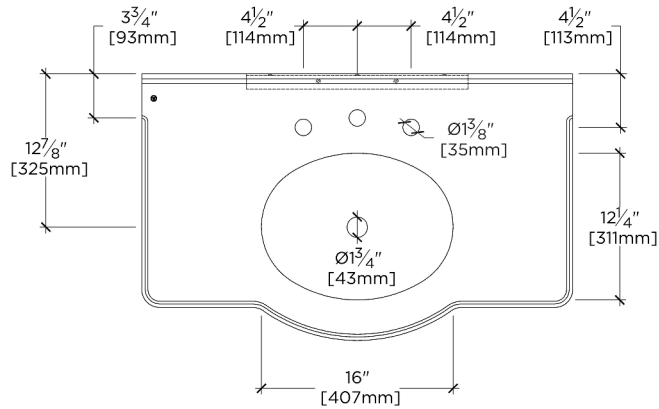
PRODUCT (NOTES)

WATERWORKS

Boulevard

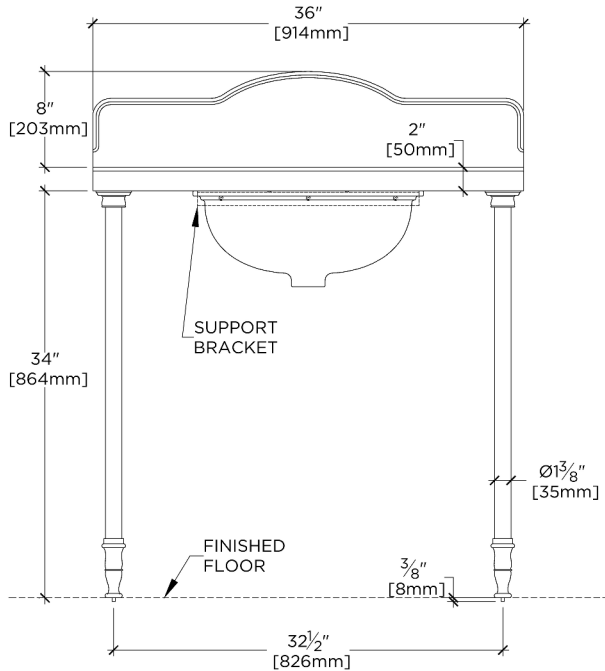
BDWS36

Glass Round Two Leg Single Washstand



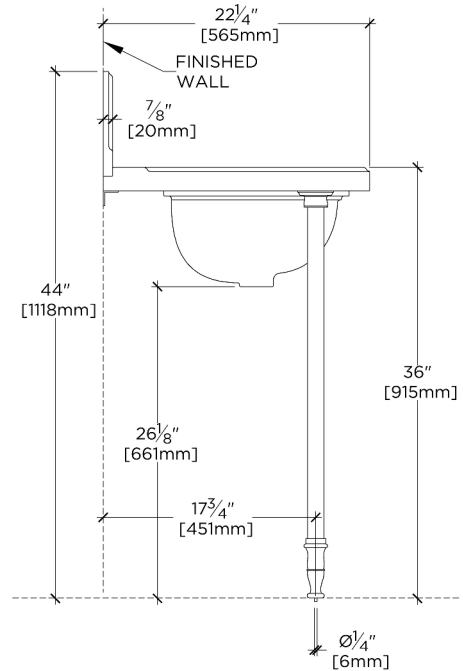
TOP VIEW

SCALE: 3/4"=1'-0"



FRONT VIEW

SCALE: 3/4"=1'-0"



SIDE VIEW

SCALE: 3/4"=1'-0"